



**LED**

**ARCHITECTURAL**

**LIGHTING**

**PRODUCT CATALOGUE**

**2022-2023**



# LED DOWNLIGHT

## EAS-DL146-JR6949

### Technical Details

- Die casting process, simple and exquisite appearance, and good heat dissipation performance.
- The new design of narrow edge frame to blend the ceiling perfectly.
- Split structure and the design of frame embedded to avoid ceiling damage during maintenance.
- The reflector structure can make extreme anti-glare and excellent lighting effect.
- Silver mirror, dark chrome, champagne gold, multi-color reflectors can be provided, suitable for various environments.
- UGR<10
- CRI>80
- IP44



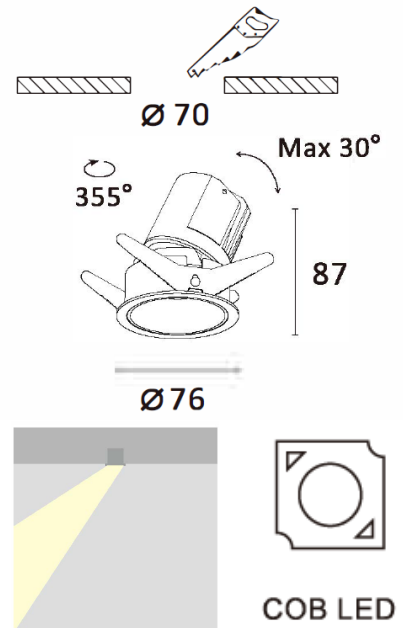
POWER	CCT	LUMEN OUTPUT	BEAM ANGLE	COLOR FINISH	CONTROL GEAR (LED DRIVER)
6W 10W	2700K 3000K 4000K	405LM 667LM	15° 24° 38°	White Silver Black	Non Dimmable 1-10V Dimmable DALI Dimmable Triac Dimmable

# LED DOWNLIGHT

## EAS-DL146-JR6946

### Technical Details

- Die casting process, simple and exquisite appearance, and good heat dissipation performance.
- The new design of narrow edge frame to blend the ceiling perfectly.
- Split structure and the design of frame embedded to avoid ceiling damage during maintenance.
- The reflector structure can make extreme anti-glare and excellent lighting effect.
- Vertical rotation at 30 degrees, horizontal rotation at 355 degrees, suitable for various applications.
- Silver mirror, dark chrome, champagne gold, multi-color reflectors can be provided, suitable for various environments.
- UGR<10.
- CRI>80
- IP44



POWER	CCT	LUMEN OUTPUT	BEAM ANGLE	COLOR FINISH	CONTROL GEAR (LED DRIVER)
6W 10W	2700K 3000K 4000K	405LM 667LM	15° 24° 38°	White Silver Black	Non Dimmable 1-10V Dimmable DALI Dimmable Triac Dimmable

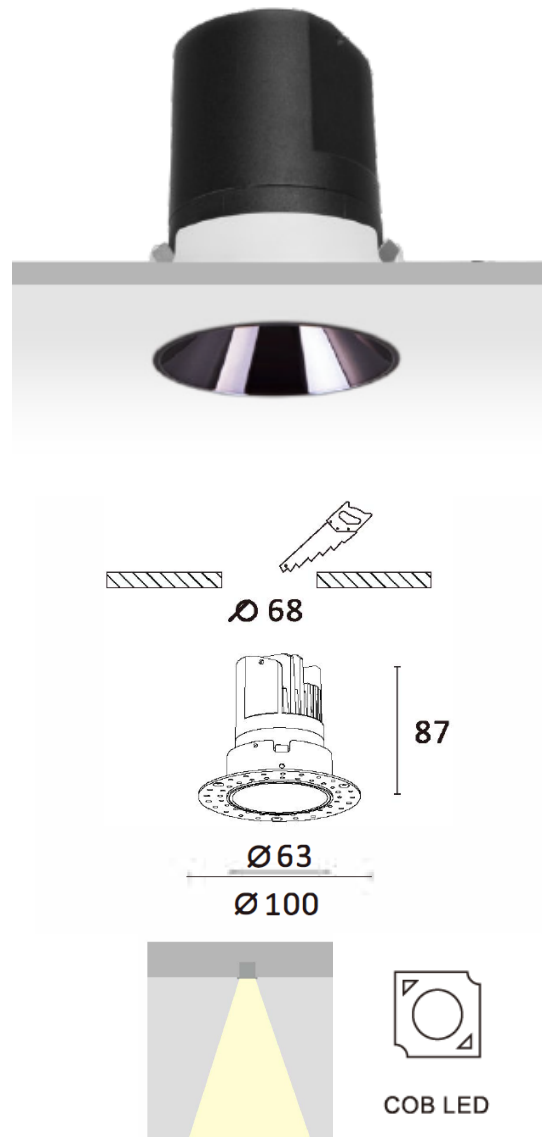


# LED DOWNLIGHT

## EAS-DL146-JR6948

### Technical Details

- Die casting process, simple and exquisite appearance, and good heat dissipation performance.
- The new design of narrow edge frame to blend the ceiling perfectly.
- Split structure and the design of frame embedded to avoid ceiling damage during maintenance.
- The reflector structure can make extreme anti-glare and excellent lighting effect.
- Silver mirror, dark chrome, champagne gold, multi-color reflectors can be provided, suitable for various environments.
- UGR<10
- CRI>80
- IP44



POWER	CCT	LUMEN OUTPUT	BEAM ANGLE	COLOR FINISH	CONTROL GEAR (LED DRIVER)
6W 10W	2700K 3000K 4000K	405LM 667LM	15° 24° 38°	White Silver Black	Non Dimmable 1-10V Dimmable DALI Dimmable Triac Dimmable

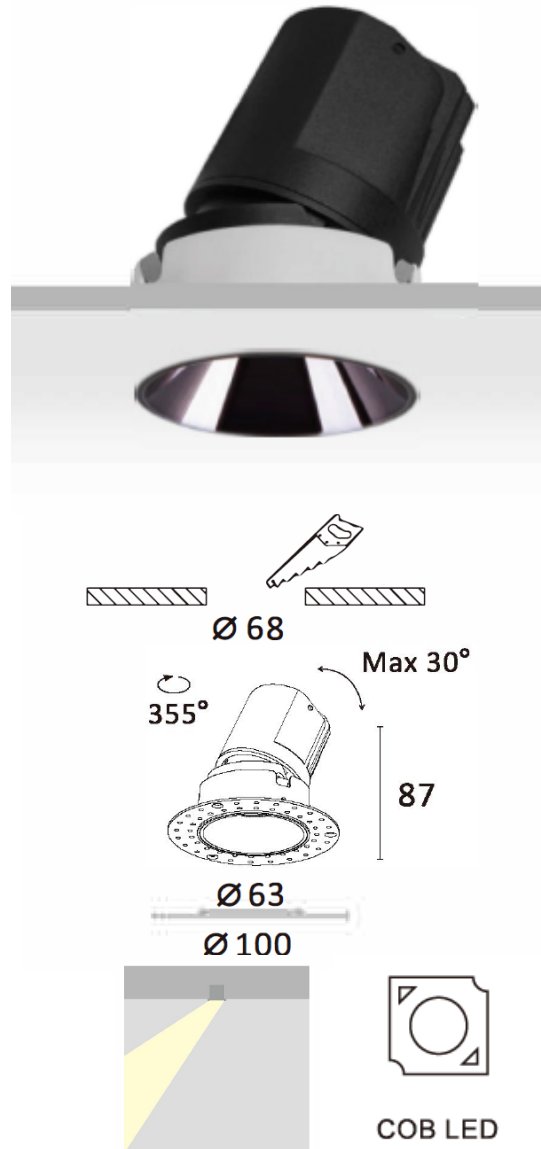


# LED DOWNLIGHT

## EAS-DL146-JR6947

### Technical Details

- Die casting process, simple and exquisite appearance, and good heat dissipation performance.
- The new design of narrow edge frame to blend the ceiling perfectly.
- Split structure and the design of frame embedded to avoid ceiling damage during maintenance.
- The reflector structure can make extreme anti-glare and excellent lighting effect.
- Vertical rotation at 30 degrees, horizontal rotation at 355 degrees, suitable for various applications.
- Silver mirror, dark chrome, champagne gold, multi-color reflectors can be provided, suitable for various environments.
- UGR<10
- CRI>80
- IP44 / IP65



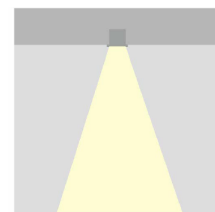
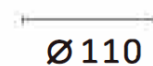
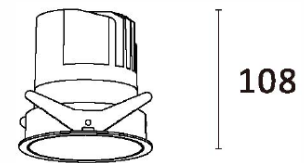
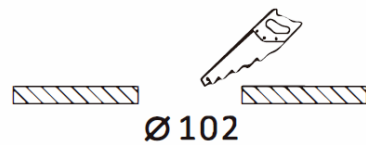
POWER	CCT	LUMEN OUTPUT	BEAM ANGLE	COLOR FINISH	CONTROL GEAR (LED DRIVER)
6W 10W	2700K 3000K 4000K	405LM 687LM	15° 24° 38°	White Silver Black	Non Dimmable 1-10V Dimmable DALI Dimmable Triac Dimmable

# LED DOWNLIGHT

## EAS-DL146-JR6299

### Technical Details

- Die casting process, simple and exquisite appearance, and good heat dissipation performance.
- The new design of narrow edge frame to blend the ceiling perfectly.
- Split structure and the design of frame embedded to avoid ceiling damage during maintenance.
- The reflector structure can make extreme anti-glare and excellent lighting effect.
- Vertical rotation at 30 degrees, horizontal rotation at 355 degrees, suitable for various applications.
- Silver mirror, dark chrome, champagne gold, multi-color reflectors can be provided, suitable for various environments.
- UGR<10
- CRI>80
- IP44 / IP65



COB LED

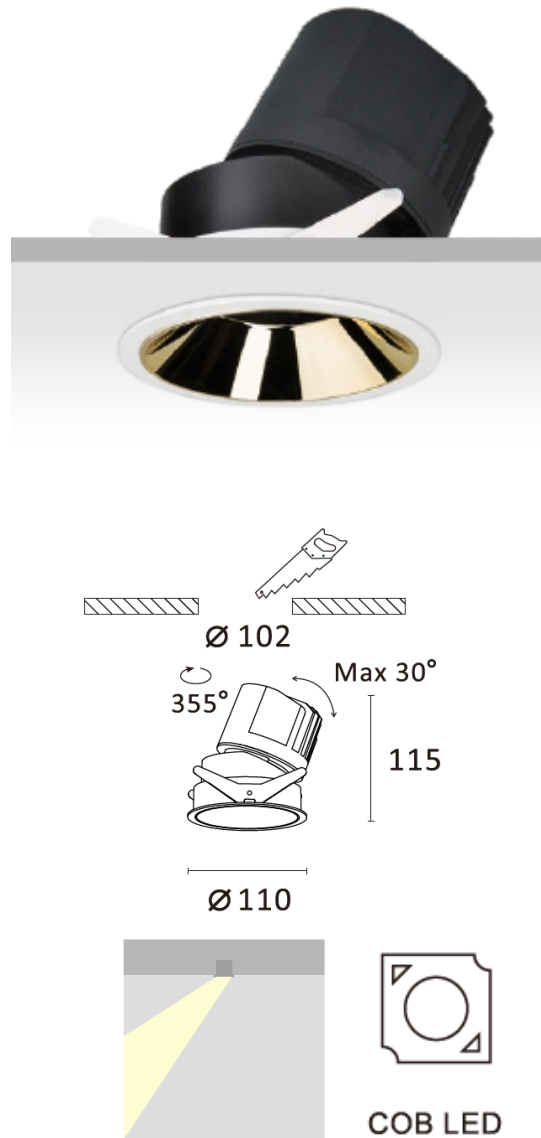
POWER	CCT	LUMEN OUTPUT	BEAM ANGLE	COLOR FINISH	CONTROL GEAR (LED DRIVER)
15W 20W	2700K 3000K 4000K	1300LM 1770LM	10° 24° 38° 50°	White Silver Black	Non Dimmable 1-10V Dimmable DALI Dimmable Triac Dimmable

# LED DOWNLIGHT

## EAS-DL146-JR6296

### Technical Details

- Die casting process, simple and exquisite appearance, and good heat dissipation performance.
- The new design of narrow edge frame to blend the ceiling perfectly.
- Split structure and the design of frame embedded to avoid ceiling damage during maintenance.
- The reflector structure can make extreme anti-glare and excellent lighting effect.
- Vertical rotation at 30 degrees, horizontal rotation at 355 degrees, suitable for various applications.
- Silver mirror, dark chrome, champagne gold, multi-color reflectors can be provided, suitable for various environments.
- UGR<10
- CRI>80
- IP44 / IP65



POWER	CCT	LUMEN OUTPUT	BEAM ANGLE	COLOR FINISH	CONTROL GEAR (LED DRIVER)
15W 20W	2700K 3000K 4000K	1300LM 1770LM	10° 24° 38° 50°	White Silver Black	Non Dimmable 1-10V Dimmable DALI Dimmable Triac Dimmable

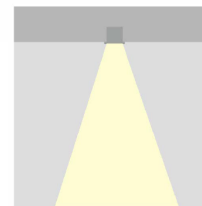
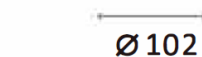
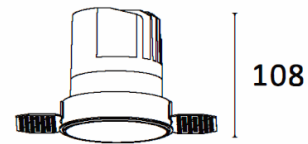
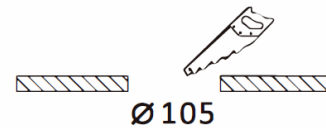


# LED DOWNLIGHT

## EAS-DL146-JR6300

### Technical Details

- Die casting process, simple and exquisite appearance, and good heat dissipation performance.
- The new design of narrow edge frame to blend the ceiling perfectly.
- Split structure and the design of frame embedded to avoid ceiling damage during maintenance.
- The reflector structure can make extreme anti-glare and excellent lighting effect.
- Silver mirror, dark chrome, champagne gold, multi-color reflectors can be provided, suitable for various environments.
- UGR<10
- IP44 / IP65



COB LED

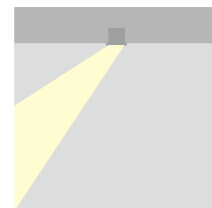
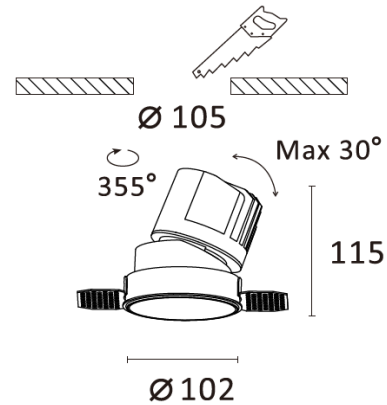
POWER	CCT	LUMEN OUTPUT	BEAM ANGLE	COLOR FINISH	CONTROL GEAR (LED DRIVER)
15W 20W	2700K 3000K 4000K	1300LM 1770LM	10° 24° 38° 50°	White Silver Black	Non Dimmable 1-10V Dimmable DALI Dimmable Triac Dimmable

# LED DOWNLIGHT

## EAS-DL146-JR6297

### Technical Details

- Die casting process, simple and exquisite appearance, and good heat dissipation performance.
- The new design of narrow edge frame to blend the ceiling perfectly.
- Split structure and the design of frame embedded to avoid ceiling damage during maintenance.
- The reflector structure can make extreme anti-glare and excellent lighting effect.
- Silver mirror, dark chrome, champagne gold, multi-color reflectors can be provided, suitable for various environments.
- UGR<10
- IP44 / IP65



COB LED

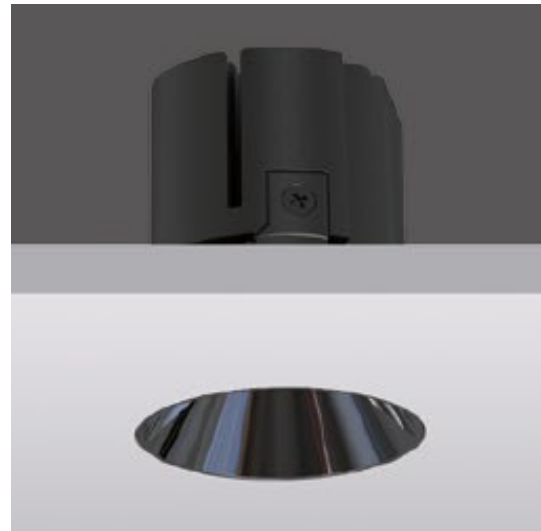
POWER	CCT	LUMEN OUTPUT	BEAM ANGLE	COLOR FINISH	CONTROL GEAR (LED DRIVER)
15W 20W	2700K 3000K 4000K	1300LM 1770LM	10° 24° 38° 50°	White Silver Black	Non Dimmable 1-10V Dimmable DALI Dimmable Triac Dimmable

# LED DOWNLIGHT

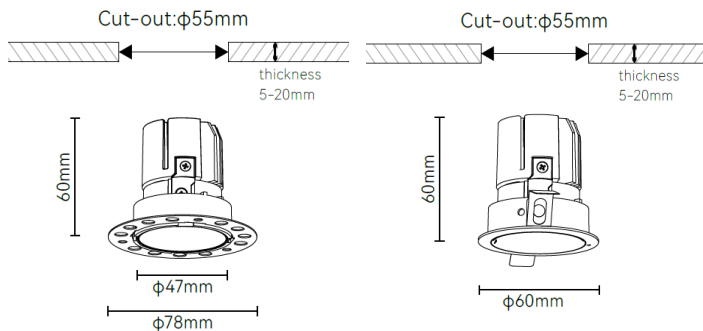
## EAS-DL30-W1601/1601 SERIES

### Technical Details

- Exquisite physique design makes it suitable for all kinds of low ceiling and narrow space.
- Material: Aluminum
- Color Reflector: Dark Chrome / Specular Gold / White / Black
- Lifespan 50,000 Hours
- CRI > 90
- SDCM 3
- IP20~IP54



EAS-DL30-W1601

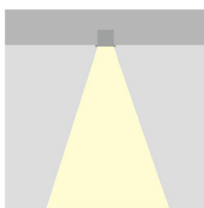


EAS-DL30-W1601

EAS-DL30-1601



EAS-DL30-1601



COB LED

POWER	CCT	LUMEN OUTPUT	BEAM ANGLE	COLOR FINISH	CONTROL GEAR (LED DRIVER)
5W 7W	2700K	282~390LM 338~468LM	15°	Gray White Black	Non Dimmable 1-10V Dimmable DALI Dimmable Triac Dimmable
	3000K		20°		
	4000K		25°		
	5000K		30°		
			15°x40°		

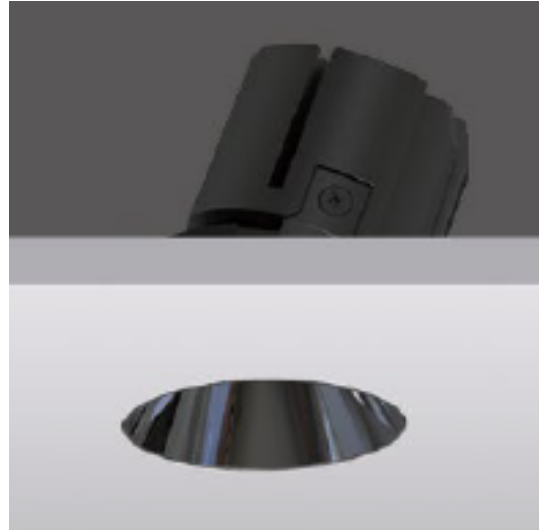


# LED DOWNLIGHT

## EAS-DL30-W1602/1602 SERIES

### Technical Details

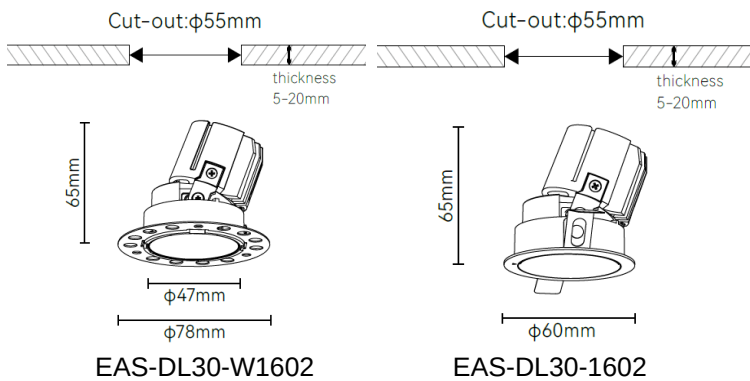
- Exquisite physique design makes it suitable for all kinds of low ceiling and narrow space.
- Material: Aluminum
- Color Reflector: Dark Chrome / Specular Gold / White / Black
- Lifespan 50,000 Hours
- CRI > 90
- SDCM 3
- IP20~IP54



EAS-DL30-W1602

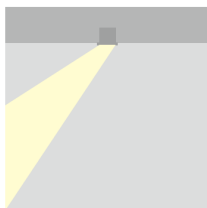


EAS-DL30-1602



EAS-DL30-W1602

EAS-DL30-1602



COB LED

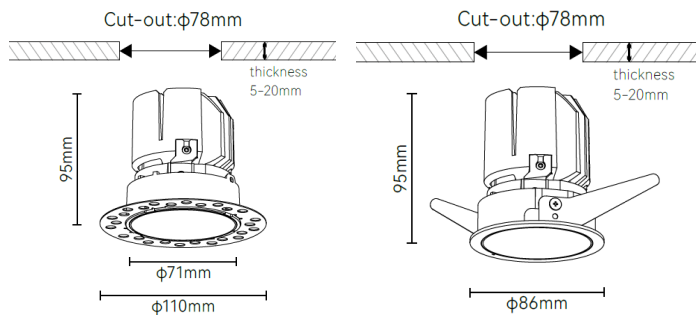
POWER	CCT	LUMEN OUTPUT	BEAM ANGLE	COLOR FINISH	CONTROL GEAR (LED DRIVER)
5W	2700K	282~391LM 338~470LM	15°	Gray White Black	Non Dimmable 1-10V Dimmable DALI Dimmable Triac Dimmable
7W	3000K		20°		
	4000K		25°		
	5000K		30°		
			15°x40°		

# LED DOWNLIGHT

## EAS-DL30-W1861/1861 SERIES

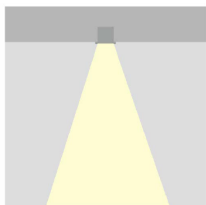
### Technical Details

- Accurate light control technology, every beam of light is accurately projected in the necessary place.
- Material: Aluminum
- Color Reflector: Dark Chrome / Specular Gold / White / Black
- Lifespan 50,000 Hours
- CRI> 90
- SDCM 3
- IP20~IP54

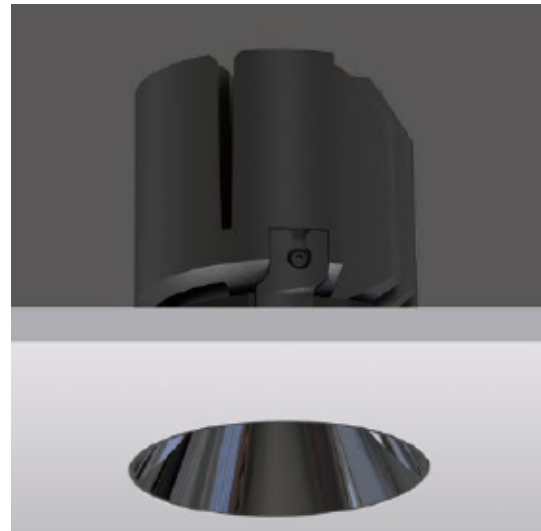


EAS-DL30-W1861

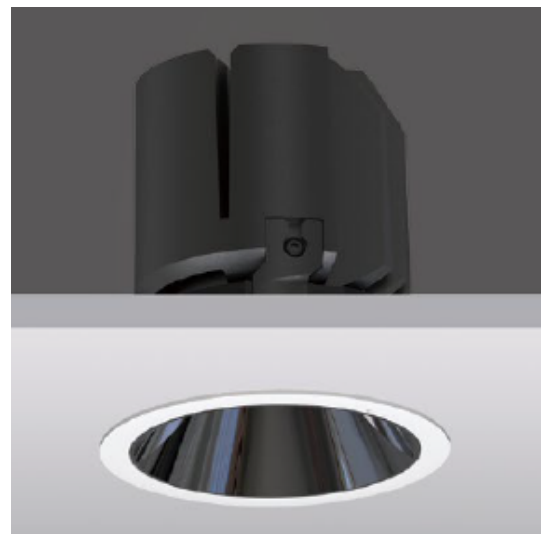
EAS-DL30-1861



COB LED



EAS-DL30-W1861



EAS-DL30-1861

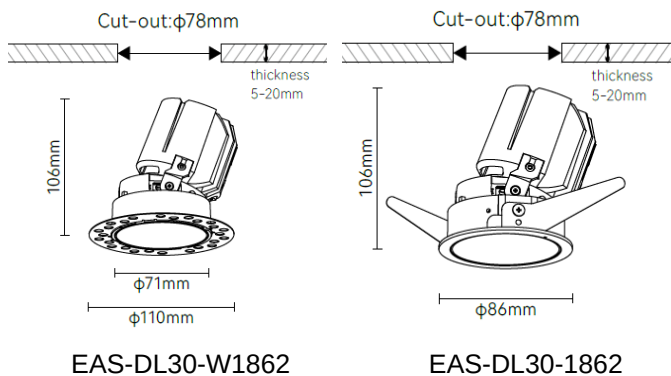
POWER	CCT	LUMEN OUTPUT	BEAM ANGLE	COLOR FINISH	CONTROL GEAR (LED DRIVER)
8W	2700K	621~693LM	15°	Gray White Black	Non Dimmable 1-10V Dimmable DALI Dimmable Triac Dimmable
10W	3000K	696~799LM	20°		
12W	4000K	821~888LM	25°		
15W	5000K	889~1033LM	30°		
			15°x40°		

# LED DOWNLIGHT

## EAS-DL30-W1862/1862 SERIES

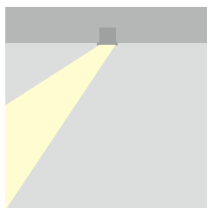
### Technical Details

- Accurate light control technology, every beam of light is accurately projected in the necessary place.
- Material: Aluminum
- Color Reflector: Dark Chrome / Specular Gold / White / Black
- Lifespan 50,000 Hours
- CRI > 90
- SDCM 3
- IP20~IP54

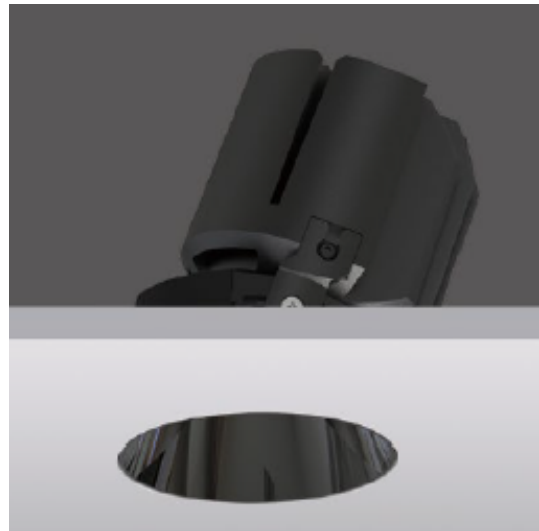


EAS-DL30-W1862

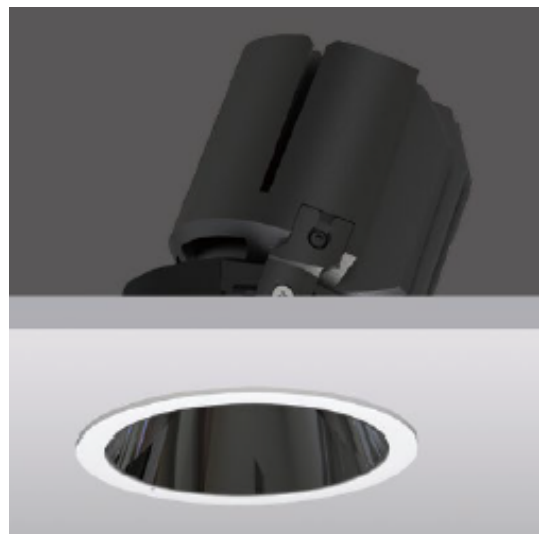
EAS-DL30-1862



COB LED



EAS-DL30-W1862



EAS-DL30-1862

POWER	CCT	LUMEN OUTPUT	BEAM ANGLE	COLOR FINISH	CONTROL GEAR (LED DRIVER)
8W	2700K	621~721LM	15°	Gray White Black	Non Dimmable 1-10V Dimmable DALI Dimmable Triac Dimmable
10W	3000K	696~799LM	20°		
12W	4000K	819~912LM	25°		
15W	5000K	889~1033LM	30°		
			15°x40°		



# LED DOWNLIGHT

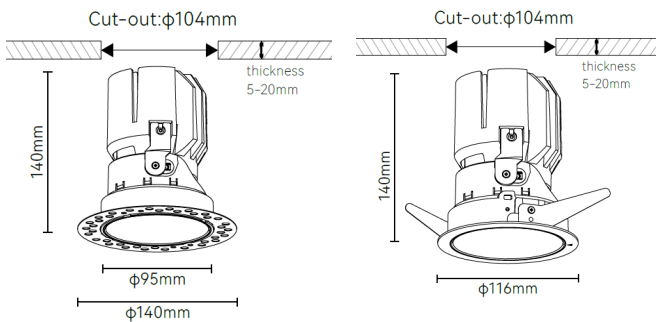
## EAS-DL30-W1861/1861 SERIES

### Technical Details

- High efficiency spotlight technology provides more luminous flux and brightness.
- Material: Aluminum
- Color Reflector: Dark Chrome / Specular Gold / White / Black
- Lifespan 50,000 Hours
- CRI > 90
- SDCM 3
- IP20~IP54



EAS-DL30-W11161

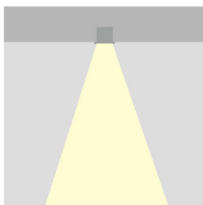


EAS-DL30-W11161

EAS-DL30-11161



EAS-DL30-11161



COB LED

POWER	CCT	LUMEN OUTPUT	BEAM ANGLE	COLOR FINISH	CONTROL GEAR (LED DRIVER)
20W	2700K	1253~1615LM	15°	Gray White Black	Non Dimmable 1-10V Dimmable DALI Dimmable Triac Dimmable
25W	3000K	1495~1833LM	24°		
30W	4000K	1678~2072LM	38°		
	5000K		15°x40°		

# LED DOWNLIGHT

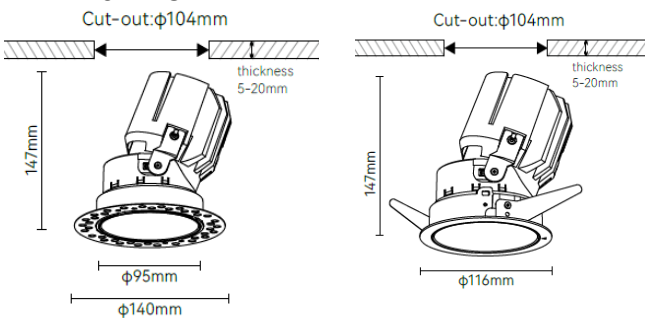
## EAS-DL30-W1162/1162 SERIES

### Technical Details

- High efficiency spotlight technology and adjustable angle design provide more luminous flux and brightness for higher and larger space, and can project light to a longer distance.
- Material: Aluminum
- Color Reflector: Dark Chrome / Specular Gold / White / Black
- Lifespan 50,000 Hours
- CRI > 90
- SDCM 3
- IP20~IP54

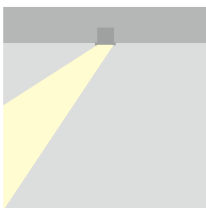


EAS-DL30-W1162



EAS-DL30-W1162

EAS-DL30-11162



COB LED



EAS-DL30-111632

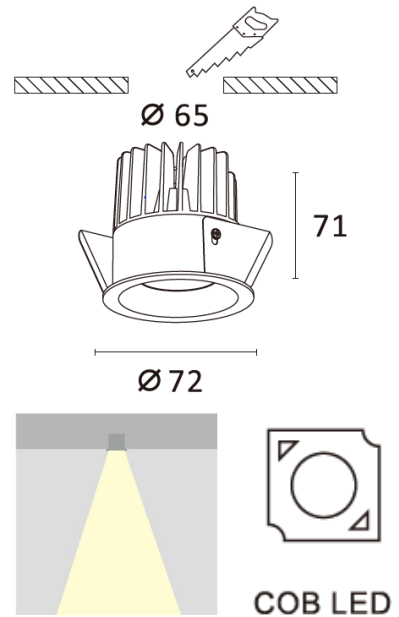
POWER	CCT	LUMEN OUTPUT	BEAM ANGLE	COLOR FINISH	CONTROL GEAR (LED DRIVER)
20W	2700K	1253~1580LM	15°	Gray White Black	Non Dimmable 1-10V Dimmable DALI Dimmable Triac Dimmable
25W	3000K	1495~1824LM	24°		
30W	4000K	1678~2018LM	38°		
	5000K		15°x40°		

# LED DOWNLIGHT

## EAS-DL146-JR6913

### Technical Details

- Housing and Mounting ring: Cast aluminum.
- Light source: COB LED with a high efficiency reflector of optical.
- The light can be compatible with emergency battery.
- CRI<80
- IP44



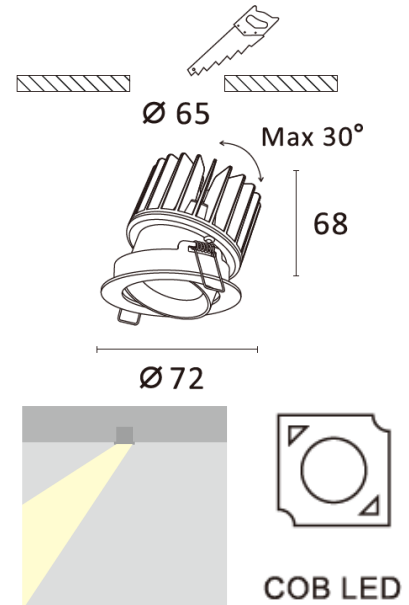
POWER	CCT	LUMEN OUTPUT	BEAM ANGLE	COLOR FINISH	CONTROL GEAR (LED DRIVER)
6W 10W	2700K 3000K 4000K	525LM 871LM	15° 24° 45°	White Silver Black	Non Dimmable 1-10V Dimmable DALI Dimmable Triac Dimmable

# LED DOWNLIGHT

## EAS-DL146-JR6914

### Technical Details

- Housing and Mounting ring: Cast aluminum.
- Light source: COB LED with a high efficiency reflector of optical.
- The light can be compatible with emergency battery.
- CRI>80
- IP44



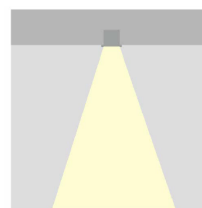
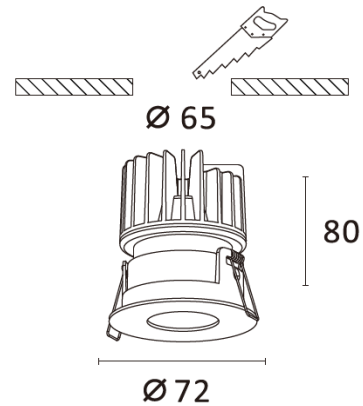
POWER	CCT	LUMEN OUTPUT	BEAM ANGLE	COLOR FINISH	CONTROL GEAR (LED DRIVER)
6W 10W	2700K 3000K 4000K	525LM 871LM	15° 24° 45°	White Silver Black	Non Dimmable 1-10V Dimmable DALI Dimmable Triac Dimmable

# LED DOWNLIGHT

## EAS-DL146-JR6915

### Technical Details

- Housing and Mounting ring: Cast aluminum.
- Light source: COB LED with a high efficiency reflector of optical.
- The light can be compatible with emergency battery.
- CRI>80
- IP44



COB LED

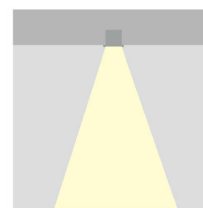
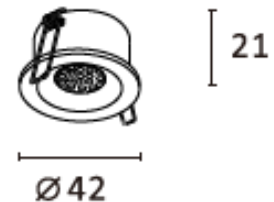
POWER	CCT	LUMEN OUTPUT	BEAM ANGLE	COLOR FINISH	CONTROL GEAR (LED DRIVER)
6W 10W	2700K 3000K 4000K	344LM 564LM	15° 24° 45°	White Silver Black	Non Dimmable 1-10V Dimmable DALI Dimmable Triac Dimmable

# LED DOWNLIGHT

## EAS-DL146-0110

### Technical Details

- Housing and Mounting ring: Cast aluminum.
- Light source: High Power LED with a lens of optical
- UGR<19
- CRI>80
- 50,000 hours Lifespan
- Color Reflector: White / Black
- IP44



HIGH POWER LED

POWER	CCT	LUMEN OUTPUT	BEAM ANGLE	COLOR FINISH	CONTROL GEAR (LED DRIVER)
1W 3W	2700K 3000K 4000K	130LM 228LM	15° 30° 45°	White Black	Non Dimmable DALI Dimmable

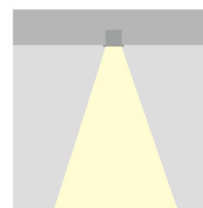
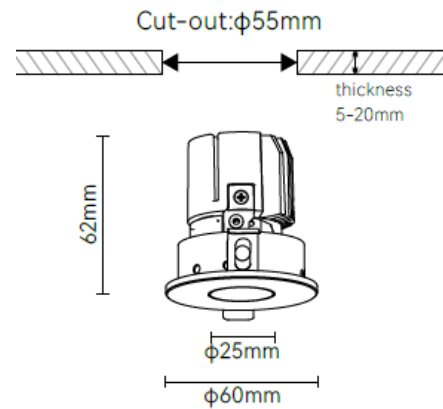


# LED DOWNLIGHT

## EAS-DL30-1603

### Technical Details

- Excellent waterproof function, it can play a better effect in wet space.
- Material: Aluminum
- Color Reflector: Black
- Lifespan 50,000 Hours
- CRI>90
- SDCM 3
- IP20~IP54



COB LED

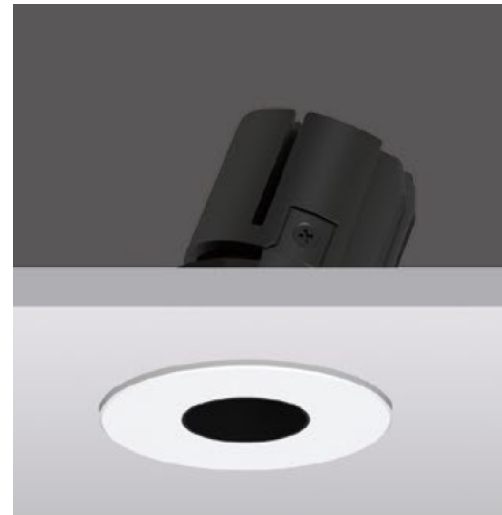
POWER	CCT	LUMEN OUTPUT	BEAM ANGLE	COLOR FINISH	CONTROL GEAR (LED DRIVER)
5W 7W	2700K 3000K 4000K 5000K	204~308LM 250~369LM	15° 20° 25° 30° 15°x30°	White Black	Non Dimmable 1-10V Dimmable DALI Dimmable Triac Dimmable

# LED DOWNLIGHT

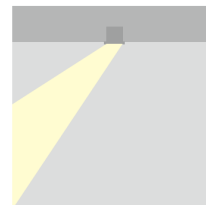
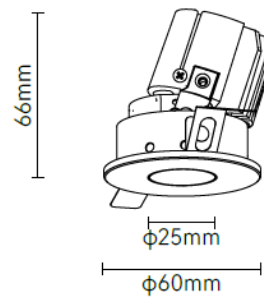
## EAS-DL30-1604

### Technical Details

- Excellent waterproof function and adjustable angle design can accurately project light on objects in wet space, highlighting single areas or objects.
- Material: Aluminum
- Color Reflector: Black
- Lifespan 50,000 Hours
- CRI>90
- SDCM 3
- IP20~IP54



Cut-out:  $\phi 55\text{mm}$



COB LED

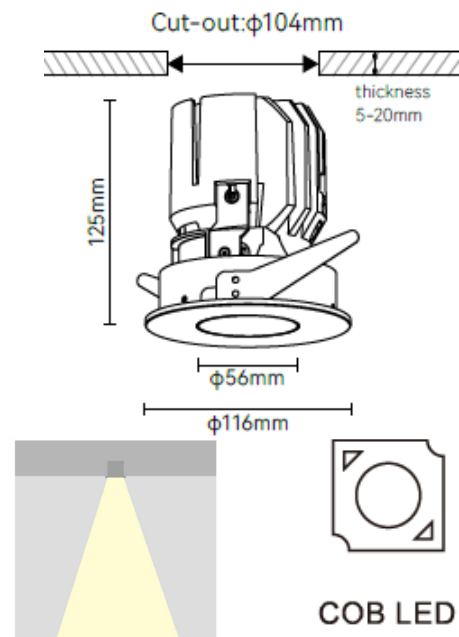
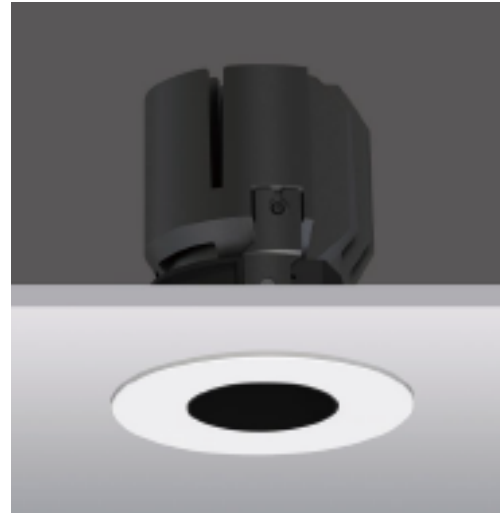
POWER	CCT	LUMEN OUTPUT	BEAM ANGLE	COLOR FINISH	CONTROL GEAR (LED DRIVER)
5W 7W	2700K 3000K 4000K 5000K	204~309LM 242~366LM	15° 20° 25° 30° 15°x30°	White Black	Non Dimmable 1-10V Dimmable DALI Dimmable Triac Dimmable

# LED DOWNLIGHT

## EAS-DL30-11163

### Technical Details

- The high-power circular deep cylinder light outlet design can achieve better anti glare effect, and provide more luminous flux and brightness for your space.
- Material: Aluminum
- Color Reflector: Black
- Lifespan 50,000 Hours
- CRI>90
- SDCM 3
- IP20~IP54



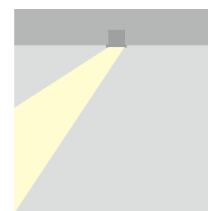
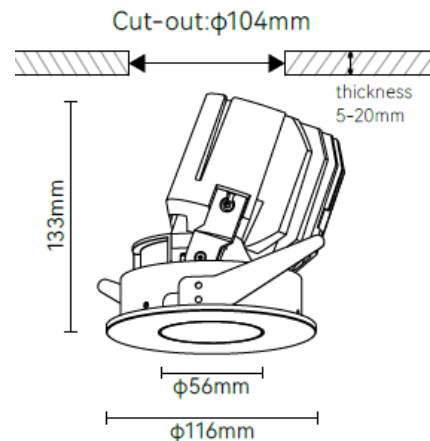
POWER	CCT	LUMEN OUTPUT	BEAM ANGLE	COLOR FINISH	CONTROL GEAR (LED DRIVER)
20W	2700K	905LM~1402LM	15°	White Black	Non Dimmable 1-10V Dimmable DALI Dimmable Triac Dimmable
25W	3000K	1119~1602LM	24°		
30W	4000K	1257~1772LM	38°		
	5000K		15°x30°		

# LED DOWNLIGHT

## EAS-DL30-11164

### Technical Details

- High power circular deep cylinder light outlet, adjustable angle design, can provide more luminous flux, and project light to further objects.
- Material: Aluminum
- Color Reflector: Black
- Lifespan 50,000 Hours
- CRI $\geq$ 90
- SDCM 3
- IP20~IP54



COB LED

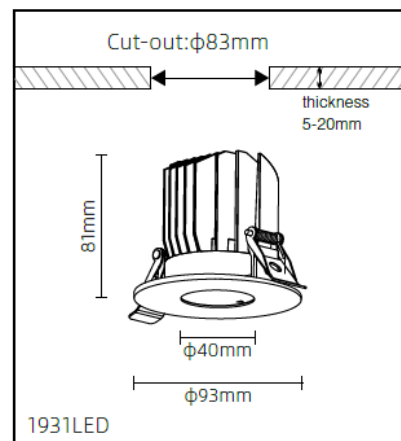
POWER	CCT	LUMEN OUTPUT	BEAM ANGLE	COLOR FINISH	CONTROL GEAR (LED DRIVER)
20W	2700K	905LM~1421LM	15°	White Black	Non Dimmable 1-10V Dimmable DALI Dimmable Triac Dimmable
25W	3000K	1119~1607LM	24°		
30W	4000K	1257~1772LM	38°		
	5000K		15°x30°		

# LED DOWNLIGHT

## EAS-DL30-1931

### Technical Details

- The height-direction wall washer can wash the wall with high brightness, which can help you to evenly light up the space with a maximum height of 4 meters.
- Material: Aluminum
- Color Reflector: Black
- Lifespan 50,000 Hours
- CRI $\geq$ 90
- SDCM 3
- IP20



COB LED

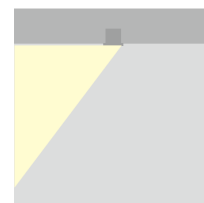
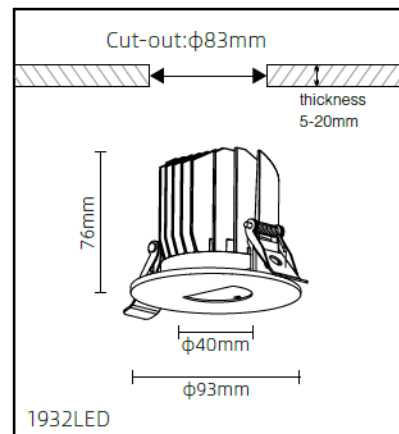
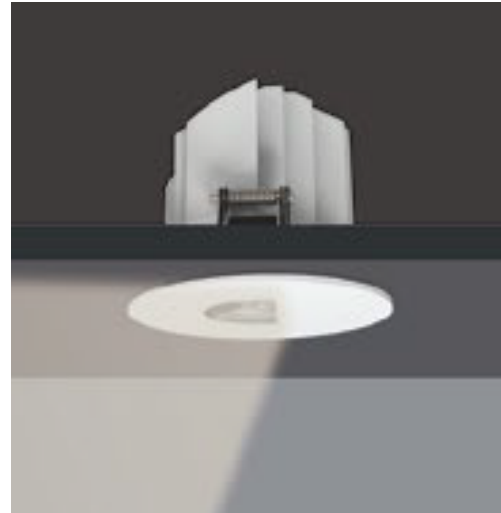
POWER	CCT	LUMEN OUTPUT	BEAM ANGLE	COLOR FINISH	CONTROL GEAR (LED DRIVER)
10W 15W	2700K 3000K 4000K 5000K	648LM~932LM 850~1222LM	5° 26°	White Black	Non Dimmable 1-10V Dimmable DALI Dimmable

# LED DOWNLIGHT

## EAS-DL30-1932

### Technical Details

- The width-direction wall washer light for softly wall washing, which can help you to evenly light up the space with a maximum height of 2 meters.
- Material: Aluminum
- Color Reflector: Black
- Lifespan 50,000 Hours
- CRI $\geq$ 90
- SDCM 3
- IP20



COB LED

POWER	CCT	LUMEN OUTPUT	BEAM ANGLE	COLOR FINISH	CONTROL GEAR (LED DRIVER)
10W 15W	2700K 3000K 4000K 5000K	510LM~644LM 650~823LM	20° 30°	White Black	Non Dimmable 1-10V Dimmable DALI Dimmable

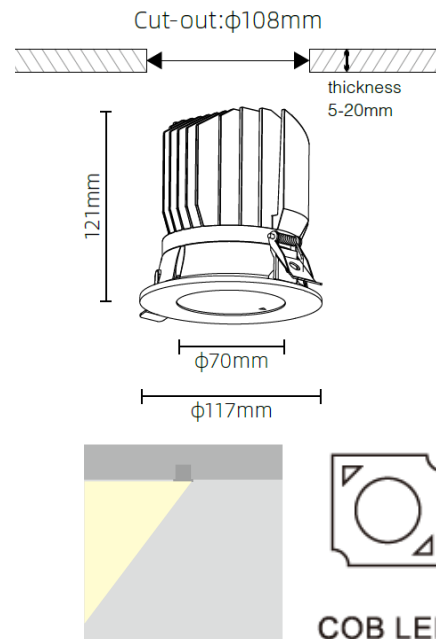


# LED DOWNLIGHT

## EAS-DL30-11171

### Technical Details

- The height-direction wall washer can wash the wall with high brightness, which can help you to evenly light up the space with a maximum height of 8 meters
- Material: Aluminum
- Color Reflector: Black
- Lifespan 50,000 Hours
- CRI $\geq$ 90
- SDCM 3
- IP20



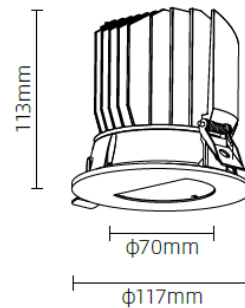
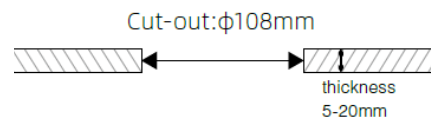
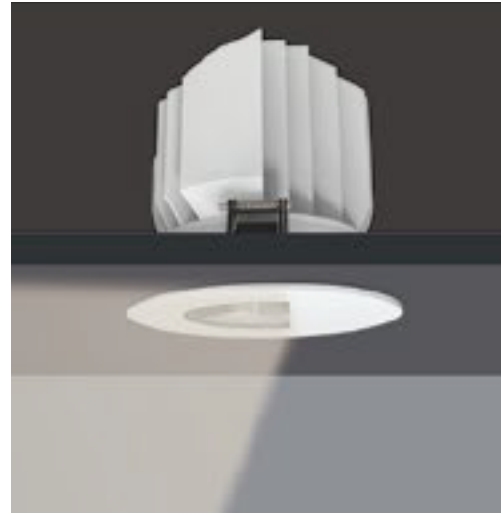
POWER	CCT	LUMEN OUTPUT	BEAM ANGLE	COLOR FINISH	CONTROL GEAR (LED DRIVER)
25W	2700K	1546LM~2281LM	5° 26°	White Black	Non Dimmable 1-10V Dimmable DALI Dimmable Triac Dimmable
30W	3000K	1727~2571LM			
4000K		2030~3098LM			
36W	5000K				

# LED DOWNLIGHT

## EAS-DL30-11172

### Technical Details

- The width-direction wall washer light for softly wall washing, which can help you to evenly light up the space with a maximum height of 3.6 meters.
- Material: Aluminum
- Color Reflector: Black
- Lifespan 50,000 Hours
- CRI $\geq$ 90
- SDCM 3
- IP20



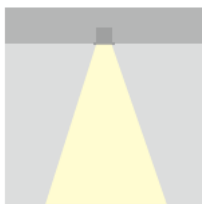
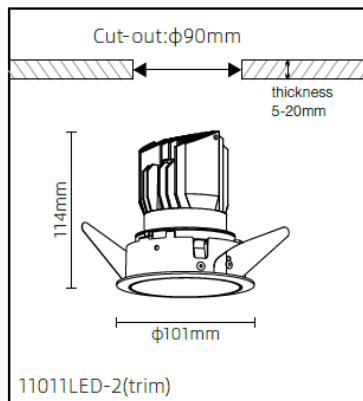
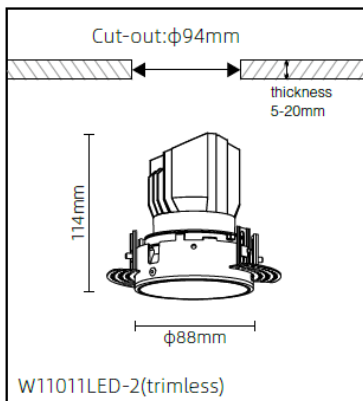
POWER	CCT	LUMEN OUTPUT	BEAM ANGLE	COLOR FINISH	CONTROL GEAR (LED DRIVER)
25W	2700K	1232LM~1796LM	20°	White Black	Non Dimmable 1-10V Dimmable DALI Dimmable Triac Dimmable
30W	3000K	1394~2030LM	30°		
36W	4000K	1672~2439LM	40°		
	5000K				

# LED DOWNLIGHT

## EAS-DL30-W11011/11011

### Technical Details

- Fixed lighting design, recessed downlight can help you better show the sense of space, saves the trouble of adjusting lamps.
- Material: Aluminum
- Color Reflector: Black, Gold
- Lifespan 50,000 Hours
- CRI $\geq$ 90
- SDCM 3
- IP20



COB LED



EAS-DL30-W11011



EAS-DL30-11011

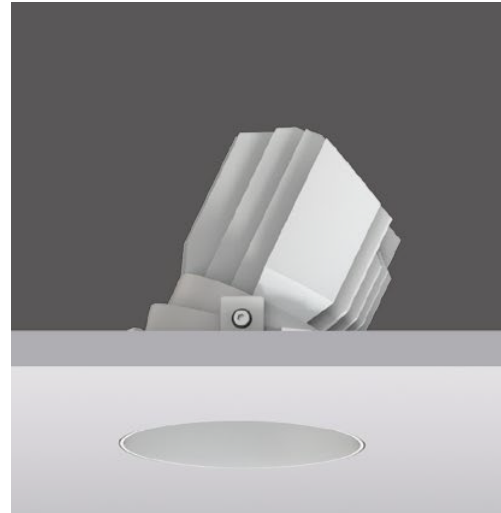
POWER	CCT	LUMEN OUTPUT	BEAM ANGLE	COLOR FINISH	CONTROL GEAR (LED DRIVER)
8W	2700K	605LM~812LM	5°	Black White	Non Dimmable 1-10V Dimmable DALI Dimmable
12W	3000K	836~1047LM	24°		
15W	4000K	998~1147LM	38°		
	5000K		60°		
			15°x40°		

# LED DOWNLIGHT

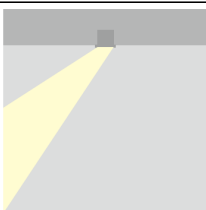
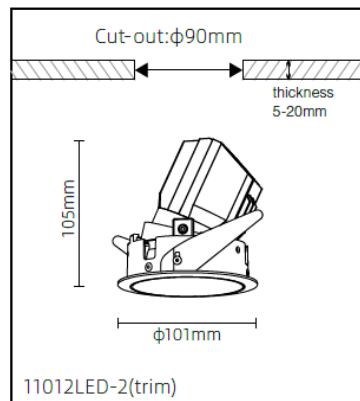
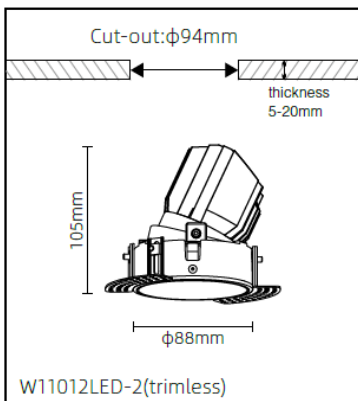
## EAS-DL30-W1102/11012

### Technical Details

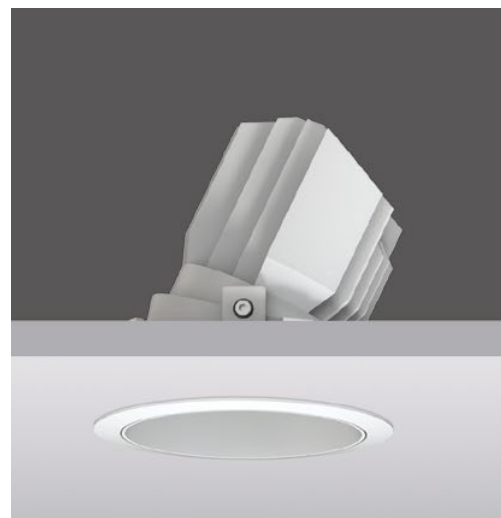
- recessed adjustable spot light can help you to project light onto objects accurately and highlight individual areas or objects. Benefit from its adjustable design, light can be cast to a greater distance.
- Material: Aluminum
- Color Reflector: Black, Gold
- Lifespan 50,000 Hours
- CRI $\geq$ 90
- SDCM 3
- IP20



EAS-DL30-W11012



COB LED



EAS-DL30-11012

POWER	CCT	LUMEN OUTPUT	BEAM ANGLE	COLOR FINISH	CONTROL GEAR (LED DRIVER)
8W	2700K	637LM~812LM	15°	White Black	Non Dimmable 1-10V Dimmable DALI Dimmable
12W	3000K	872~1047LM	24°		
15W	4000K	985~1147LM	38°		
	5000K		60°		
			15°x40°		

# LED DOWNLIGHT

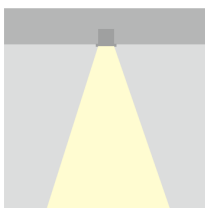
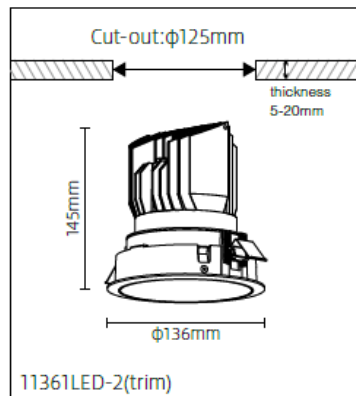
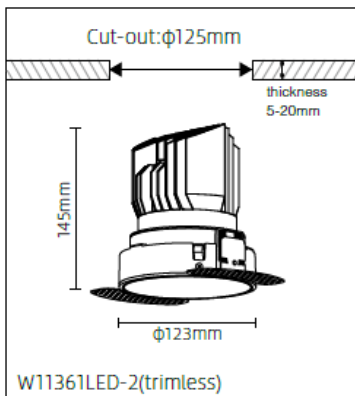
## EAS-DL30-W11361/11361

### Technical Details

- high power recessed downlight can provide you with higher brightness, meet the requirements of higher and larger space lighting, and provide more luminous flux.
- Material: Aluminum
- Color Reflector: Black, Gold
- Lifespan 50,000 Hours
- CRI $\geq$ 90
- SDCM 3
- IP20



EAS-DL30-W11361



COB LED



EAS-DL30-110361

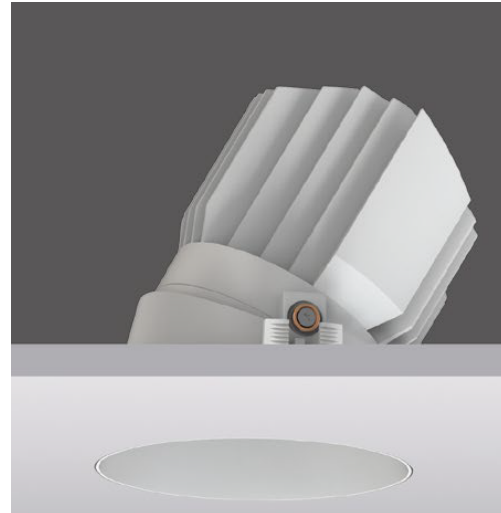
POWER	CCT	LUMEN OUTPUT	BEAM ANGLE	COLOR FINISH	CONTROL GEAR (LED DRIVER)
15W	2700K	1029LM~1387LM	15°	White Black	Non Dimmable 1-10V Dimmable DALI Dimmable
20W	3000K	1407~1880LM	24°		
25W	4000K	1654~2213LM	38°		
30W	5000K	1905~2517LM	60°		
36W		2277~2831LM	15°x40°		

# LED DOWNLIGHT

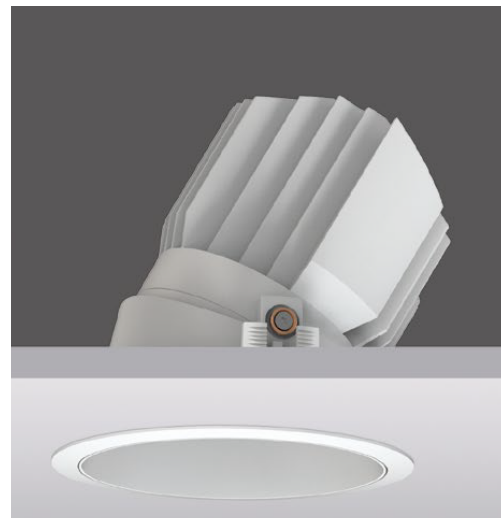
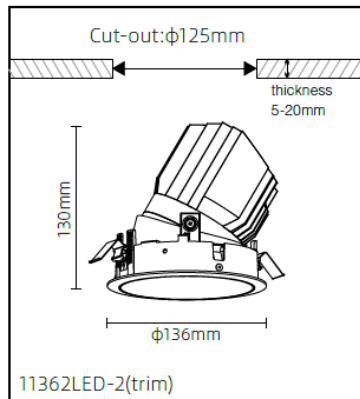
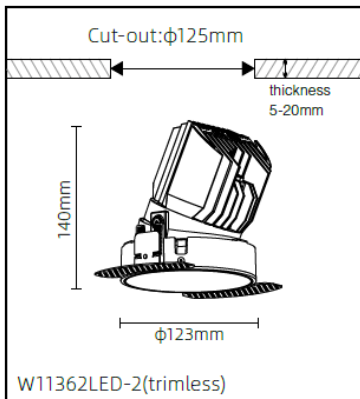
## EAS-DL30-W11362/11362

### Technical Details

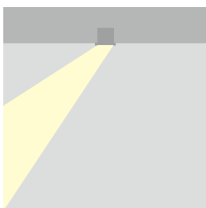
- high power recessed adjustable spotlight can help you project light to higher and larger objects, provide more luminous flux and project light to a longer distance.
- Material: Aluminum
- Color Reflector: Black, Gold
- Lifespan 50,000 Hours
- CRI $\geq$ 90
- SDCM 3
- IP20



EAS-DL30-W11362



EAS-DL30-110362



COB LED

POWER	CCT	LUMEN OUTPUT	BEAM ANGLE	COLOR FINISH	CONTROL GEAR (LED DRIVER)
15W	2700K	1026LM~1358LM	15°	White Black	Non Dimmable 1-10V Dimmable DALI Dimmable
20W	3000K	1544~1880LM	24°		
25W	4000K	1824~2213LM	38°		
30W	5000K	2083~2517LM	60°		
36W		2277~2831LM	15°x40°		

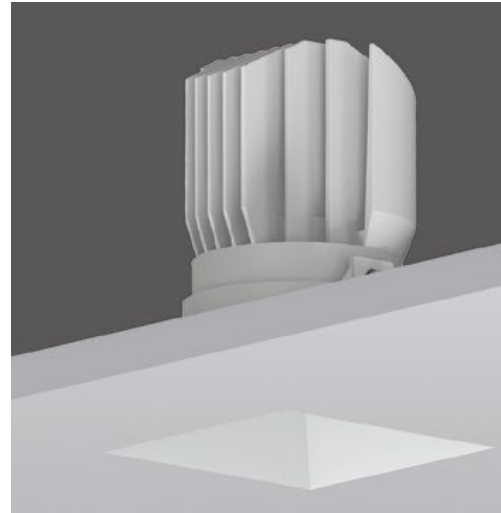


# LED DOWNLIGHT

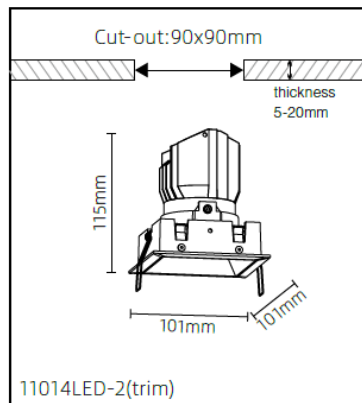
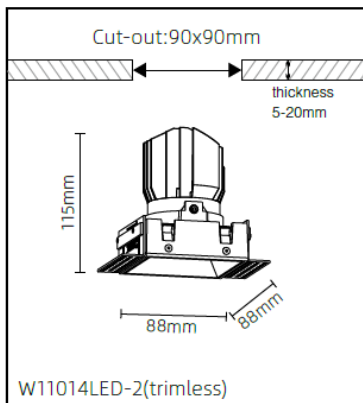
## EAS-DL30-W11014/11014

### Technical Details

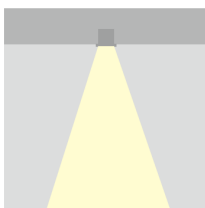
- Recessed downlight unique square design makes the lamp and ceiling have a better integration, which can help you make excellent decoration design.
- Material: Aluminum
- Color Reflector: Black, Gold
- Lifespan 50,000 Hours
- CRI $\geq$ 90
- SDCM 3
- IP20



EAS-DL30-W11014



EAS-DL30-11014



COB LED

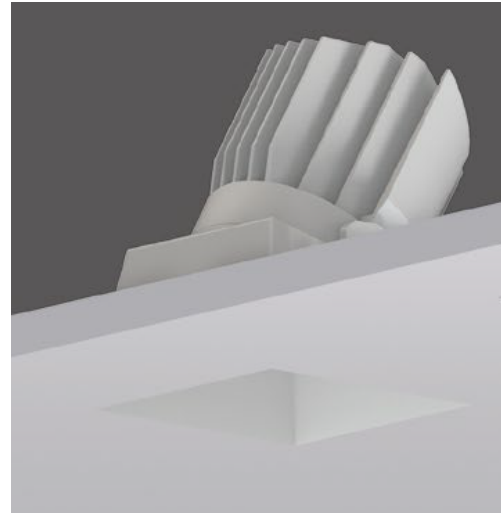
POWER	CCT	LUMEN OUTPUT	BEAM ANGLE	COLOR FINISH	CONTROL GEAR (LED DRIVER)
15W	2700K	604LM~754LM	15°	White Black	Non Dimmable 1-10V Dimmable DALI Dimmable
20W	3000K	846~986LM	24°		
25W	4000K	980~1107LM	38°		
30W	5000K		60°		
36W					

# LED DOWNLIGHT

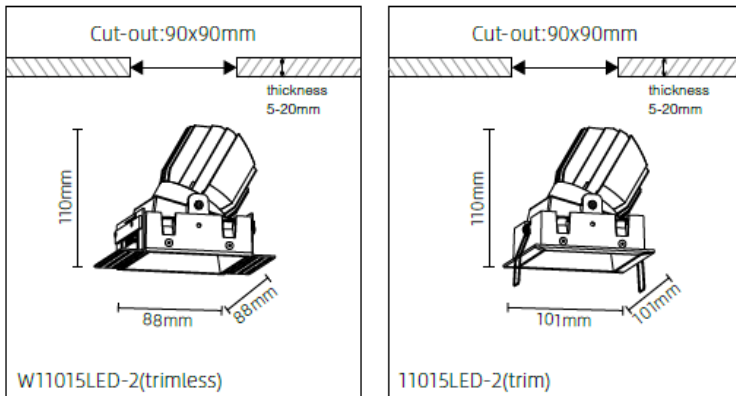
## EAS-DL30-W11015/11015

### Technical Details

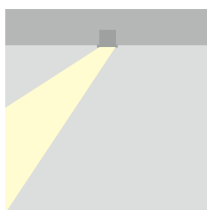
- Recessed downlight unique square design makes the lamp and ceiling have a better integration, which can help you accurately project light onto objects, highlighting individual areas or objects.
- Material: Aluminum
- Color Reflector: Black, Gold
- Lifespan 50,000 Hours
- CRI $\geq$ 90
- SDCM 3
- IP20



EAS-DL30-W11015



EAS-DL30-11015



COB LED

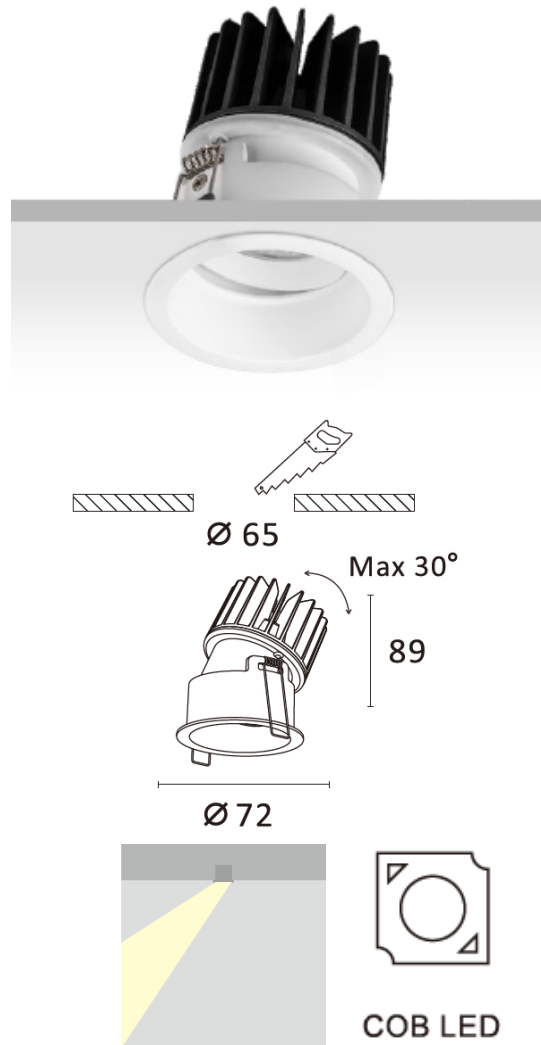
POWER	CCT	LUMEN OUTPUT	BEAM ANGLE	COLOR FINISH	CONTROL GEAR (LED DRIVER)
8W	2700K	587LM~756LM	15°	White Black	Non Dimmable 1-10V Dimmable DALI Dimmable
12W	3000K	831~991LM	24°		
15W	4000K	968~1111LM	38°		
	5000K		60°		

# LED DOWNLIGHT

## EAS-DL146-JR6910

### Technical Details

- Housing and Mounting ring: Cast aluminum.
- Light source: COB LED with a high efficiency reflector of optical.
- The light can be compatible with emergency battery.
- CRI>80
- IP44



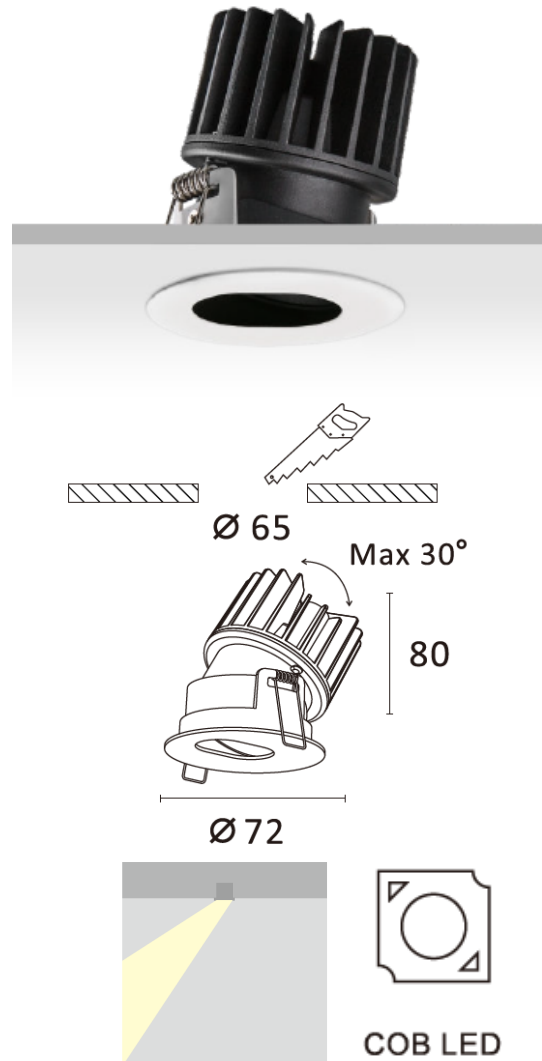
POWER	CCT	LUMEN OUTPUT	BEAM ANGLE	COLOR FINISH	CONTROL GEAR (LED DRIVER)
6W 10W	2700K 3000K 4000K	518LM 845LM	15° 24° 45°	White Silver Black	Non Dimmable 1-10V Dimmable DALI Dimmable Triac Dimmable

# LED DOWNLIGHT

## EAS-DL146-JR6916

### Technical Details

- Housing and Mounting ring: Cast aluminum.
- Light source: COB LED with a high efficiency reflector of optical.
- The light can be compatible with emergency battery.
- CRI>80
- IP44



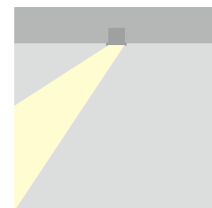
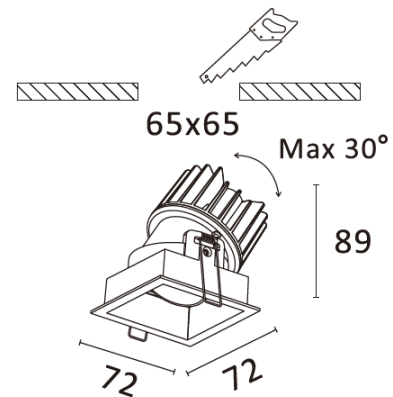
POWER	CCT	LUMEN OUTPUT	BEAM ANGLE	COLOR FINISH	CONTROL GEAR (LED DRIVER)
6W 10W	2700K 3000K 4000K	276LM 454LM	24° 36°	White Silver Black	Non Dimmable 1-10V Dimmable DALI Dimmable Triac Dimmable

# LED DOWNLIGHT

## EAS-DL146-JR6911

### Technical Details

- Housing and Mounting ring: Cast aluminum.
- Light source: COB LED with a high efficiency reflector of optical.
- The light can be compatible with emergency battery.
- CRI>80
- IP44



COB LED

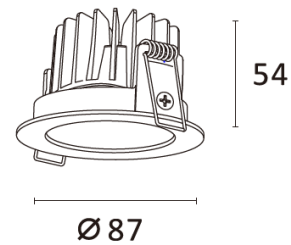
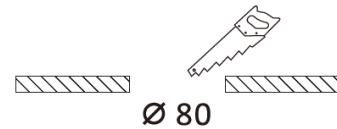
POWER	CCT	LUMEN OUTPUT	BEAM ANGLE	COLOR FINISH	CONTROL GEAR (LED DRIVER)
6W 10W	2700K 3000K 4000K	519LM 846LM	15° 24° 45°	White Silver Black	Non Dimmable 1-10V Dimmable DALI Dimmable Triac Dimmable

# LED DOWNLIGHT

## EAS-DL146-JR6963

### Technical Details

- Housing and Mounting ring: Cast aluminum.
- Light source: COB LED with a high efficiency reflector of optical.
- The light can be compatible with emergency battery.
- CRI>80
- IP44



POWER	CCT	LUMEN OUTPUT	BEAM ANGLE	COLOR FINISH	CONTROL GEAR (LED DRIVER)
6W 10W	2700K 3000K 4000K	700LM 1200LM	24° 36° 60°	White Silver Black	Non Dimmable 1-10V Dimmable DALI Dimmable Triac Dimmable

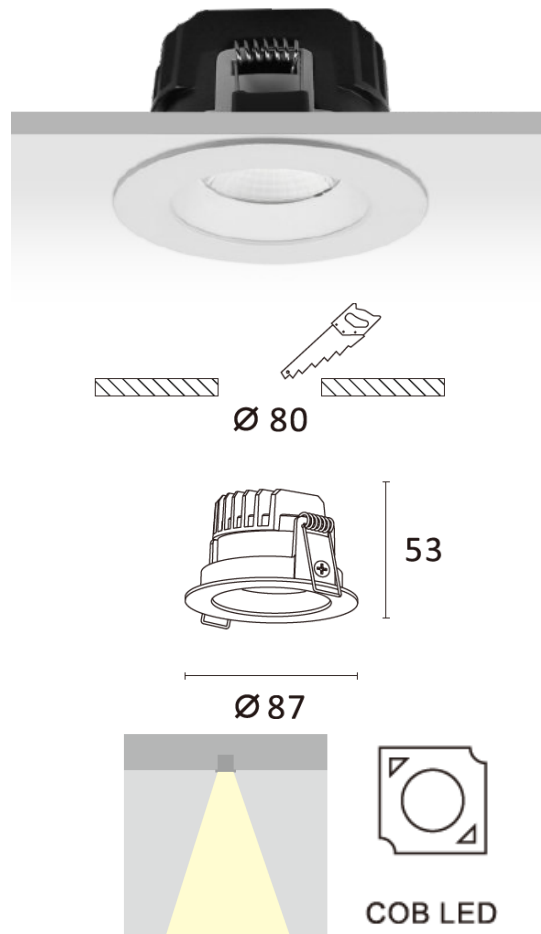


# LED DOWNLIGHT

## EAS-DL146-JR6936

### Technical Details

- Housing and Mounting ring: Cast aluminum.
- Light source: COB LED with a high efficiency reflector of optical.
- The light can be compatible with emergency battery.
- CRI>80
- IP44



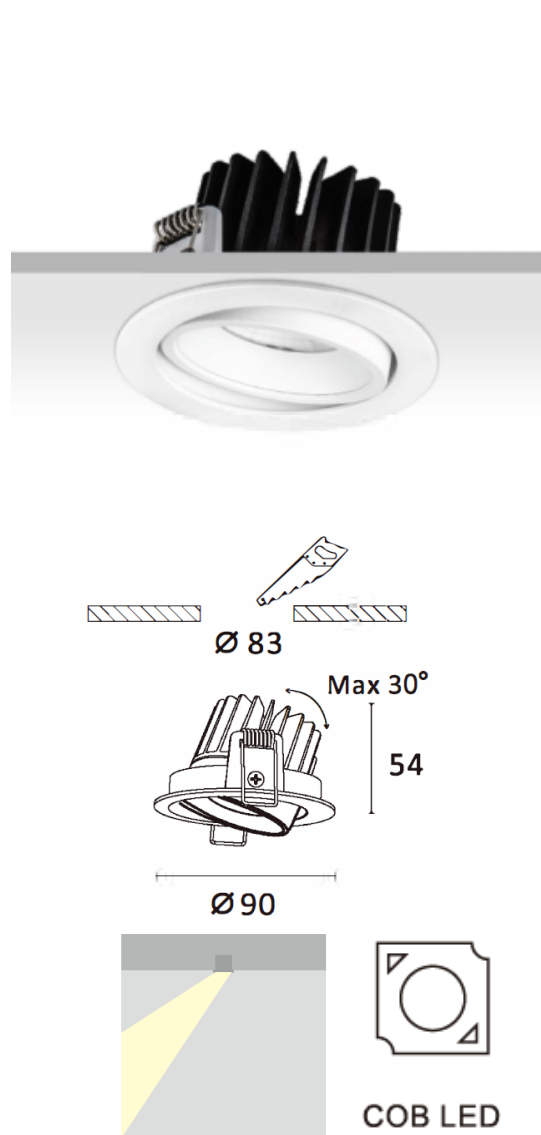
POWER	CCT	LUMEN OUTPUT	BEAM ANGLE	COLOR FINISH	CONTROL GEAR (LED DRIVER)
15W	2700K 3000K 4000K	1540LM	24° 36° 60°	White Silver Black	Non Dimmable 1-10V Dimmable DALI Dimmable Triac Dimmable

# LED DOWNLIGHT

## EAS-DL146-JR6964

### Technical Details

- Housing and Mounting ring: Cast aluminum.
- Light source: COB LED with a lens of optical.
- The downlight tilts to a maximum of 0°-30° onto the vertical plane.
- The light can be compatible with emergency battery.
- CRI>80
- IP44



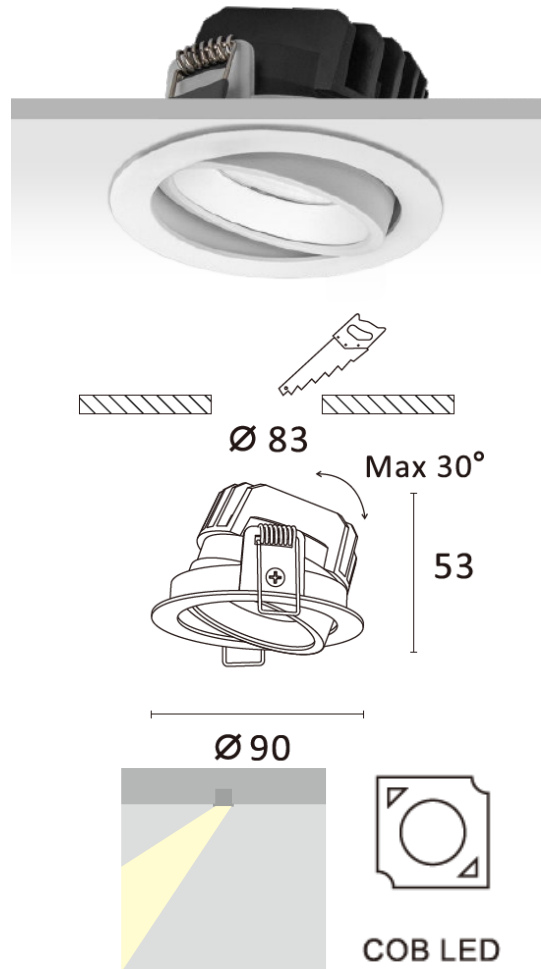
POWER	CCT	LUMEN OUTPUT	BEAM ANGLE	COLOR FINISH	CONTROL GEAR (LED DRIVER)
6W 10W	2700K 3000K 4000K	700LM 1200LM	24° 36° 60°	White Silver Black	Non Dimmable 1-10V Dimmable DALI Dimmable Triac Dimmable

# LED DOWNLIGHT

## EAS-DL146-JR6937

### Technical Details

- Housing and Mounting ring: Cast aluminum.
- Light source: COB LED with a lens of optical.
- The downlight tilts to a maximum of 0°-30° onto the vertical plane.
- The light can be compatible with emergency battery.
- CRI>80
- IP44



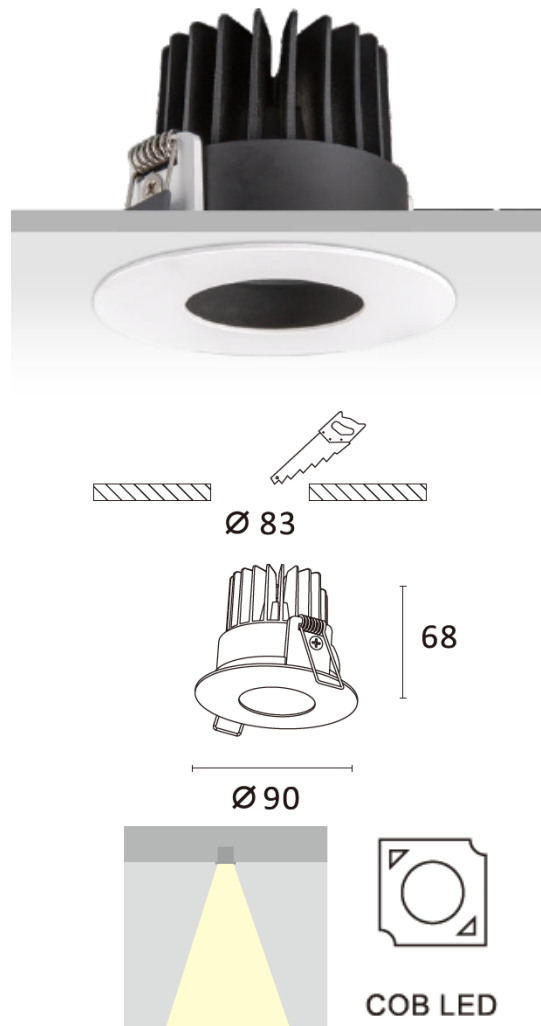
POWER	CCT	LUMEN OUTPUT	BEAM ANGLE	COLOR FINISH	CONTROL GEAR (LED DRIVER)
15W	2700K 3000K 4000K	1550LM	24° 36° 60°	White Silver Black	Non Dimmable 1-10V Dimmable DALI Dimmable Triac Dimmable

# LED DOWNLIGHT

## EAS-DL146-JR6965

### Technical Details

- Housing and Mounting ring: Cast aluminum.
- Light source: COB LED with a lens of optical.
- The light can be compatible with emergency battery.
- CRI>80
- IP44



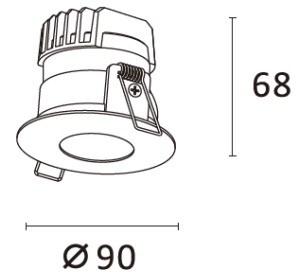
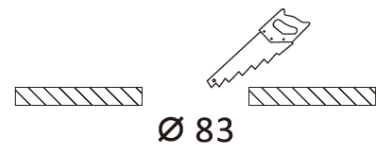
POWER	CCT	LUMEN OUTPUT	BEAM ANGLE	COLOR FINISH	CONTROL GEAR (LED DRIVER)
6W 10W	2700K 3000K 4000K	510LM 910LM	24° 36°	White Silver Black	Non Dimmable 1-10V Dimmable DALI Dimmable Triac Dimmable

# LED DOWNLIGHT

## EAS-DL146-JR6965

### Technical Details

- Housing and Mounting ring: Cast aluminum.
- Light source: COB LED with a lens of optical.
- The light can be compatible with emergency battery.
- CRI>80
- IP44



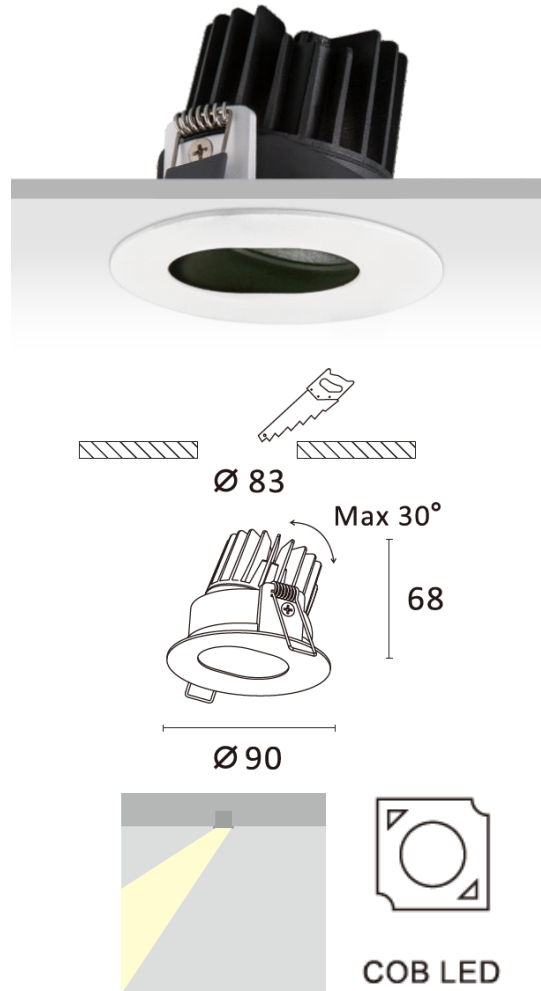
POWER	CCT	LUMEN OUTPUT	BEAM ANGLE	COLOR FINISH	CONTROL GEAR (LED DRIVER)
15W	2700K 3000K 4000K	1170LM	24° 36°	White Silver Black	Non Dimmable 1-10V Dimmable DALI Dimmable Triac Dimmable

# LED DOWNLIGHT

## EAS-DL146-JR6962

### Technical Details

- Housing and Mounting ring: Cast aluminum.
- Light source: COB LED with a lens of optical.
- The downlight tilts to a maximum of 0°-30° onto the vertical plane.
- The light can be compatible with emergency battery.
- CRI>80
- IP44



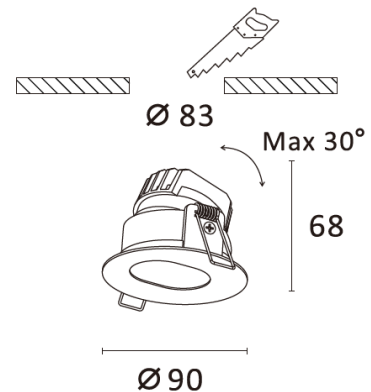
POWER	CCT	LUMEN OUTPUT	BEAM ANGLE	COLOR FINISH	CONTROL GEAR (LED DRIVER)
6W 10W	2700K 3000K 4000K	520LM 900LM	24° 36°	White Silver Black	Non Dimmable 1-10V Dimmable DALI Dimmable Triac Dimmable

# LED DOWNLIGHT

## EAS-DL146-JR6938

### Technical Details

- Housing and Mounting ring: Cast aluminum.
- Light source: COB LED with a lens of optical.
- The downlight tilts to a maximum of 0°-30° onto the vertical plane.
- The light can be compatible with emergency battery.
- CRI>80
- IP44



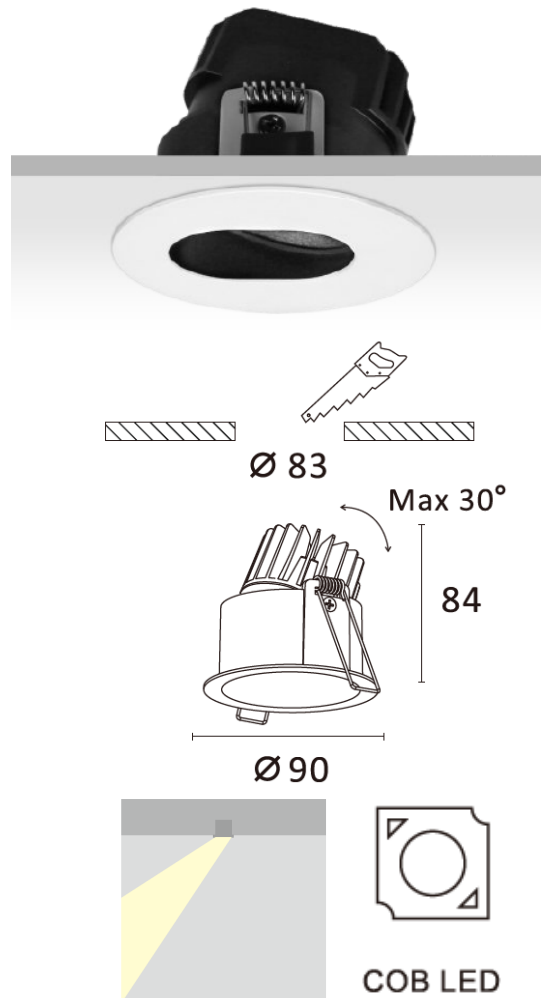
POWER	CCT	LUMEN OUTPUT	BEAM ANGLE	COLOR FINISH	CONTROL GEAR (LED DRIVER)
15W	2700K 3000K 4000K	1150LM	24° 36°	White Silver Black	Non Dimmable 1-10V Dimmable DALI Dimmable Triac Dimmable

# LED DOWNLIGHT

## EAS-DL146-JR6960

### Technical Details

- Housing and Mounting ring: Cast aluminum.
- Light source: COB LED with a lens of optical.
- The downlight tilts to a maximum of 0°-30° onto the vertical plane.
- The light can be compatible with emergency battery.
- CRI>80
- IP44



POWER	CCT	LUMEN OUTPUT	BEAM ANGLE	COLOR FINISH	CONTROL GEAR (LED DRIVER)
6W 10W	2700K 3000K 4000K	660LM 1100LM	24° 36° 60°	White Silver Black	Non Dimmable 1-10V Dimmable DALI Dimmable Triac Dimmable

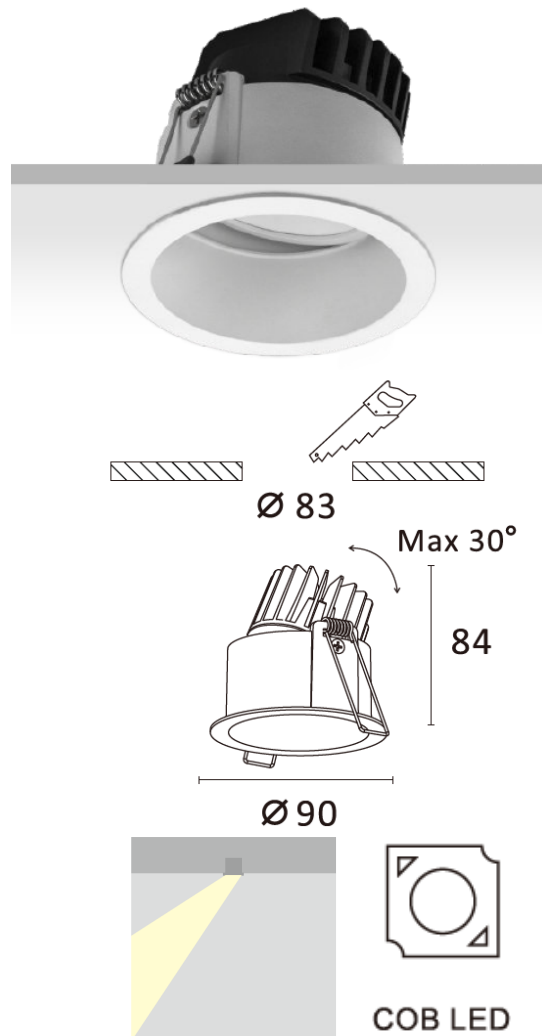


# LED DOWNLIGHT

## EAS-DL146-JR6940

### Technical Details

- Housing and Mounting ring: Cast aluminum.
- Light source: COB LED with a lens of optical.
- The downlight tilts to a maximum of 0°-30° onto the vertical plane.
- The light can be compatible with emergency battery.
- CRI>80
- IP44



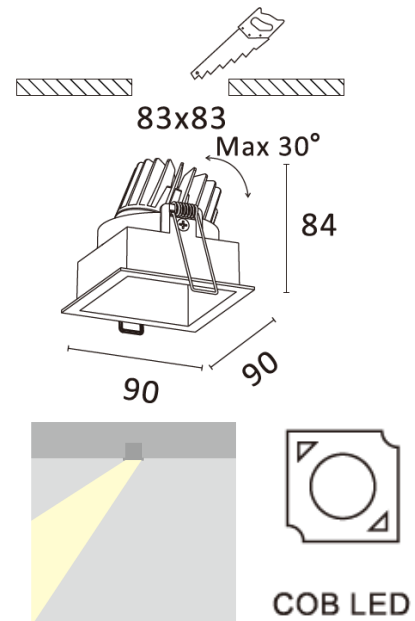
POWER	CCT	LUMEN OUTPUT	BEAM ANGLE	COLOR FINISH	CONTROL GEAR (LED DRIVER)
15W	2700K 3000K 4000K	1440LM	24° 36° 60°	White Silver Black	Non Dimmable 1-10V Dimmable DALI Dimmable Triac Dimmable

# LED DOWNLIGHT

## EAS-DL146-JR6961

### Technical Details

- Housing and Mounting ring: Cast aluminum.
- Light source: COB LED with a lens of optical.
- The downlight tilts to a maximum of 0°-30° onto the vertical plane.
- The light can be compatible with emergency battery.
- CRI>80
- IP44



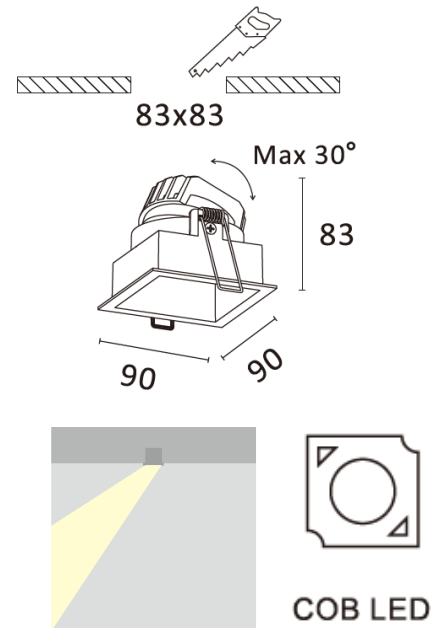
POWER	CCT	LUMEN OUTPUT	BEAM ANGLE	COLOR FINISH	CONTROL GEAR (LED DRIVER)
6W 10W	2700K 3000K 4000K	670LM 1130LM	24° 36° 60°	White Silver Black	Non Dimmable 1-10V Dimmable DALI Dimmable Triac Dimmable

# LED DOWNLIGHT

## EAS-DL146-JR6941

### Technical Details

- Housing and Mounting ring: Cast aluminum.
- Light source: COB LED with a lens of optical.
- The downlight tilts to a maximum of 0°-30° onto the vertical plane.
- The light can be compatible with emergency battery.
- CRI>80
- IP44



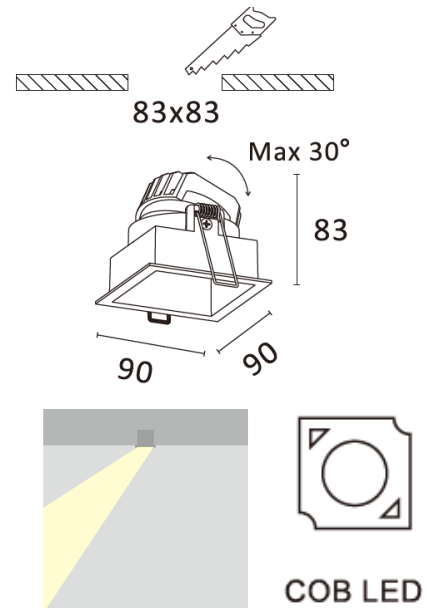
POWER	CCT	LUMEN OUTPUT	BEAM ANGLE	COLOR FINISH	CONTROL GEAR (LED DRIVER)
15W	2700K 3000K 4000K	1450LM	24° 36° 60°	White Silver Black	Non Dimmable 1-10V Dimmable DALI Dimmable Triac Dimmable

# LED DOWNLIGHT

## EAS-DL146-JR6941

### Technical Details

- Housing and Mounting ring: Cast aluminum.
- Light source: COB LED with a lens of optical.
- The downlight tilts to a maximum of 0°-30° onto the vertical plane.
- The light can be compatible with emergency battery.
- CRI>80
- IP44



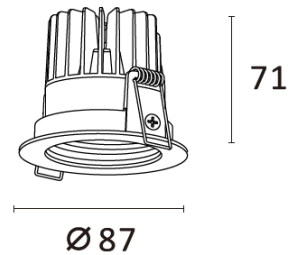
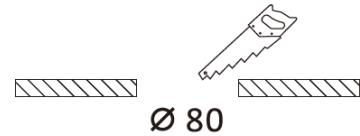
POWER	CCT	LUMEN OUTPUT	BEAM ANGLE	COLOR FINISH	CONTROL GEAR (LED DRIVER)
15W	2700K 3000K 4000K	1450LM	24° 36° 60°	White Silver Black	Non Dimmable 1-10V Dimmable DALI Dimmable Triac Dimmable

# LED DOWNLIGHT

## EAS-DL146-JR6900

### Technical Details

- Housing and Mounting ring: Cast aluminum.
- Light source: COB LED with a lens of optical.
- Anti- dazzling ring: Black.
- Accessories: Anti-Glare Snoot and honey comb is optional.
- UGR<15.
- The light can be compatible with emergency battery.
- CRI>80
- IP44



### Optical Accessories

**60048**  
Honey comb



POWER	CCT	LUMEN OUTPUT	BEAM ANGLE	COLOR FINISH	CONTROL GEAR (LED DRIVER)
6W 10W	2700K 3000K 4000K	390LM 690LM	10° 24° 36° 60°	White Silver Black	Non Dimmable 1-10V Dimmable DALI Dimmable Triac Dimmable

# LED DOWNLIGHT

## EAS-DL146-JR6930

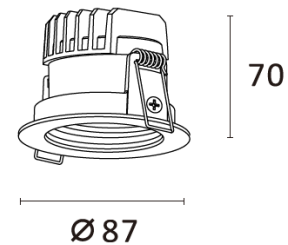
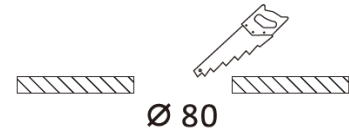
### Technical Details

- Housing and Mounting ring: Cast aluminum
- Light source: COB LED with a lens of optical
- Anti- dazzling ring: Black
- Accessories: Anti-Glare Snoot and honey comb is optional.
- UGR<15
- The light can be compatible with emergency battery
- CRI>80
- IP44



### Optical Accessories

**60048**  
Honey comb



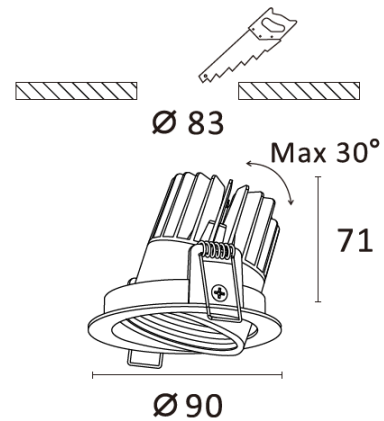
POWER	CCT	LUMEN OUTPUT	BEAM ANGLE	COLOR FINISH	CONTROL GEAR (LED DRIVER)
15W	2700K 3000K 4000K	895LM	10° 24° 36° 60°	White Silver Black	Non Dimmable 1-10V Dimmable DALI Dimmable Triac Dimmable

# LED DOWNLIGHT

## EAS-DL146-JR6901

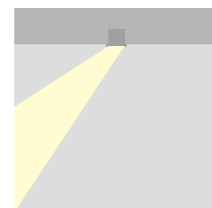
### Technical Details

- Housing and Mounting ring: Cast aluminum
- The spot light tilts to a maximum of 0-30° onto the vertical plane.
- Light source: COB LED with a lens of optical
- Anti- dazzling ring: Black
- Accessories: Anti-Glare Snoot and honey comb is optional.
- UGR<15
- The light can be compatible with emergency battery
- CRI>80
- IP44



### Optical Accessories

**60048**  
Honey comb



COB LED

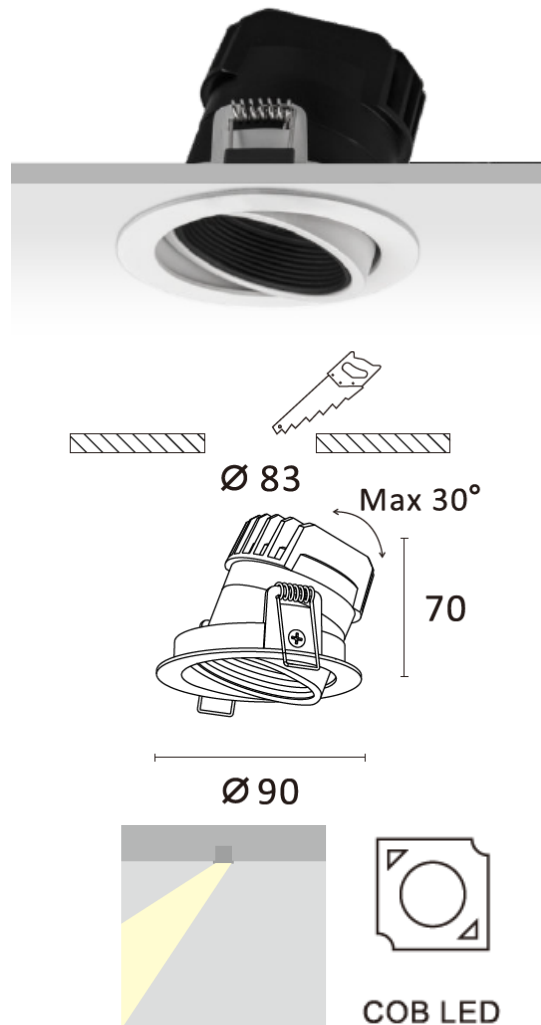
POWER	CCT	LUMEN OUTPUT	BEAM ANGLE	COLOR FINISH	CONTROL GEAR (LED DRIVER)
6W 10W	2700K 3000K 4000K	390LM 690LM	10° 24° 36° 60°	White Silver Black	Non Dimmable 1-10V Dimmable DALI Dimmable Triac Dimmable

# LED DOWNLIGHT

## EAS-DL146-JR6931

### Technical Details

- Housing and Mounting ring: Cast aluminum
- The spot light tilts to a maximum of 0-30° onto the vertical plane.
- Light source: COB LED with a lens of optical
- Anti- dazzling ring: Black
- Accessories: Anti-Glare Snoot and honey comb is optional.
- UGR<15
- The light can be compatible with emergency battery
- CRI>80
- IP44



### Optical Accessories



POWER	CCT	LUMEN OUTPUT	BEAM ANGLE	COLOR FINISH	CONTROL GEAR (LED DRIVER)
15W	2700K 3000K 4000K	895LM	10° 24° 36° 60°	White Silver Black	Non Dimmable 1-10V Dimmable DALI Dimmable Triac Dimmable

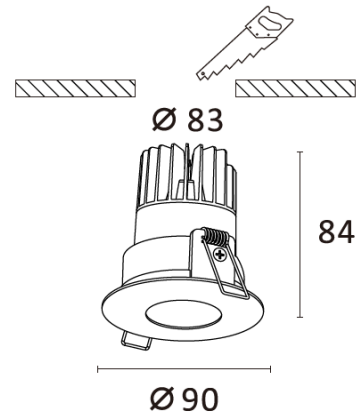


# LED DOWNLIGHT

## EAS-DL146-JR6904

### Technical Details

- Housing and Mounting ring: Cast aluminum
- Light source: COB LED with a lens of optical
- Anti- dazzling ring: Black
- UGR<10
- The light can be compatible with emergency battery
- CRI>80
- IP44



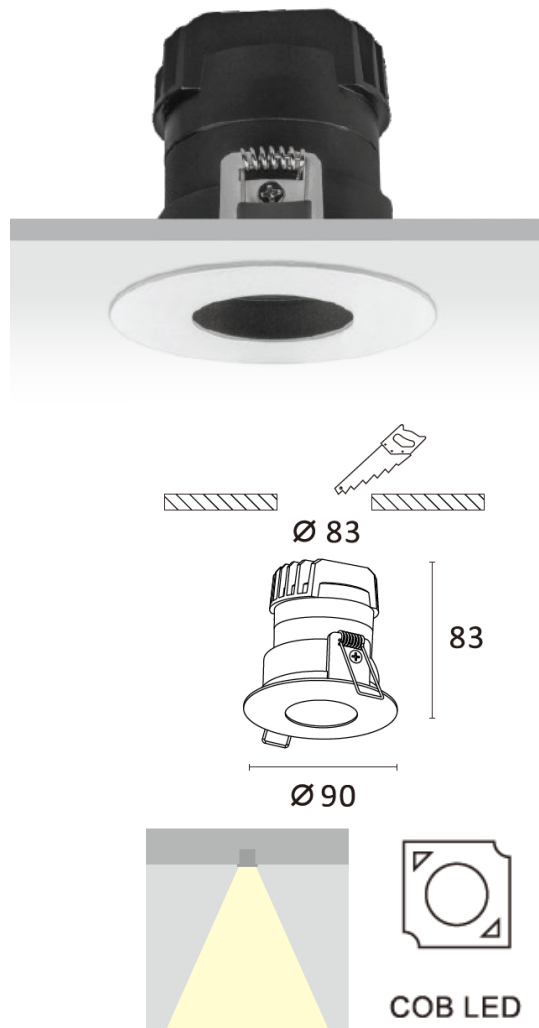
POWER	CCT	LUMEN OUTPUT	BEAM ANGLE	COLOR FINISH	CONTROL GEAR (LED DRIVER)
6W 10W	2700K 3000K 4000K	230LM 420LM	10° 24° 36° 60°	White Silver Black	Non Dimmable 1-10V Dimmable DALI Dimmable Triac Dimmable

# LED DOWNLIGHT

## EAS-DL146-JR6935

### Technical Details

- Housing and Mounting ring: Cast aluminum
- Light source: COB LED with a lens of optical
- Anti- dazzling ring: Black
- UGR<10
- The light can be compatible with emergency battery
- CRI>80
- IP44



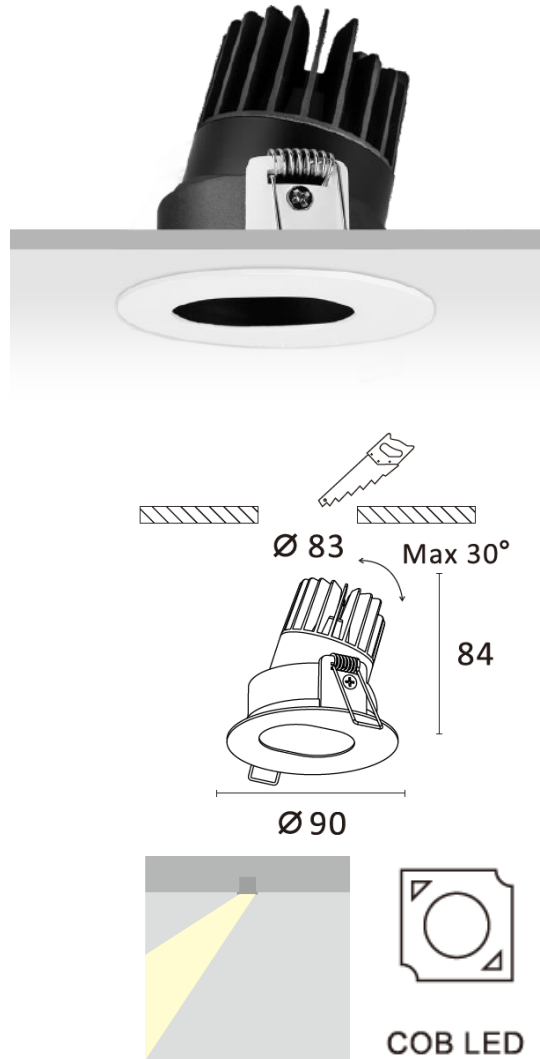
POWER	CCT	LUMEN OUTPUT	BEAM ANGLE	COLOR FINISH	CONTROL GEAR (LED DRIVER)
15W	2700K 3000K 4000K	701LM	10° 24° 36° 60°	White Silver Black	Non Dimmable 1-10V Dimmable DALI Dimmable Triac Dimmable

# LED DOWNLIGHT

## EAS-DL146-JR6905

### Technical Details

- Housing and Mounting ring: Cast aluminum
- The spot light tilts to a maximum of 0-30° onto the vertical plane.
- Light source: COB LED with a lens of optical
- Anti- dazzling ring: Black
- UGR<10
- The light can be compatible with emergency battery
- CRI>80
- IP44



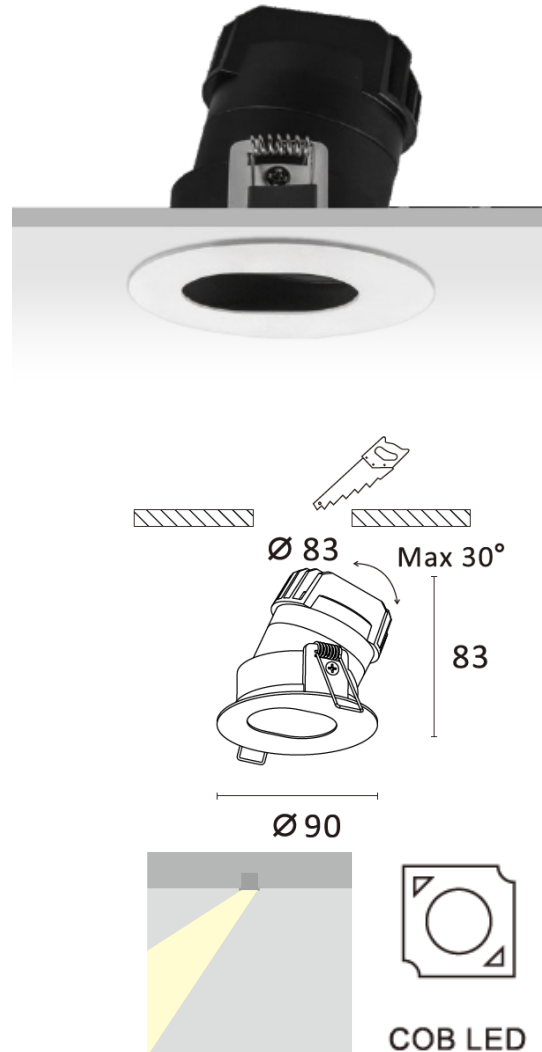
POWER	CCT	LUMEN OUTPUT	BEAM ANGLE	COLOR FINISH	CONTROL GEAR (LED DRIVER)
6W 10W	2700K 3000K 4000K	250LM 450LM	10° 24° 36° 60°	White Silver Black	Non Dimmable 1-10V Dimmable DALI Dimmable Triac Dimmable

# LED DOWNLIGHT

## EAS-DL146-JR6934

### Technical Details

- Housing and Mounting ring: Cast aluminum
- The spot light tilts to a maximum of 0-30° onto the vertical plane.
- Light source: COB LED with a lens of optical
- Anti- dazzling ring: Black
- UGR<10
- The light can be compatible with emergency battery
- CRI>80
- IP44



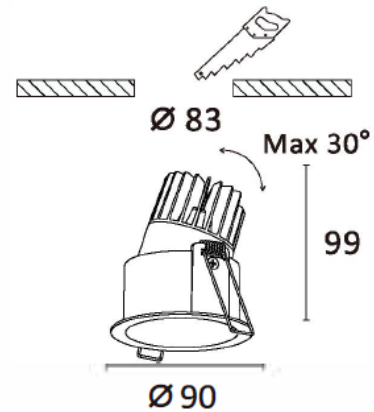
POWER	CCT	LUMEN OUTPUT	BEAM ANGLE	COLOR FINISH	CONTROL GEAR (LED DRIVER)
15W	2700K 3000K 4000K	686LM	10° 24° 36° 60°	White Silver Black	Non Dimmable 1-10V Dimmable DALI Dimmable Triac Dimmable

# LED DOWNLIGHT

## EAS-DL146-JR6902

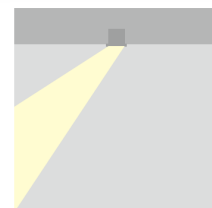
### Technical Details

- Housing and Mounting ring: Cast aluminum
- The spot light tilts to a maximum of 0-30° onto the vertical plane.
- Light source: COB LED with a lens of optical
- Anti- dazzling ring: Black
- Accessories: Anti-Glare Snoot and honey comb is optional.
- UGR<13
- The light can be compatible with emergency battery
- CRI>80
- IP44



### Optical Accessories

**60048**  
Honey comb



COB LED

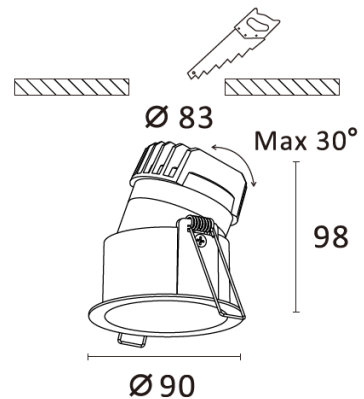
POWER	CCT	LUMEN OUTPUT	BEAM ANGLE	COLOR FINISH	CONTROL GEAR (LED DRIVER)
6W 10W	2700K 3000K 4000K	350LM 600LM	10° 24° 36° 60°	White Silver Black	Non Dimmable 1-10V Dimmable DALI Dimmable Triac Dimmable

# LED DOWNLIGHT

## EAS-DL146-JR6932

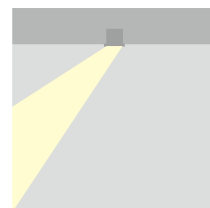
### Technical Details

- Housing and Mounting ring: Cast aluminum
- The spot light tilts to a maximum of 0-30° onto the vertical plane.
- Light source: COB LED with a lens of optical
- Anti- dazzling ring: Black
- Accessories: Anti-Glare Snoot and honey comb is optional.
- UGR<13
- The light can be compatible with emergency battery
- CRI>80
- IP44



### Optical Accessories

**60048**  
Honey comb



COB LED

POWER	CCT	LUMEN OUTPUT	BEAM ANGLE	COLOR FINISH	CONTROL GEAR (LED DRIVER)
15W	2700K 3000K 4000K	816LM	10° 24° 36° 60°	White Silver Black	Non Dimmable 1-10V Dimmable DALI Dimmable Triac Dimmable

# LED DOWNLIGHT

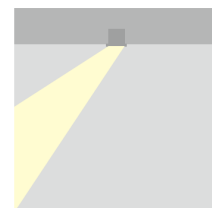
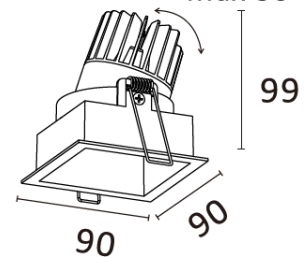
## EAS-DL146-JR6903

### Technical Details

- Housing and Mounting ring: Cast aluminum
- The spot light tilts to a maximum of 0-30° onto the vertical plane.
- Light source: COB LED with a lens of optical
- Anti- dazzling ring: Black
- Accessories: Anti-Glare Snoot and honey comb is optional.
- UGR<13
- The light can be compatible with emergency battery
- CRI>80
- IP44



83x83  
Max 30°



COB LED

### Optical Accessories

60048  
Honey comb



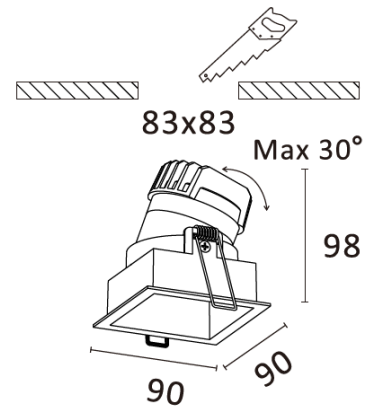
POWER	CCT	LUMEN OUTPUT	BEAM ANGLE	COLOR FINISH	CONTROL GEAR (LED DRIVER)
6W 10W	2700K 3000K 4000K	360LM 640LM	10° 24° 36° 60°	White Silver Black	Non Dimmable 1-10V Dimmable DALI Dimmable Triac Dimmable

# LED DOWNLIGHT

## EAS-DL146-JR6933

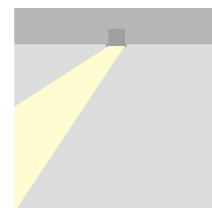
### Technical Details

- Housing and Mounting ring: Cast aluminum
- The spot light tilts to a maximum of 0-30° onto the vertical plane.
- Light source: COB LED with a lens of optical
- Anti- dazzling ring: Black
- Accessories: Anti-Glare Snoot and honey comb is optional.
- UGR<14
- The light can be compatible with emergency battery
- CRI>80
- IP44



### Optical Accessories

**60048**  
Honey comb



COB LED

POWER	CCT	LUMEN OUTPUT	BEAM ANGLE	COLOR FINISH	CONTROL GEAR (LED DRIVER)
15W	2700K 3000K 4000K	795LM	10° 24° 36° 60°	White Silver Black	Non Dimmable 1-10V Dimmable DALI Dimmable Triac Dimmable

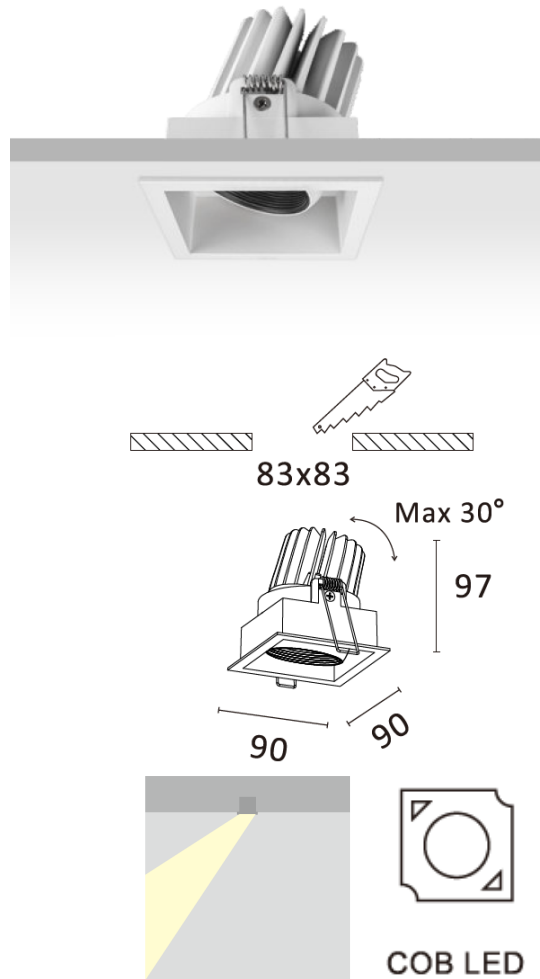


# LED DOWNLIGHT

## EAS-DL146-JR6925

### Technical Details

- Housing and Mounting ring: Cast aluminum
- The spot light tilts to a maximum of 0-30° onto the vertical plane.
- Light source: COB LED with a lens of optical
- Anti- dazzling ring: Black
- UGR<15
- CRI>80
- IP44



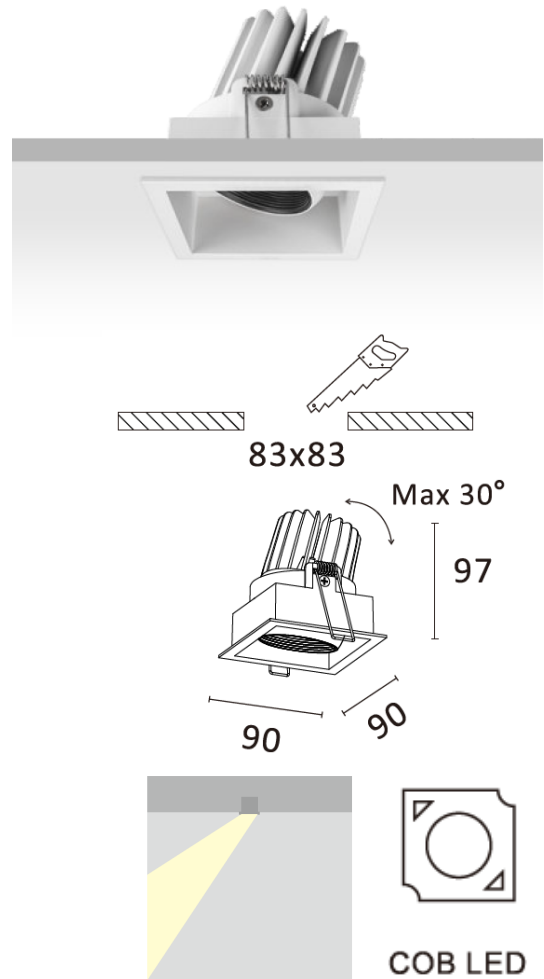
POWER	CCT	LUMEN OUTPUT	BEAM ANGLE	COLOR FINISH	CONTROL GEAR (LED DRIVER)
6W	2700K 3000K 4000K	574LM	24° 36° 60°	White Silver Black	Non Dimmable 1-10V Dimmable DALI Dimmable Triac Dimmable

# LED DOWNLIGHT

## EAS-DL146-JR6925

### Technical Details

- Housing and Mounting ring: Cast aluminum
- The spot light tilts to a maximum of 0-30° onto the vertical plane.
- Light source: COB LED with a lens of optical
- Anti- dazzling ring: Black
- UGR<15
- CRI>80
- IP44



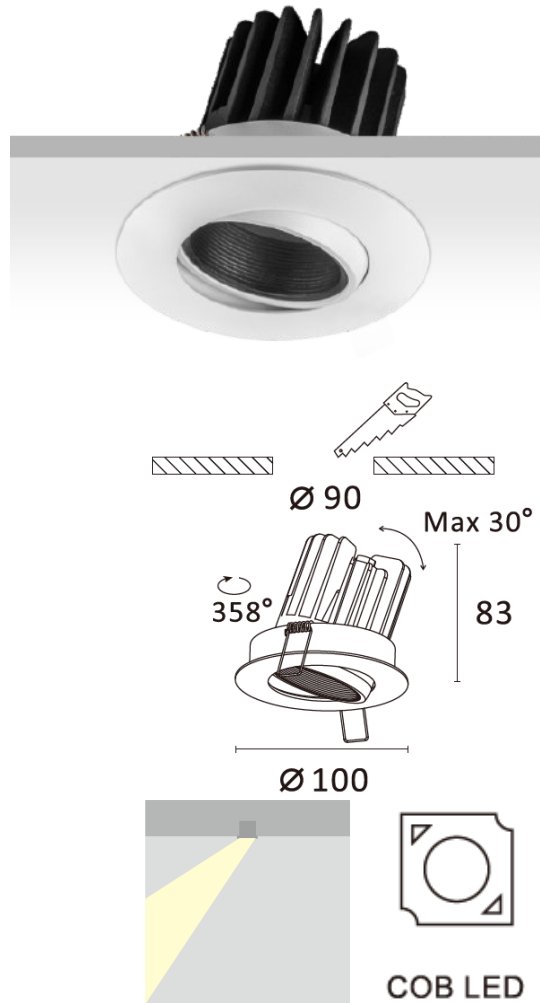
POWER	CCT	LUMEN OUTPUT	BEAM ANGLE	COLOR FINISH	CONTROL GEAR (LED DRIVER)
6W	2700K	574LM	24°	White Silver Black	Non Dimmable 1-10V Dimmable DALI Dimmable Triac Dimmable
10W	3000K	1012LM	36°		
15W	4000K	1060LM	60°		

# LED DOWNLIGHT

## EAS-DL146-JR6262

### Technical Details

- Housing and Mounting ring: Cast aluminum
- The spot light tilts to a maximum of 0-30° onto the vertical plane.
- Light source: COB LED with a lens of optical
- Anti- dazzling ring: Black
- The light can be compatible with emergency battery
- UGR<15
- CRI>80
- IP44



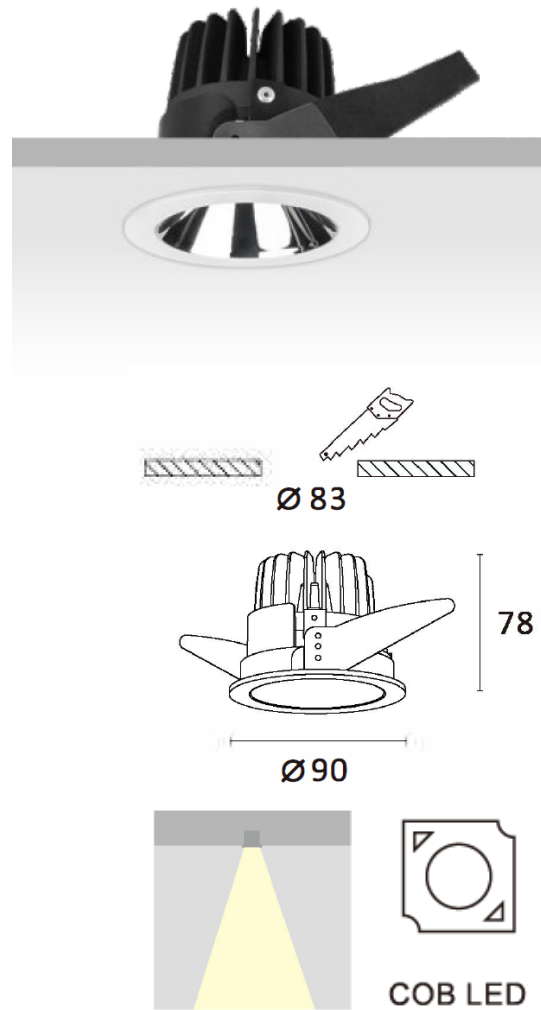
POWER	CCT	LUMEN OUTPUT	BEAM ANGLE	COLOR FINISH	CONTROL GEAR (LED DRIVER)
6W 10W 15W	2700K 3000K 4000K	573LM 1012LM 1302LM	24° 36°	White Silver Black	Non Dimmable 1-10V Dimmable DALI Dimmable Triac Dimmable

# LED DOWNLIGHT

## EAS-DL146-JR6140

### Technical Details

- Housing and mounting ring: Cast aluminum.
- Light source: COB LED with a lens of optical.
- Reflector: Plastic electroplated, black or champagne gold.
- The light can be compatible with emergency battery
- CRI>80
- IP44



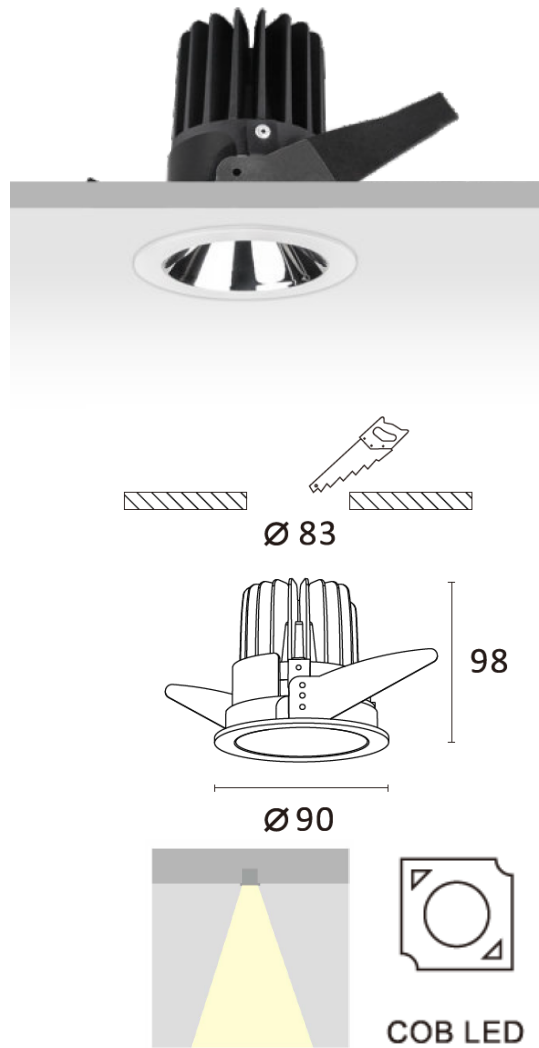
POWER	CCT	LUMEN OUTPUT	BEAM ANGLE	COLOR FINISH	CONTROL GEAR (LED DRIVER)
6W 10W	2700K 3000K 4000K	450LM 800LM	24° 36°	White Silver Black	Non Dimmable 1-10V Dimmable DALI Dimmable Triac Dimmable

# LED DOWNLIGHT

## EAS-DL146-JR6146

### Technical Details

- Housing and mounting ring: Cast aluminum.
- Light source: COB LED with a lens of optical.
- Reflector: Plastic electroplated, black or champagne gold.
- The light can be compatible with emergency battery
- CRI>80
- IP44



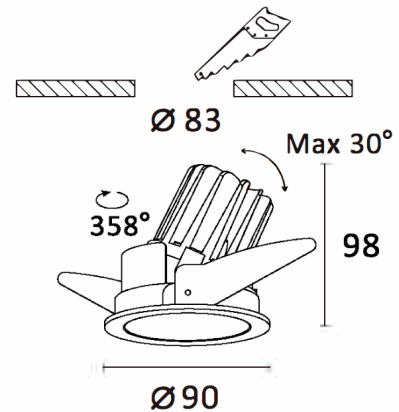
POWER	CCT	LUMEN OUTPUT	BEAM ANGLE	COLOR FINISH	CONTROL GEAR (LED DRIVER)
15W	2700K 3000K 4000K	1000LM	24° 36°	White Silver Black	Non Dimmable 1-10V Dimmable DALI Dimmable Triac Dimmable

# LED DOWNLIGHT

## EAS-DL146-JR6200

### Technical Details

- Housing and mounting ring: Cast aluminum.
- The spot light tilts to a maximum of 0°-30 ° onto the vertical plane and rotates by 358° onto the horizontal plane.
- Light source: COB LED with a lens of optical.
- Reflector: Plastic electroplated, black or champagne gold.
- The light can be compatible with emergency battery
- CRI>80
- IP44



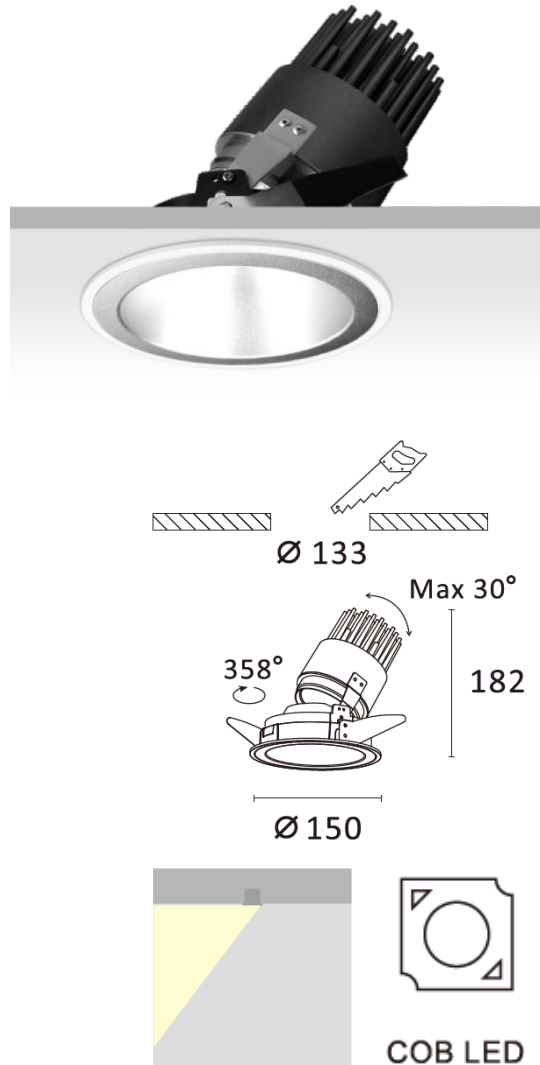
POWER	CCT	LUMEN OUTPUT	BEAM ANGLE	COLOR FINISH	CONTROL GEAR (LED DRIVER)
15W	2700K 3000K 4000K	1000LM	24° 36°	White Silver Black	Non Dimmable 1-10V Dimmable DALI Dimmable Triac Dimmable

# LED WALL WASHER LIGHT

## EAS-DL146-JR6093

### Technical Details

- Housing and mounting ring: Cast aluminum.
- The spot light tilts to a maximum of 0°-30 ° onto the vertical plane and rotates by 358° onto the horizontal plane.
- Light source: COB LED with a lens of optical.
- Reflector: Aluminum satin-matt anodized
- The light can be compatible with emergency battery
- CRI>80
- IP20



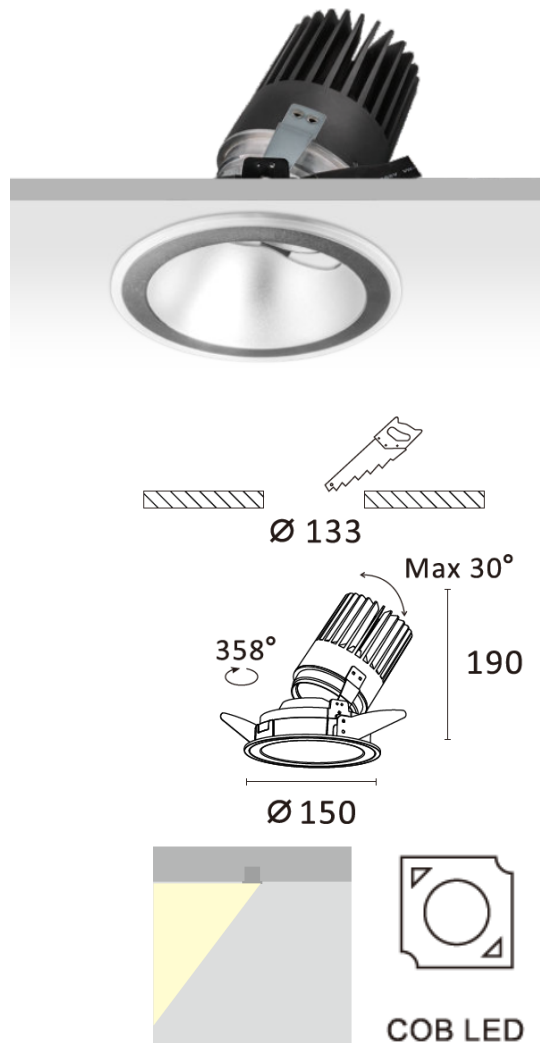
POWER	CCT	LUMEN OUTPUT	BEAM ANGLE	COLOR FINISH	CONTROL GEAR (LED DRIVER)
20W	2700K	1914LM	15°	White Silver Black	Non Dimmable 1-10V Dimmable DALI Dimmable Triac Dimmable
25W	3000K	2252LM	24°		
30W	4000K	2720LM	36°		
			48°		
			60°		

# LED WALL WASHER LIGHT

## EAS-DL146-JR6313

### Technical Details

- Housing and mounting ring: Cast aluminum.
- The spot light tilts to a maximum of 0°-30 ° onto the vertical plane and rotates by 358° onto the horizontal plane.
- Light source: COB LED with a lens of optical.
- Reflector: Aluminum satin-matt anodized
- The light can be compatible with emergency battery
- CRI>80
- IP20



POWER	CCT	LUMEN OUTPUT	BEAM ANGLE	COLOR FINISH	CONTROL GEAR (LED DRIVER)
30W 40W	2700K 3000K 4000K	2980LM 3780LM	15° 24° 36°	White Silver Black	Non Dimmable 1-10V Dimmable DALI Dimmable Triac Dimmable

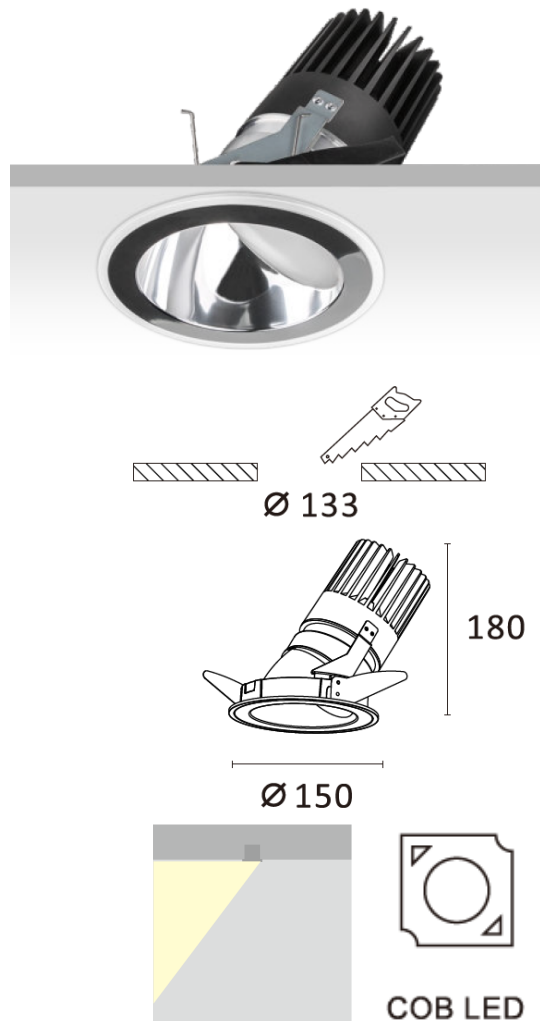


# LED WALL WASHER LIGHT

## EAS-DL146-JR6304

### Technical Details

- Housing and Mounting ring: Cast aluminum.
- Light source: COB LED with a high efficiency optical reflector and acrylic diffuser.
- Reflector: Aluminum bright anodised.
- CRI>80
- IP20

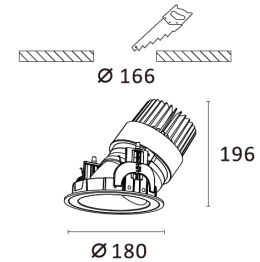
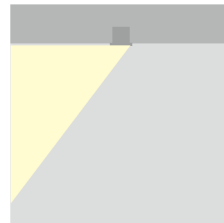


POWER	CCT	LUMEN OUTPUT	BEAM ANGLE	COLOR FINISH	CONTROL GEAR (LED DRIVER)
30W 40W	2700K 3000K 4000K	2276LM 2807LM	24° 36°	White Silver Black	Non Dimmable 1-10V Dimmable DALI Dimmable Triac Dimmable

# LED WALL WASHER DOWNLIGHT EAS-DL146-JR6304

## Technical Details

- Housing and Mounting ring: Cast aluminum.
- Light source: COB LED with a high efficiency optical reflector and acrylic diffuser.
- Reflector: Aluminum bright anodised.
- CRI>80
- IP20



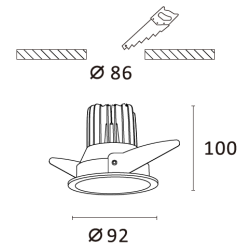
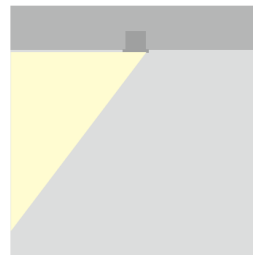
COB LED

POWER	CCT	LUMEN OUTPUT	BEAM ANGLE	COLOR FINISH	CONTROL GEAR (LED DRIVER)
30W	2700K	2260LM	24° 36°	White Silver Black	Non Dimmable 1-10V Dimmable DALI Dimmable Triac Dimmable
40W	3000K	2820LM			
50W	4000K	3522LM			

# LED WALL WASHER DOWNLIGHT EAS-DL146-JR6320

## Technical Details

- Housing and Mounting ring: Cast aluminum.
- Light source: COB LED with a high efficiency optical reflector and acrylic diffuser.
- Reflector: Aluminum bright anodised.
- CRI>80
- IP20



COB LED

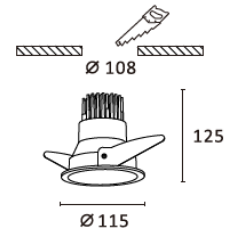
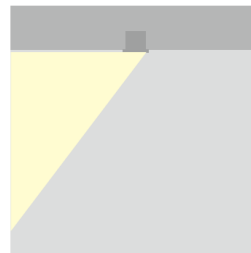
POWER	CCT	LUMEN OUTPUT	BEAM ANGLE	COLOR FINISH	CONTROL GEAR (LED DRIVER)
10W 15W	2700K 3000K 4000K	640LM 1145LM	15° 24° 36°	White Silver Black	Non Dimmable 1-10V Dimmable DALI Dimmable Triac Dimmable

# LED WALL WASHER LIGHT

## EAS-DL146-JR6330

### Technical Details

- Housing and Mounting ring: Cast aluminum.
- Light source: COB LED with a high efficiency optical reflector and acrylic diffuser.
- Reflector: Aluminum bright anodised.
- CRI>80
- IP20



COB LED

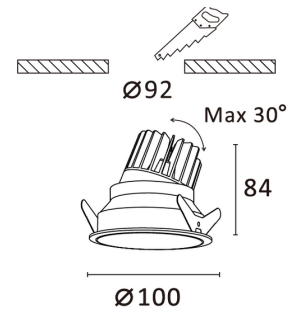
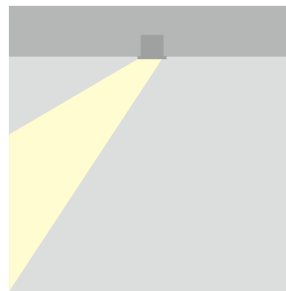
POWER	CCT	LUMEN OUTPUT	BEAM ANGLE	COLOR FINISH	CONTROL GEAR (LED DRIVER)
20W	2700K	1760LM	15°	White Silver Black	Non Dimmable 1-10V Dimmable DALI Dimmable Triac Dimmable
25W	3000K	1980LM	24°		
30W	4000K	2571LM	36°		

# LED DOWNLIGHT

## EAS-DL146-JR6897

### Technical Details

- Housing and Cast aluminum
- Mounting ring: Aluminum alloy.
- Anti-dazzle ring: Aluminum alloy.
- Light source: COB LED with a lens of optical.
- The spot light yo a maximum of 0-30° onto the vertical plane.
- Embedded parts make it easy to install and remove so as to .protect ceiling
- The light can be compatible with the emergency battery.
- UGR<19.
- CRI>80
- IP Rate; IP44



COB LED

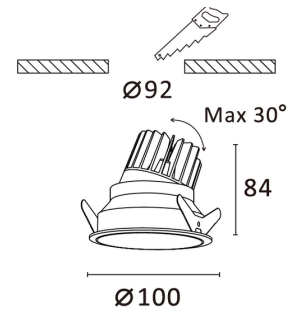
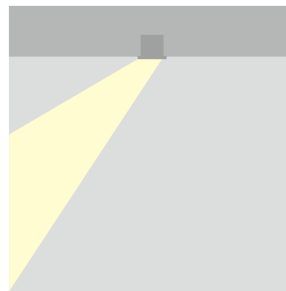
POWER	CCT	LUMEN OUTPUT	BEAM ANGLE	COLOR FINISH	CONTROL GEAR (LED DRIVER)
6W 10W	2700K 3000K 4000K	380LM 650LM	24° 36° 60°	White Silver Black	Non Dimmable 1-10V Dimmable DALI Dimmable Triac Dimmable

# LED DOWNLIGHT

## EAS-DL146-JR6897

### Technical Details

- Housing and Cast aluminum
- Mounting ring: Aluminum alloy.
- Anti-dazzle ring: Aluminum alloy.
- Light source: COB LED with a lens of optical.
- The spot light tilts to a maximum of 0-30° onto the vertical plane.
- Embedded parts make it easy to install and remove so as to .protect ceiling
- The light can be compatible with the emergency battery.
- UGR<19.
- CRI>80
- IP Rate: IP44



COB LED

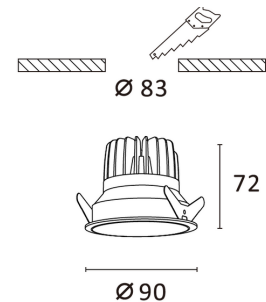
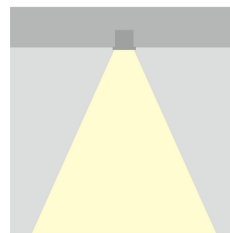
POWER	CCT	LUMEN OUTPUT	BEAM ANGLE	COLOR FINISH	CONTROL GEAR (LED DRIVER)
6W 10W	2700K 3000K 4000K	380LM 650LM	24° 36° 60°	White Silver Black	Non Dimmable 1-10V Dimmable DALI Dimmable Triac Dimmable

# LED DOWNLIGHT

## EAS-DL146-JR6340

### Technical Details

- Housing and Cast aluminum
- Mounting ring: Aluminum alloy.
- Anti-dazzle ring: Aluminum alloy.
- Light source: COB LED with a lens of optical.
- Embedded parts make it easy to install and remove so as to protect ceiling
- The light can be compatible with the emergency battery.
- UGR<19.
- CRI>80
- IP Rate: IP44



COB LED

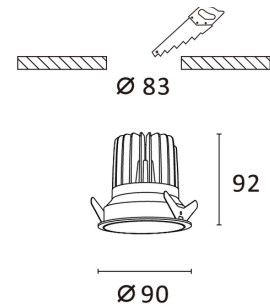
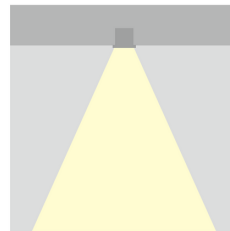
POWER	CCT	LUMEN OUTPUT	BEAM ANGLE	COLOR FINISH	CONTROL GEAR (LED DRIVER)
6W 10W	2700K 3000K 4000K	460LM 800LM	24° 36° 60°	White Silver Black	Non Dimmable 1-10V Dimmable DALI Dimmable Triac Dimmable

# LED DOWNLIGHT

## EAS-DL146-JR6341

### Technical Details

- Housing and Cast aluminum
- Mounting ring: Aluminum alloy.
- Anti-dazzle ring: Aluminum alloy.
- Light source: COB LED with a lens of optical.
- Embedded parts make it easy to install and remove so as to protect ceiling
- The light can be compatible with the emergency battery.
- UGR<19.
- CRI>80
- IP Rate: IP44



COB LED

POWER	CCT	LUMEN OUTPUT	BEAM ANGLE	COLOR FINISH	CONTROL GEAR (LED DRIVER)
100W	2700K 3000K 4000K	1000LM	15° 24° 36° 60°	White Silver Black	Non Dimmable 1-10V Dimmable DALI Dimmable Triac Dimmable

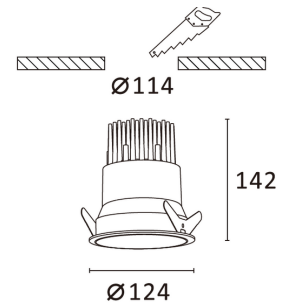
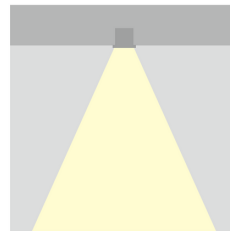


# LED DOWNLIGHT

## EAS-DL146-JR6343

### Technical Details

- Housing and Cast aluminum
- Mounting ring: Aluminum alloy.
- Anti-dazzle ring: Aluminum alloy.
- Light source: COB LED with a lens of optical.
- Embedded parts make it easy to install and remove so as to protect ceiling
- The light can be compatible with the emergency battery.
- UGR<19.
- CRI>80
- IP Rate: IP44



COB LED

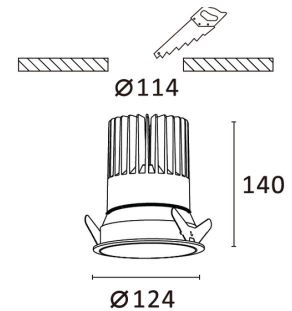
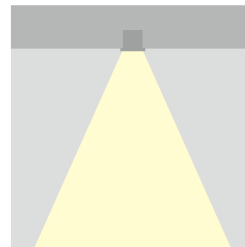
POWER	CCT	LUMEN OUTPUT	BEAM ANGLE	COLOR FINISH	CONTROL GEAR (LED DRIVER)
120W	2700K 3000K 4000K	2271LM	15° 30° 45°	White Silver Black	Non Dimmable 1-10V Dimmable DALI Dimmable Triac Dimmable

# LED DOWNLIGHT

## EAS-DL146-JR6317

### Technical Details

- Housing and Cast aluminum
- Mounting ring: Aluminum alloy.
- Anti-dazzle ring: Aluminum alloy.
- Light source: COB LED with a lens of optical.
- Embedded parts make it easy to install and remove so as to protect ceiling
- The light can be compatible with the emergency battery.
- UGR<19.
- CRI>80
- IP Rate: IP44



COB LED

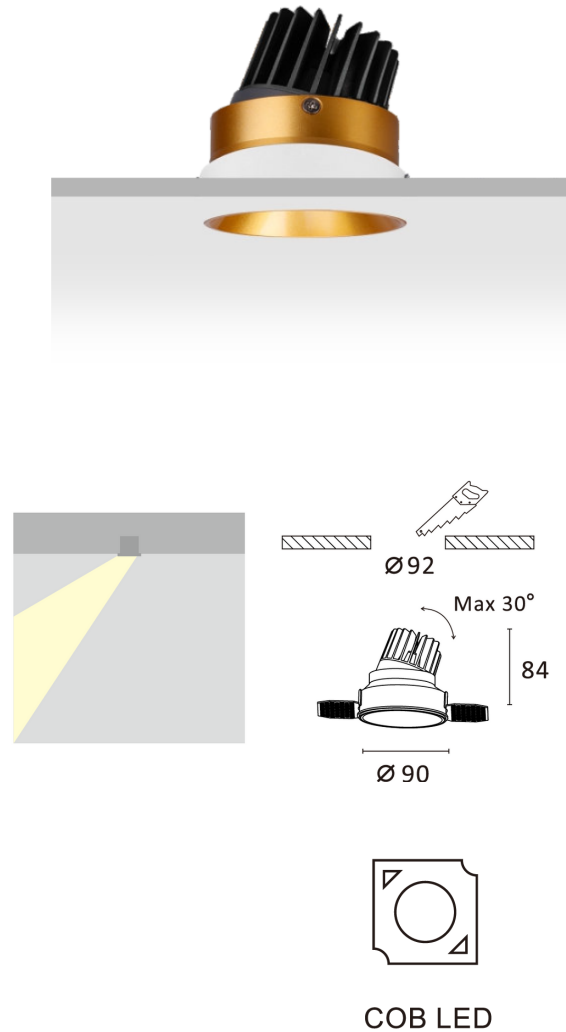
POWER	CCT	LUMEN OUTPUT	BEAM ANGLE	COLOR FINISH	CONTROL GEAR (LED DRIVER)
30W	2700K 3000K 4000K	2943LM	15° 30° 45°	White Silver Black	Non Dimmable 1-10V Dimmable DALI Dimmable Triac Dimmable

# LED DOWNLIGHT

## EAS-DL146-JR6894

### Technical Details

- Housing and Cast aluminum
- Mounting ring: Aluminum alloy.
- Anti-dazzle ring: Aluminum alloy.
- Light source: COB LED with a lens of optical.
- The spot light tilts to a maximum of 0-30° onto the vertical plane.
- Embedded parts make it easy to install and remove so as to protect ceiling
- The light can be compatible with the emergency battery.
- UGR<19.
- CRI>80
- IP Rate: IP44



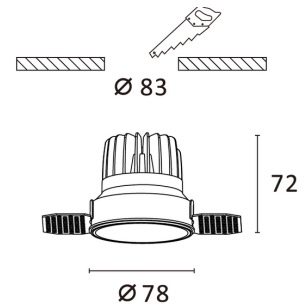
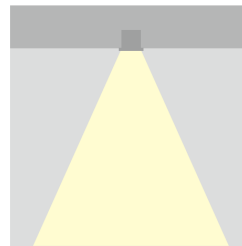
POWER	CCT	LUMEN OUTPUT	BEAM ANGLE	COLOR FINISH	CONTROL GEAR (LED DRIVER)
6W 10W	2700K 3000K 4000K	272LM 432LM	24° 36° 60°	White Silver Black	Non Dimmable 1-10V Dimmable DALI Dimmable Triac Dimmable

# LED DOWNLIGHT

## EAS-DL146-JR6309

### Technical Details

- Housing and Cast aluminum
- Mounting ring: Aluminum alloy.
- Anti-dazzle ring: Aluminum alloy.
- Light source: COB LED with a lens of optical.
- Embedded parts make it easy to install and remove so as to protect ceiling
- The light can be compatible with the emergency battery.
- UGR<19.
- CRI>80
- IP Rate: IP44



COB LED

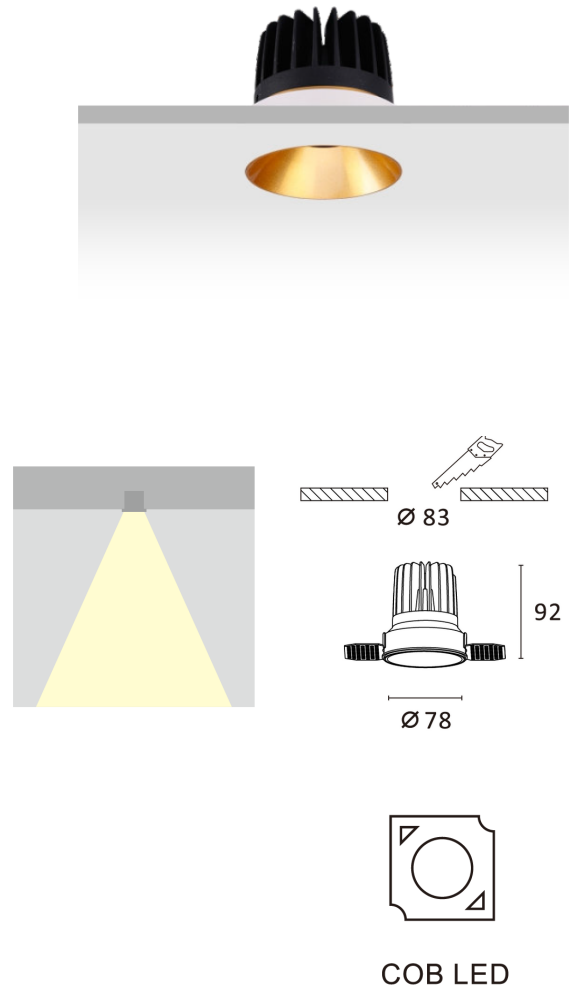
POWER	CCT	LUMEN OUTPUT	BEAM ANGLE	COLOR FINISH	CONTROL GEAR (LED DRIVER)
6W 10W	2700K 3000K 4000K	460LM 800LM	24° 36° 60°	White Silver Black	Non Dimmable 1-10V Dimmable DALI Dimmable Triac Dimmable

# LED DOWNLIGHT

## EAS-DL146-JR6315

### Technical Details

- Housing and Cast aluminum
- Mounting ring: Aluminum alloy.
- Anti-dazzle ring: Aluminum alloy.
- Light source: COB LED with a lens of optical.
- Embedded parts make it easy to install and remove so as to protect ceiling
- The light can be compatible with the emergency battery.
- UGR<19.
- CRI>80
- IP Rate: IP44



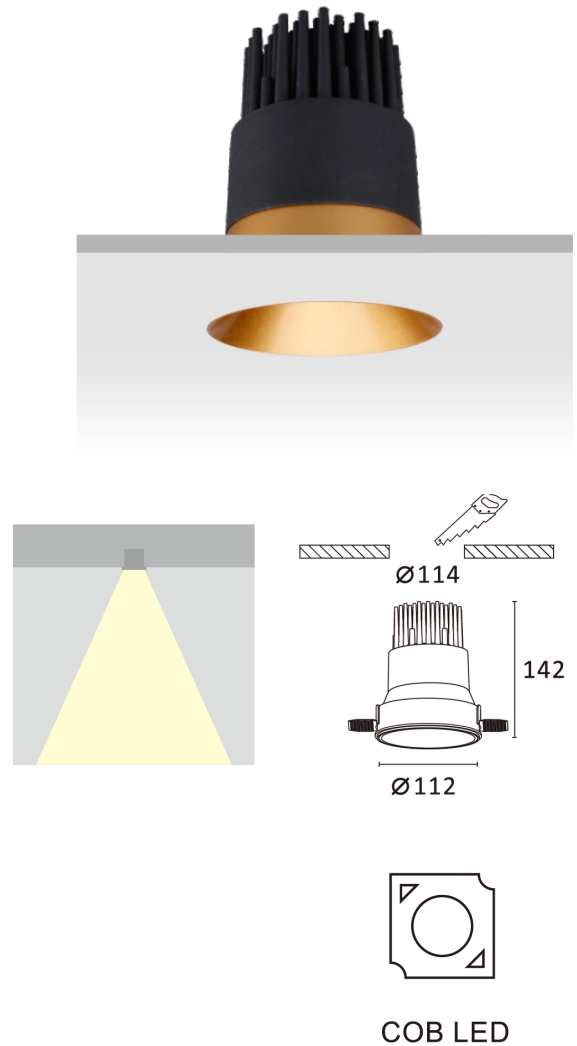
POWER	CCT	LUMEN OUTPUT	BEAM ANGLE	COLOR FINISH	CONTROL GEAR (LED DRIVER)
15W	2700K 3000K 4000K	1000LM	15° 24° 36° 60°	White Silver Black	Non Dimmable 1-10V Dimmable DALI Dimmable Triac Dimmable

# LED DOWNLIGHT

## EAS-DL146-JR6311

### Technical Details

- Housing and Cast aluminum
- Mounting ring: Aluminum alloy.
- Anti-dazzle ring: Aluminum alloy.
- Light source: COB LED with a lens of optical.
- Embedded parts make it easy to install and remove so as to protect ceiling
- The light can be compatible with the emergency battery.
- UGR<19.
- CRI>80
- IP Rate: IP44



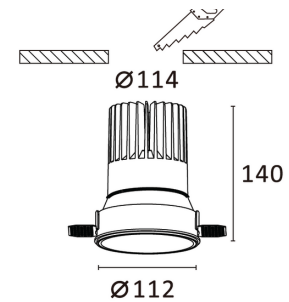
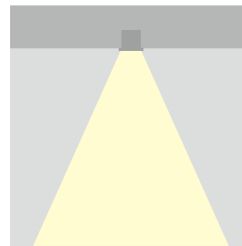
POWER	CCT	LUMEN OUTPUT	BEAM ANGLE	COLOR FINISH	CONTROL GEAR (LED DRIVER)
20W	2700K 3000K 4000K	2271LM	15° 30° 45°	White Silver Black	Non Dimmable 1-10V Dimmable DALI Dimmable Triac Dimmable

# LED DOWNLIGHT

## EAS-DL146-JR6312

### Technical Details

- Housing and Cast aluminum
- Mounting ring: Aluminum alloy.
- Anti-dazzle ring: Aluminum alloy.
- Light source: COB LED with a lens of optical.
- Embedded parts make it easy to install and remove so as to protect ceiling
- The light can be compatible with the emergency battery.
- UGR<19.
- CRI>80
- IP Rate: IP44



COB LED

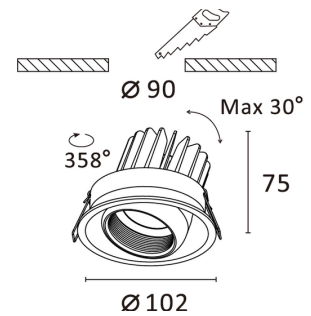
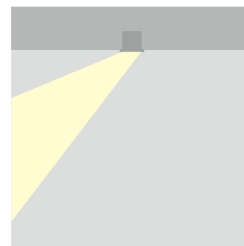
POWER	CCT	LUMEN OUTPUT	BEAM ANGLE	COLOR FINISH	CONTROL GEAR (LED DRIVER)
30W	2700K 3000K 4000K	2943LM	15° 30° 45°	White Silver Black	Non Dimmable 1-10V Dimmable DALI Dimmable Triac Dimmable

# LED DOWNLIGHT

## EAS-DL146-JR6924

### Technical Details

- Housing and mounting ring: Cast aluminum.
- The spot light to a maximum of 0°-30° onto the vertical plane and rotates by 358° onto the horizontal plane.
- Anti-dazzle ring: Aluminum black.
- Light source: COB LED with a lens of optical.
- UGR<15.
- CRI>80
- IP Rate: IP44



COB LED

POWER	CCT	LUMEN OUTPUT	BEAM ANGLE	COLOR FINISH	CONTROL GEAR (LED DRIVER)
6W	2700K 3000K 4000K	470LM	24° 36° 60°	White Silver Black	Non Dimmable 1-10V Dimmable DALI Dimmable Triac Dimmable

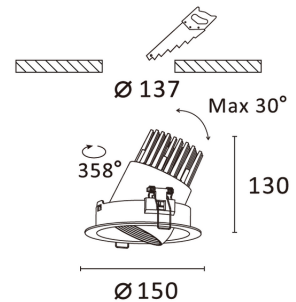
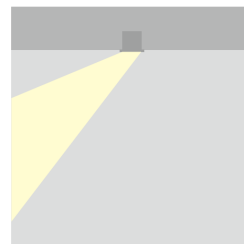


# LED DOWNLIGHT

## EAS-DL146-JR6083

### Technical Details

- Housing and mounting ring: Cast aluminum.
- The spot light to a maximum of 0°-30° onto the vertical plane and rotates by 358° onto the horizontal plane.
- Anti-dazzle ring: Plastic black.
- Light source: COB LED with a high efficiency reflector of optical.
- The light can be compatible with emergency battery.
- UGR<15.
- CRI>80
- IP Rate: IP20



COB LED

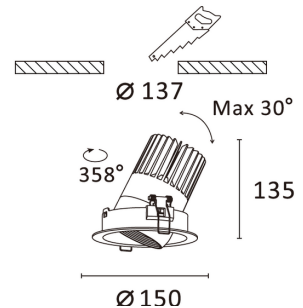
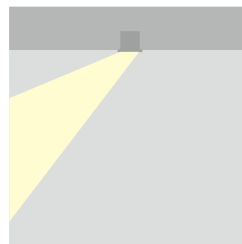
POWER	CCT	LUMEN OUTPUT	BEAM ANGLE	COLOR FINISH	CONTROL GEAR (LED DRIVER)
20W	2700K 3000K 4000K	1994LM	15° 24° 36° 60°	White Silver Black	Non Dimmable 1-10V Dimmable DALI Dimmable Triac Dimmable

# LED DOWNLIGHT

## EAS-DL146-JR6329

### Technical Details

- Housing and mounting ring: Cast aluminum.
- The spot light to a maximum of 0°-30° onto the vertical plane and rotates by 358° onto the horizontal plane.
- Anti-dazzle ring: Plastic black.
- Light source: COB LED with a high efficiency reflector of optical.
- The light can be compatible with emergency battery.
- UGR<15.
- CRI>80
- IP Rate: IP20



COB LED

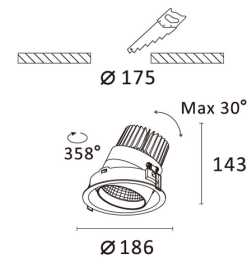
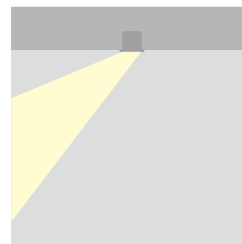
POWER	CCT	LUMEN OUTPUT	BEAM ANGLE	COLOR FINISH	CONTROL GEAR (LED DRIVER)
30W	2700K 3000K 4000K	2981LM	15° 24° 36°	White Silver Black	Non Dimmable 1-10V Dimmable DALI Dimmable Triac Dimmable

# LED DOWNLIGHT

## EAS-DL146-JR6291

### Technical Details

- Housing and mounting ring: Cast aluminum.
- The spot light to a maximum of 0°-30° onto the vertical plane and rotates by 358° onto the horizontal plane.
- Anti-dazzle ring: Plastic black.
- Light source: COB LED with a high efficiency reflector of optical.
- The light can be compatible with emergency battery.
- UGR<15.
- CRI>80
- IP Rate: IP20



COB LED

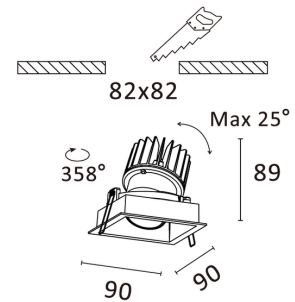
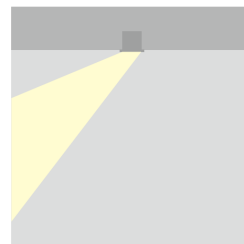
POWER	CCT	LUMEN OUTPUT	BEAM ANGLE	COLOR FINISH	CONTROL GEAR (LED DRIVER)
30W	2700K 3000K 4000K	3114LM	15° 24° 36° 60°	White Silver Black	Non Dimmable 1-10V Dimmable DALI Dimmable Triac Dimmable

# LED DOWNLIGHT

## EAS-DL146-JR6336

### Technical Details

- Housing and mounting ring: Cast aluminum.
- The spot light to a maximum of 25° onto the vertical plane and rotates by 358° onto the horizontal plane.
- Anti-dazzle ring: Plastic black.
- Light source: COB LED with a high efficiency reflector of optical.
- The light can be compatible with emergency battery.
- UGR<15.
- CRI>80
- IP Rate: IP20



COB LED

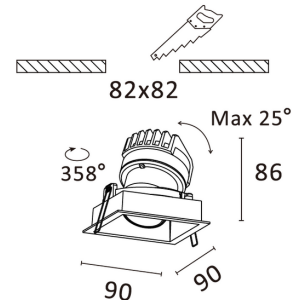
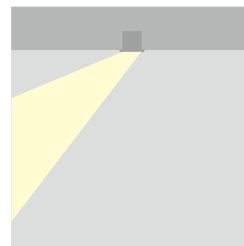
POWER	CCT	LUMEN OUTPUT	BEAM ANGLE	COLOR FINISH	CONTROL GEAR (LED DRIVER)
6W	2700K 3000K 4000K	3114LM	15° 24° 36°	White Silver Black	Non Dimmable 1-10V Dimmable DALI Dimmable Triac Dimmable

# LED DOWNLIGHT

## EAS-DL146-JR6337

### Technical Details

- Housing and mounting ring: Cast aluminum.
- The spot light to a maximum of 25° onto the vertical plane and rotates by 358° onto the horizontal plane.
- Anti-dazzle ring: Plastic black.
- Light source: COB LED with a high efficiency reflector of optical.
- The light can be compatible with emergency battery.
- UGR<15.
- CRI>80
- IP Rate: IP20



COB LED

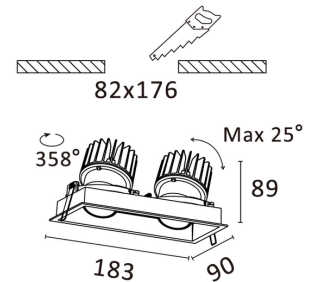
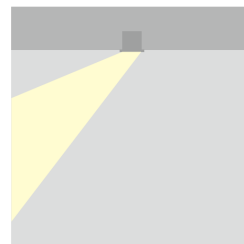
POWER	CCT	LUMEN OUTPUT	BEAM ANGLE	COLOR FINISH	CONTROL GEAR (LED DRIVER)
15W	2700K 3000K 4000K	8331LM	15° 24° 36°	White Silver Black	Non Dimmable 1-10V Dimmable DALI Dimmable Triac Dimmable

# LED DOWNLIGHT

## EAS-DL146-JR6344

### Technical Details

- Housing and mounting ring: Cast aluminum.
- The spot light to a maximum of 25° onto the vertical plane and rotates by 358° onto the horizontal plane.
- Anti-dazzle ring: Plastic black.
- Light source: COB LED with a high efficiency reflector of optical.
- The light can be compatible with emergency battery.
- UGR<15.
- CRI>80
- IP Rate: IP20



COB LED

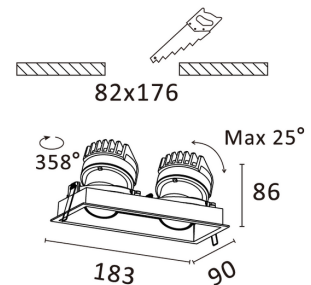
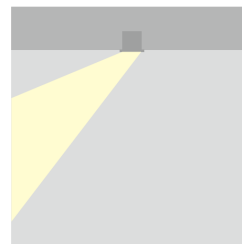
POWER	CCT	LUMEN OUTPUT	BEAM ANGLE	COLOR FINISH	CONTROL GEAR (LED DRIVER)
2x6W	2700K 3000K 4000K	7571LM	15° 24° 36°	White Silver Black	Non Dimmable 1-10V Dimmable DALI Dimmable Triac Dimmable

# LED DOWNLIGHT

## EAS-DL146-JR6345

### Technical Details

- Housing and mounting ring: Cast aluminum.
- The spot light to a maximum of 25° onto the vertical plane and rotates by 358° onto the horizontal plane.
- Anti-dazzle ring: Plastic black.
- Light source: COB LED with a high efficiency reflector of optical.
- The light can be compatible with emergency battery.
- UGR<15.
- CRI>80
- IP Rate: IP20



COB LED

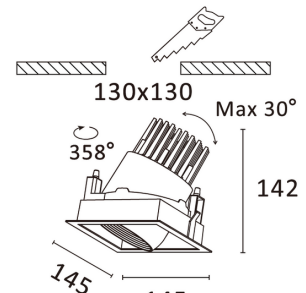
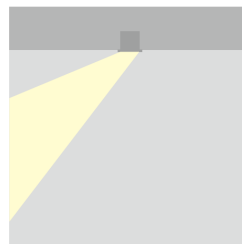
POWER	CCT	LUMEN OUTPUT	BEAM ANGLE	COLOR FINISH	CONTROL GEAR (LED DRIVER)
2x15W	2700K 3000K 4000K	1615LM	15° 24° 36°	White Silver Black	Non Dimmable 1-10V Dimmable DALI Dimmable Triac Dimmable

# LED DOWNLIGHT

## EAS-DL146-JR6087

### Technical Details

- Housing and mounting ring: Cast aluminum.
- The spot light to a maximum of 0°-30° onto the vertical plane and rotates by 358° onto the horizontal plane.
- Anti-dazzle ring: Plastic black.
- Light source: COB LED with a high efficiency reflector of optical.
- The light can be compatible with emergency battery.
- UGR<15.
- CRI>80
- IP Rate: IP20



COB LED

POWER	CCT	LUMEN OUTPUT	BEAM ANGLE	COLOR FINISH	CONTROL GEAR (LED DRIVER)
20W	2700K 3000K 4000K	1739LM	15° 24° 36° 60°	White Silver Black	Non Dimmable 1-10V Dimmable DALI Dimmable Triac Dimmable

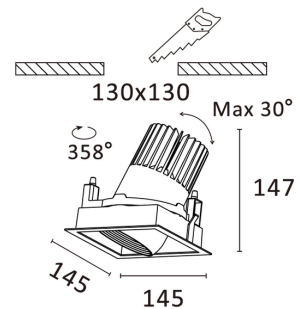
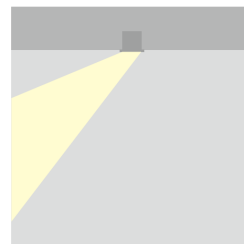


# LED DOWNLIGHT

## EAS-DL146-JR6331

### Technical Details

- Housing and mounting ring: Cast aluminum.
- The spot light to a maximum of 0°-30° onto the vertical plane and rotates by 358° onto the horizontal plane.
- Anti-dazzle ring: Plastic black.
- Light source: COB LED with a high efficiency reflector of optical.
- The light can be compatible with emergency battery.
- UGR<15.
- CRI>80
- IP Rate: IP20



COB LED

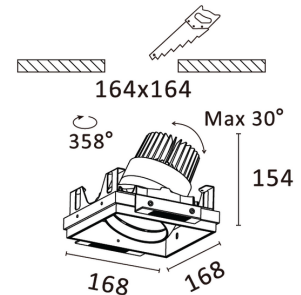
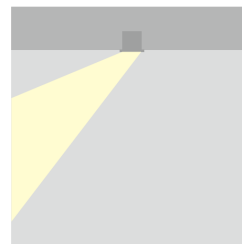
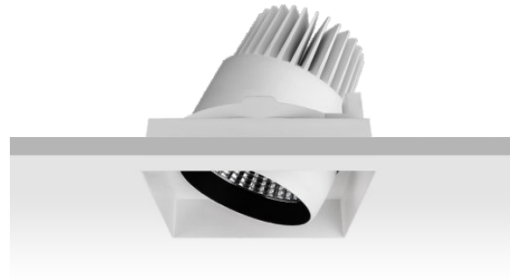
POWER	CCT	LUMEN OUTPUT	BEAM ANGLE	COLOR FINISH	CONTROL GEAR (LED DRIVER)
30W	2700K 3000K 4000K	2981LM	15° 24° 36°	White Silver Black	Non Dimmable 1-10V Dimmable DALI Dimmable Triac Dimmable

# LED DOWNLIGHT

## EAS-DL146-JR6231

### Technical Details

- This fixture one mounting frame which is made of steel sheet.
- Mounting frame kit: Cast aluminum, for flush-mounting installation in plasterboard ceilings.
- The spot light to a maximum of 0°-30° onto the vertical plane and rotates by 358° onto the horizontal plane.
- Anti-dazzle ring: Plastic black.
- Light source: COB LED with a high efficiency reflector of optical.
- The light can be compatible with emergency battery.
- UGR<15.
- CRI>80
- IP Rate: IP20



COB LED

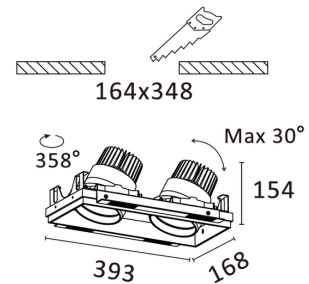
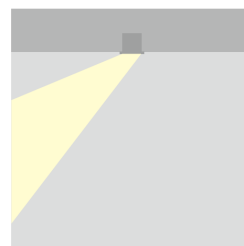
POWER	CCT	LUMEN OUTPUT	BEAM ANGLE	COLOR FINISH	CONTROL GEAR (LED DRIVER)
30W	2700K 3000K 4000K	3114LM	15° 24° 36° 60°	White Silver Black	Non Dimmable 1-10V Dimmable DALI Dimmable Triac Dimmable

# LED DOWNLIGHT

## EAS-DL146-JR6232

### Technical Details

- This fixture one mounting frame which is made of steel sheet.
- Mounting frame kit: Cast aluminum, for flush-mounting installation in plasterboard ceilings.
- The spot light to a maximum of 0°-30° onto the vertical plane and rotates by 358° onto the horizontal plane.
- Anti-dazzle ring: Plastic black.
- Light source: COB LED with a high efficiency reflector of optical.
- The light can be compatible with emergency battery.
- UGR<15.
- CRI>80
- IP Rate: IP20



COB LED

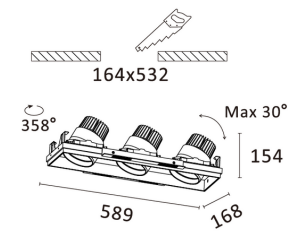
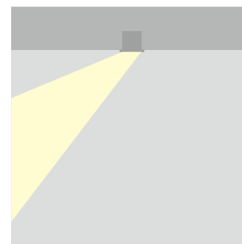
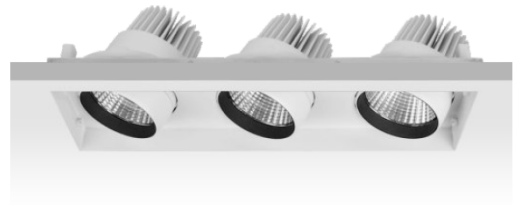
POWER	CCT	LUMEN OUTPUT	BEAM ANGLE	COLOR FINISH	CONTROL GEAR (LED DRIVER)
2x30W	2700K 3000K 4000K	6228LM	15° 24° 36° 60°	White Silver Black	Non Dimmable 1-10V Dimmable DALI Dimmable Triac Dimmable

# LED DOWNLIGHT

## EAS-DL146-JR6233

### Technical Details

- This fixture one mounting frame which is made of steel sheet.
- Mounting frame kit: Cast aluminum, for flush-mounting installation in plasterboard ceilings.
- The spot light to a maximum of 0°-30° onto the vertical plane and rotates by 358° onto the horizontal plane.
- Anti-dazzle ring: Plastic black.
- Light source: COB LED with a high efficiency reflector of optical.
- The light can be compatible with emergency battery.
- UGR<15.
- CRI>80
- IP Rate: IP20



COB LED

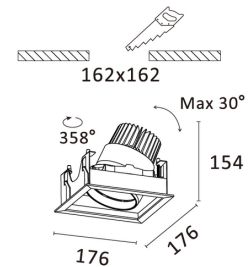
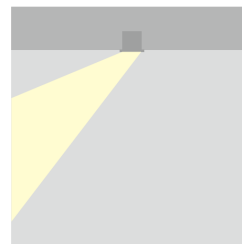
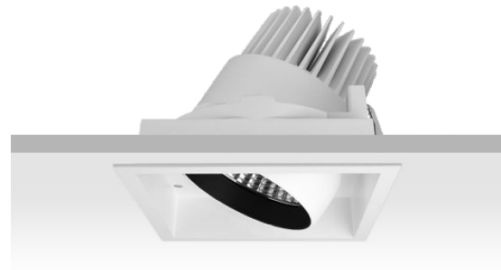
POWER	CCT	LUMEN OUTPUT	BEAM ANGLE	COLOR FINISH	CONTROL GEAR (LED DRIVER)
3x30W	2700K 3000K 4000K	93418LM	15° 24° 36° 60°	White Silver Black	Non Dimmable 1-10V Dimmable DALI Dimmable Triac Dimmable

# LED DOWNLIGHT

## EAS-DL146-JR6235

### Technical Details

- This fixture one mounting frame aluminum
- The spot light to a maximum of 0°-30° onto the vertical plane and rotates by 358° onto the horizontal plane.
- Anti-dazzle ring: Plastic black.
- Light source: COB LED with a high efficiency reflector of optical.
- The light can be compatible with emergency battery.
- UGR<15.
- CRI>80
- IP Rate: IP20



COB LED

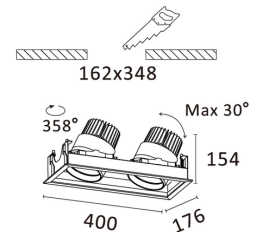
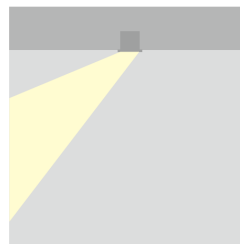
POWER	CCT	LUMEN OUTPUT	BEAM ANGLE	COLOR FINISH	CONTROL GEAR (LED DRIVER)
30W	2700K 3000K 4000K	3114LM	15° 24° 36° 60°	White Silver Black	Non Dimmable 1-10V Dimmable DALI Dimmable Triac Dimmable

# LED DOWNLIGHT

## EAS-DL146-JR6236

### Technical Details

- This fixture one mounting frame aluminum
- The spot light to a maximum of 0°-30° onto the vertical plane and rotates by 358° onto the horizontal plane.
- Anti-dazzle ring: Plastic black.
- Light source: COB LED with a high efficiency reflector of optical.
- The light can be compatible with emergency battery.
- UGR<15.
- CRI>80
- IP Rate: IP20



COB LED

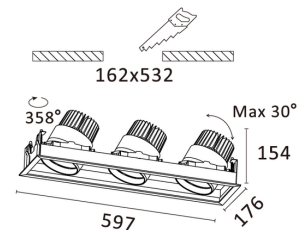
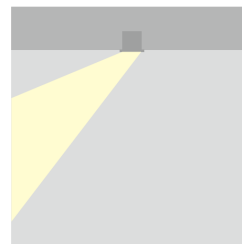
POWER	CCT	LUMEN OUTPUT	BEAM ANGLE	COLOR FINISH	CONTROL GEAR (LED DRIVER)
2x30W	2700K 3000K 4000K	6228LM	15° 24° 36° 60°	White Silver Black	Non Dimmable 1-10V Dimmable DALI Dimmable Triac Dimmable

# LED DOWNLIGHT

## EAS-DL146-JR6237

### Technical Details

- This fixture one mounting frame aluminum
- The spot light to a maximum of 0°-30° onto the vertical plane and rotates by 358° onto the horizontal plane.
- Anti-dazzle ring: Plastic black.
- Light source: COB LED with a high efficiency reflector of optical.
- The light can be compatible with emergency battery.
- UGR<15.
- CRI>80
- IP Rate: IP20



COB LED

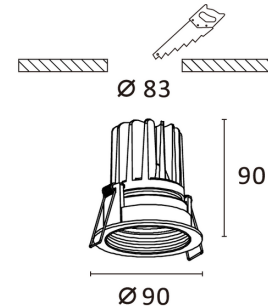
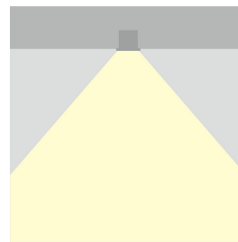
POWER	CCT	LUMEN OUTPUT	BEAM ANGLE	COLOR FINISH	CONTROL GEAR (LED DRIVER)
3x30W	2700K 3000K 4000K	9342LM	15° 24° 36° 60°	White Silver Black	Non Dimmable 1-10V Dimmable DALI Dimmable Triac Dimmable

# LED DOWNLIGHT

## EAS-DL146-JR6216

### Technical Details

- Housing and Mounting ring: Cast aluminum.
- Anti-dazzle ring: Aluminum black.
- Light source: COB LED with a high efficiency reflector of optical.
- The light can be compatible with emergency battery.
- UGR<19.
- CRI>80
- IP Rate: IP44



COB LED

POWER	CCT	LUMEN OUTPUT	BEAM ANGLE	COLOR FINISH	CONTROL GEAR (LED DRIVER)
6W	2700K	530LM	45°	White Silver Black	Non Dimmable 1-10V Dimmable DALI Dimmable Triac Dimmable
10W	3000K	920LM			
15W	4000K	1180LM			

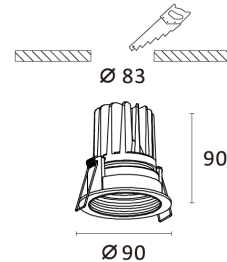
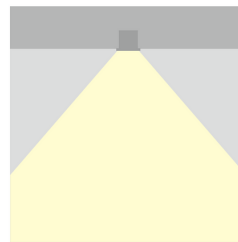


# LED DOWNLIGHT

## EAS-DL146-JR6217

### Technical Details

- Housing and Mounting ring: Cast aluminum.
- Anti-dazzle ring: Aluminum black.
- Light source: COB LED with a high efficiency reflector of optical.
- The light can be compatible with emergency battery.
- UGR<19.
- CRI>80
- IP Rate: IP44



COB LED

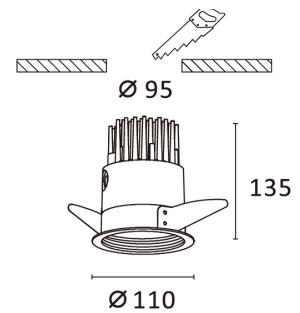
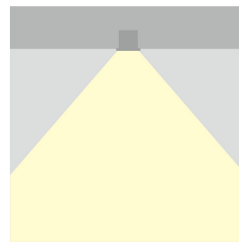
POWER	CCT	LUMEN OUTPUT	BEAM ANGLE	COLOR FINISH	CONTROL GEAR (LED DRIVER)
6W 10W 15W	2700K 3000K 4000K	350LM 610LM 790LM	75°	White Silver Black	Non Dimmable 1-10V Dimmable DALI Dimmable Triac Dimmable

# LED DOWNLIGHT

## EAS-DL146-JR6229

### Technical Details

- Housing and Mounting ring: Cast aluminum.
- Anti-dazzle ring: Aluminum black.
- Light source: COB LED with a high efficiency reflector of optical.
- The light can be compatible with emergency battery.
- UGR<19.
- CRI>80
- IP Rate: IP44



COB LED

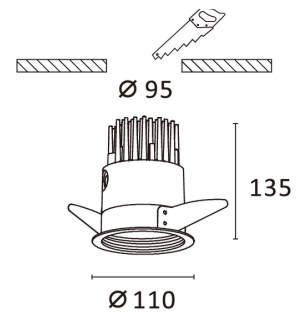
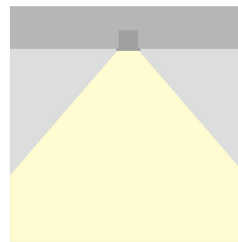
POWER	CCT	LUMEN OUTPUT	BEAM ANGLE	COLOR FINISH	CONTROL GEAR (LED DRIVER)
20W	2700K 3000K 4000K	1920LM	15° 24° 36° 60°	White Silver Black	Non Dimmable 1-10V Dimmable DALI Dimmable Triac Dimmable

# LED DOWNLIGHT

## EAS-DL146-JR6230

### Technical Details

- Housing and Mounting ring: Cast aluminum.
- Anti-dazzle ring: Aluminum black.
- Light source: COB LED with a high efficiency reflector of optical and diffuse sheet.
- The light can be compatible with emergency battery.
- UGR<19.
- CRI>80
- IP Rate: IP44



COB LED

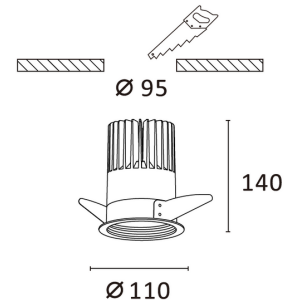
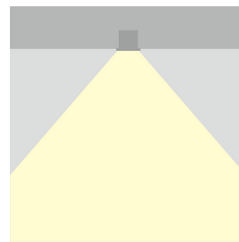
POWER	CCT	LUMEN OUTPUT	BEAM ANGLE	COLOR FINISH	CONTROL GEAR (LED DRIVER)
20W	2700K 3000K 4000K	1330LM	60°	White Silver Black	Non Dimmable 1-10V Dimmable DALI Dimmable Triac Dimmable

# LED DOWNLIGHT

## EAS-DL146-JR6305

### Technical Details

- Housing and Mounting ring: Cast aluminum.
- Anti-dazzle ring: Aluminum black.
- Light source: COB LED with a high efficiency reflector of optical.
- The light can be compatible with emergency battery.
- UGR<19.
- CRI>80
- IP Rate: IP44



COB LED

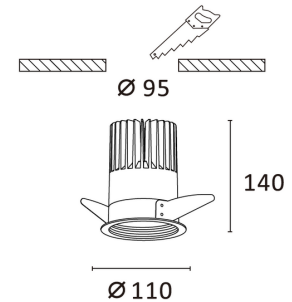
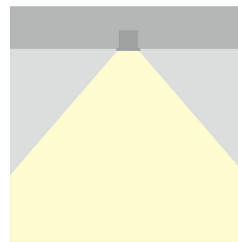
POWER	CCT	LUMEN OUTPUT	BEAM ANGLE	COLOR FINISH	CONTROL GEAR (LED DRIVER)
30W	2700K 3000K 4000K	2980LM	15° 24° 36°	White Silver Black	Non Dimmable 1-10V Dimmable DALI Dimmable Triac Dimmable

# LED DOWNLIGHT

## EAS-DL146-JR6306

### Technical Details

- Housing and Mounting ring: Cast aluminum.
- Anti-dazzle ring: Aluminum black.
- Light source: COB LED with a high efficiency reflector of optical diffuse sheet.
- The light can be compatible with emergency battery.
- UGR<19.
- CRI>80
- IP Rate: IP44



COB LED

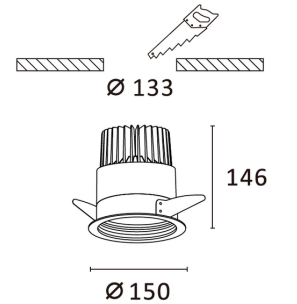
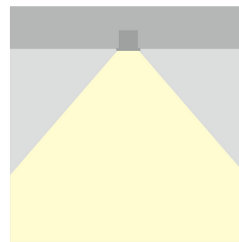
POWER	CCT	LUMEN OUTPUT	BEAM ANGLE	COLOR FINISH	CONTROL GEAR (LED DRIVER)
30W	2700K 3000K 4000K	1866LM	60°	White Silver Black	Non Dimmable 1-10V Dimmable DALI Dimmable Triac Dimmable

# LED DOWNLIGHT

## EAS-DL146-JR6286

### Technical Details

- Housing and Mounting ring: Cast aluminum.
- Anti-dazzle ring: Aluminum black.
- Light source: COB LED with a high efficiency reflector of optical.
- The light can be compatible with emergency battery.
- UGR<19.
- CRI>80
- IP Rate: IP44



COB LED

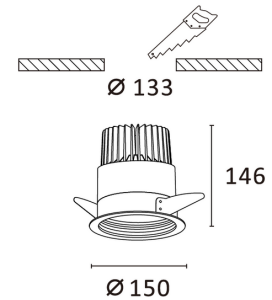
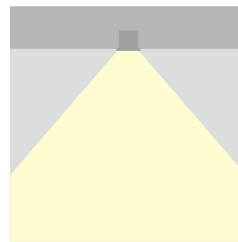
POWER	CCT	LUMEN OUTPUT	BEAM ANGLE	COLOR FINISH	CONTROL GEAR (LED DRIVER)
30W	2700K 3000K 4000K	3000LM	15° 24° 36° 60°	White Silver Black	Non Dimmable 1-10V Dimmable DALI Dimmable Triac Dimmable

# LED DOWNLIGHT

## EAS-DL146-JR6287

### Technical Details

- Housing and Mounting ring: Cast aluminum.
- Anti-dazzle ring: Aluminum black.
- Light source: COB LED with a high efficiency reflector of optical diffuse sheet.
- The light can be compatible with emergency battery.
- UGR<19.
- CRI>80
- IP Rate: IP44



COB LED

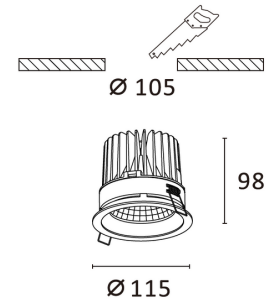
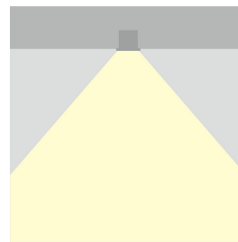
POWER	CCT	LUMEN OUTPUT	BEAM ANGLE	COLOR FINISH	CONTROL GEAR (LED DRIVER)
30W	2700K 3000K 4000K	2580LM	70°	White Silver Black	Non Dimmable 1-10V Dimmable DALI Dimmable Triac Dimmable

# LED DOWNLIGHT

## EAS-DL146-JR6196

### Technical Details

- Housing and Mounting ring: Cast aluminum.
- Light source: COB LED with a high efficiency reflector of optical and clear glass.
- The light can be compatible with emergency battery.
- CRI>80
- IP Rate: IP44



COB LED

POWER	CCT	LUMEN OUTPUT	BEAM ANGLE	COLOR FINISH	CONTROL GEAR (LED DRIVER)
15W	2700K	1399LM	50°	White Silver Black	Non Dimmable 1-10V Dimmable DALI Dimmable Triac Dimmable
20W	3000K	1968LM			
25W	4000K	2234LM			

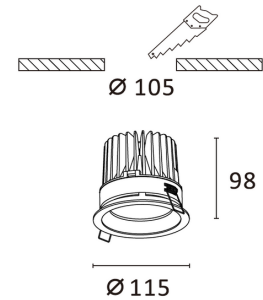
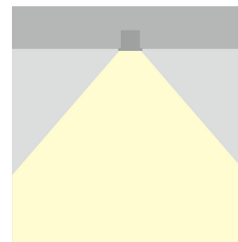


# LED DOWNLIGHT

## EAS-DL146-JR6195

### Technical Details

- Housing and Mounting ring: Cast aluminum.
- Light source: COB LED with a high efficiency reflector of optical and acrylic diffuser.
- The light can be compatible with emergency battery.
- CRI>80
- IP Rate: IP44



COB LED

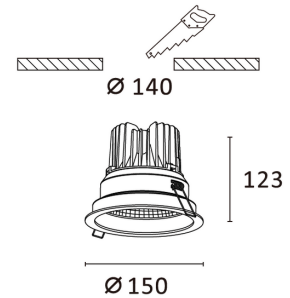
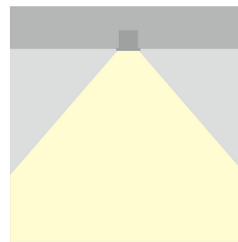
POWER	CCT	LUMEN OUTPUT	BEAM ANGLE	COLOR FINISH	CONTROL GEAR (LED DRIVER)
15W 20W 25W	2700K 3000K 4000K	1012LM 1418LM 1600LM	75°	White Silver Black	Non Dimmable 1-10V Dimmable DALI Dimmable Triac Dimmable

# LED DOWNLIGHT

## EAS-DL146-JR6202

### Technical Details

- Housing and Mounting ring: Cast aluminum.
- Light source: COB LED with a high efficiency reflector of optical and clear glass.
- The light can be compatible with emergency battery.
- CRI>80
- IP Rate: IP44



COB LED

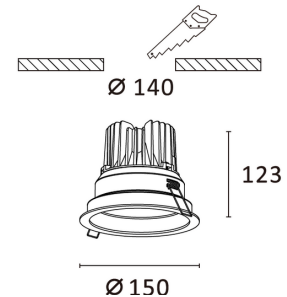
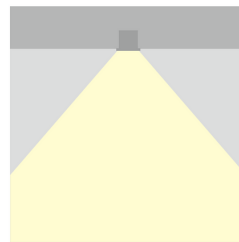
POWER	CCT	LUMEN OUTPUT	BEAM ANGLE	COLOR FINISH	CONTROL GEAR (LED DRIVER)
20W 25W	2700K 3000K 4000K	2010LM 2326LM	60°	White Silver Black	Non Dimmable 1-10V Dimmable DALI Dimmable Triac Dimmable

# LED DOWNLIGHT

## EAS-DL146-JR6201

### Technical Details

- Housing and Mounting ring: Cast aluminum.
- Light source: COB LED with a high efficiency reflector of optical and acrylic diffuser.
- The light can be compatible with emergency battery.
- CRI>80
- IP Rate: IP44



COB LED

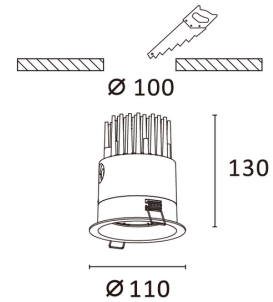
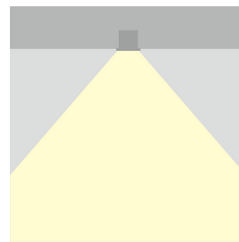
POWER	CCT	LUMEN OUTPUT	BEAM ANGLE	COLOR FINISH	CONTROL GEAR (LED DRIVER)
20W 25W	2700K 3000K 4000K	1960LM 1956LM	75°	White Silver Black	Non Dimmable 1-10V Dimmable DALI Dimmable Triac Dimmable

# LED DOWNLIGHT

## EAS-DL146-JR6285

### Technical Details

- Housing and Mounting ring: Cast aluminum.
- Light source: COB LED with a high efficiency reflector of optical and clear glass.
- The light can be compatible with emergency battery.
- CRI>80
- IP Rate: IP44



COB LED

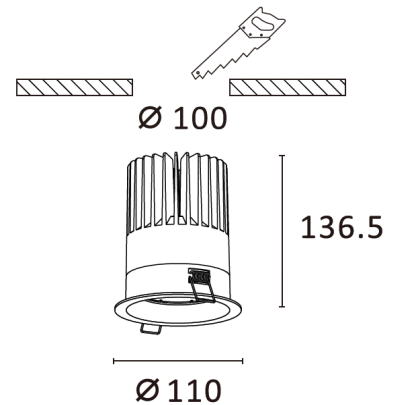
POWER	CCT	LUMEN OUTPUT	BEAM ANGLE	COLOR FINISH	CONTROL GEAR (LED DRIVER)
20W	2700K 3000K 4000K	2000LM	24° 36° 60°	White Silver Black	Non Dimmable 1-10V Dimmable DALI Dimmable Triac Dimmable

# LED DOWNLIGHT

## EAS-DL146-JR6303

### Technical Details

- Housing and Mounting ring: Cast aluminum.
- Light source: COB LED with a high efficiency reflector of optical and clear glass.
- The light can be compatible with emergency battery.
- CRI>80
- IP Rate: IP44



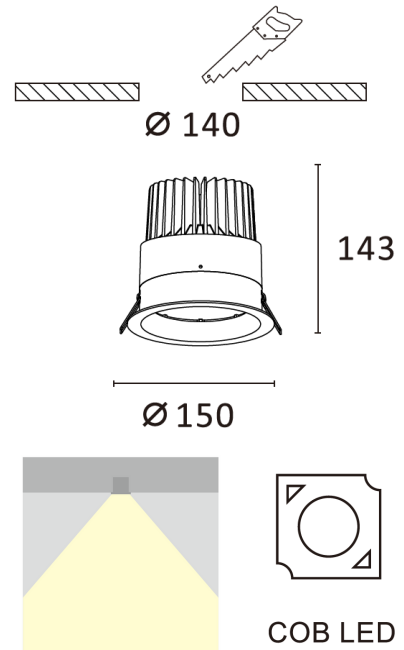
POWER	CCT	LUMEN OUTPUT	BEAM ANGLE	COLOR FINISH	CONTROL GEAR (LED DRIVER)
30W	2700K 3000K 4000K	3260LM	15° 24° 36°	White Silver Black	Non Dimmable 1-10V Dimmable DALI Dimmable Triac Dimmable

# LED DOWNLIGHT

## EAS-DL146-JR6270

### Technical Details

- Housing and Mounting ring: Cast aluminum.
- Light source: COB LED with a high efficiency reflector of optical and clear glass.
- The light can be compatible with emergency battery.
- CRI>80
- IP Rate: IP44



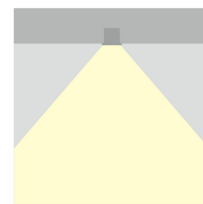
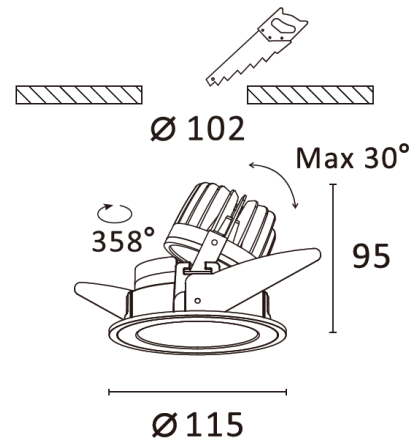
POWER	CCT	LUMEN OUTPUT	BEAM ANGLE	COLOR FINISH	CONTROL GEAR (LED DRIVER)
30W	2700K 3000K 4000K	3480LM	15° 24° 36° 60°	White Silver Black	Non Dimmable 1-10V Dimmable DALI Dimmable Triac Dimmable

# LED DOWNLIGHT

## EAS-DL146-JR6173

### Technical Details

- Housing and Mounting ring: Cast aluminum.
- The spot light tilts to maximum of 0°-30° onto the vertical plane and rotates by 358° onto the horizontal plane.
- Light source: COB LED with a high efficiency reflector of optical and clear glass.
- The light can be compatible with emergency battery.
- CRI>80
- IP Rate: IP44



COB LED

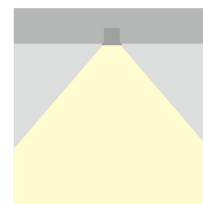
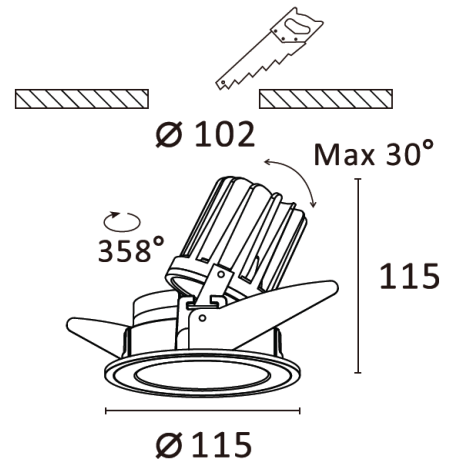
POWER	CCT	LUMEN OUTPUT	BEAM ANGLE	COLOR FINISH	CONTROL GEAR (LED DRIVER)
6W 10W	2700K 3000K 4000K	580LM 980LM	24° 36°	White Silver Black	Non Dimmable 1-10V Dimmable DALI Dimmable Triac Dimmable

# LED DOWNLIGHT

## EAS-DL146-JR6197

### Technical Details

- Housing and Mounting ring: Cast aluminum.
- The spot light tilts to maximum of 0°-30° onto the vertical plane and rotates by 358° onto the horizontal plane.
- Light source: COB LED with a lens of optical.
- Reflector: Aluminum bright anodised.
- The light can be compatible with emergency battery.
- CRI>80
- IP Rate: IP44



COB LED

POWER	CCT	LUMEN OUTPUT	BEAM ANGLE	COLOR FINISH	CONTROL GEAR (LED DRIVER)
15W	2700K 3000K 4000K	1121LM	24° 36°	White Silver Black	Non Dimmable 1-10V Dimmable DALI Dimmable Triac Dimmable

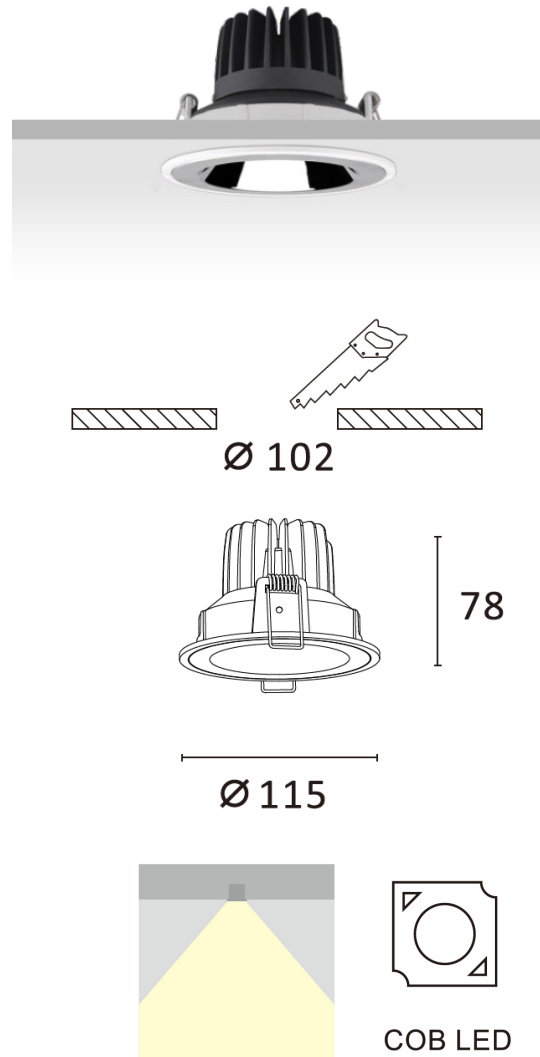


# LED DOWNLIGHT

## EAS-DL146-JR6136

### Technical Details

- Housing and Mounting ring: Cast aluminum.
- Light source: COB LED with a lens of optical.
- Reflector: Dark chrome, Mirror finish, champagne-gold to meet different requirements..
- Secondary optics bring the perfect without more side spot.
- UGR<19.
- The light can be compatible with emergency battery.
- CRI>80
- IP Rate: IP44



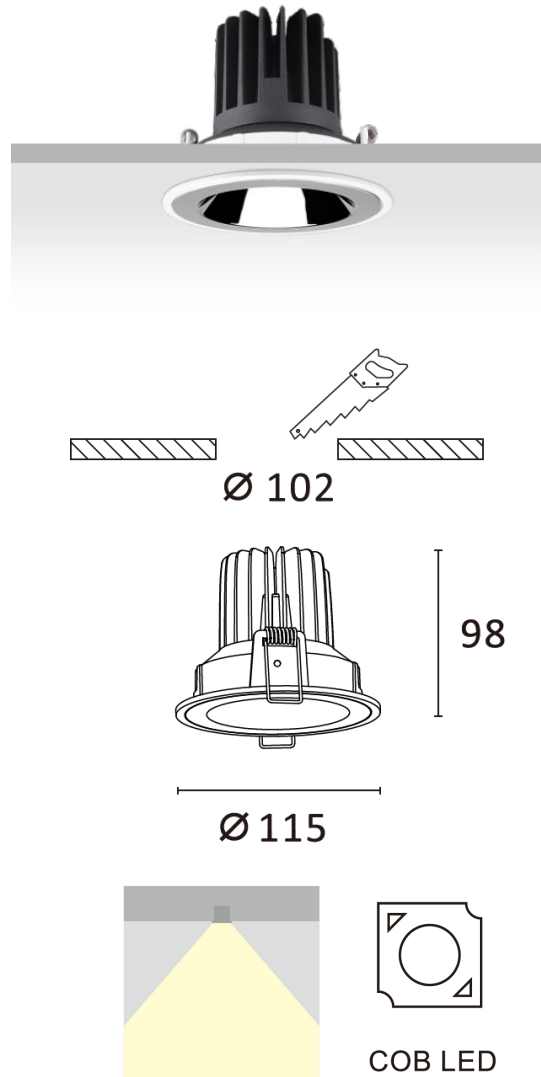
POWER	CCT	LUMEN OUTPUT	BEAM ANGLE	COLOR FINISH	CONTROL GEAR (LED DRIVER)
6W 10W	2700K 3000K 4000K	570LM 710LM	24° 36°	White Silver Black	Non Dimmable 1-10V Dimmable DALI Dimmable Triac Dimmable

# LED DOWNLIGHT

## EAS-DL146-JR6188

### Technical Details

- Housing and Mounting ring: Cast aluminum.
- Light source: COB LED with a lens of optical.
- Reflector: Dark chrome, Mirror finish, champagne-gold to meet different requirements..
- Secondary optics bring the perfect without more side spot.
- UGR<19.
- The light can be compatible with emergency battery.
- CRI>80
- IP Rate: IP44



POWER	CCT	LUMEN OUTPUT	BEAM ANGLE	COLOR FINISH	CONTROL GEAR (LED DRIVER)
15W	2700K 3000K 4000K	930LM	24° 36° 45°	White Silver Black	Non Dimmable 1-10V Dimmable DALI Dimmable Triac Dimmable

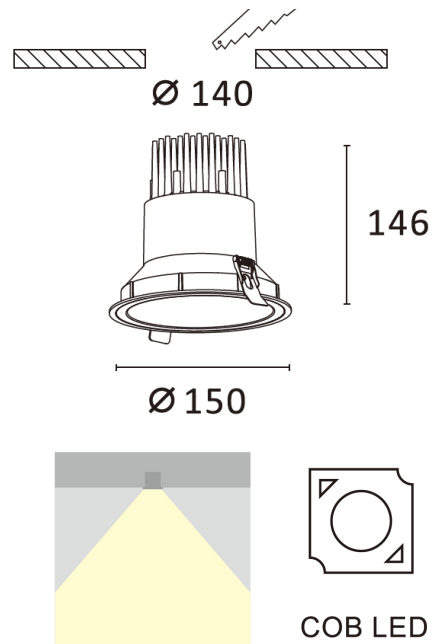
# LED DOWNLIGHT

## EAS-DL146-JR6298

---

### Technical Details

- Housing and Mounting ring: Cast aluminum.
- Light source: COB LED with a lens of optical.
- Reflector: Dark chrome, Mirror finish, champagne-gold to meet different requirements.
- Secondary optics bring the perfect without more side spot.
- UGR<19.
- The light can be compatible with emergency battery.
- CRI>80
- IP Rate: IP44



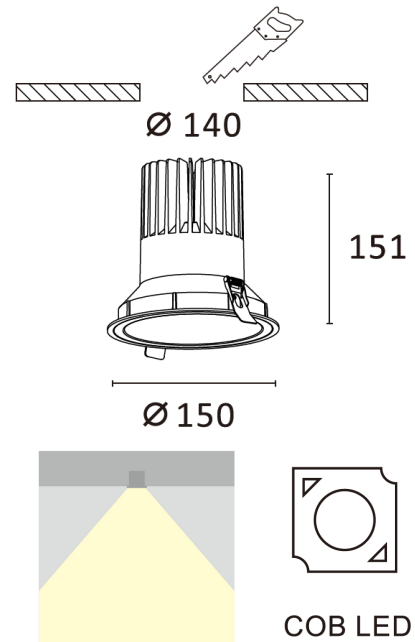
POWER	CCT	LUMEN OUTPUT	BEAM ANGLE	COLOR FINISH	CONTROL GEAR (LED DRIVER)
20W	2700K 3000K 4000K	2150LM	15° 30° 50°	White Silver Black	Non Dimmable 1-10V Dimmable DALI Dimmable Triac Dimmable

# LED DOWNLIGHT

## EAS-DL146-JR6322

### Technical Details

- Housing and Mounting ring: Cast aluminum.
- Light source: COB LED with a lens of optical.
- Reflector: Dark chrome, Mirror finish, champagne-gold to meet different requirements.
- Secondary optics bring the perfect without more side spot.
- UGR<19.
- The light can be compatible with emergency battery.
- CRI>80
- IP Rate: IP44



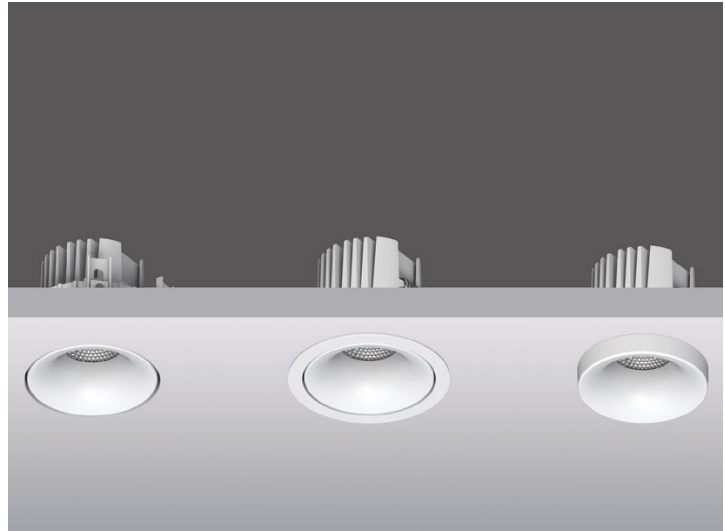
POWER	CCT	LUMEN OUTPUT	BEAM ANGLE	COLOR FINISH	CONTROL GEAR (LED DRIVER)
30W	2700K 3000K 4000K	2894LM	15° 30° 50°	White Silver Black	Non Dimmable 1-10V Dimmable DALI Dimmable Triac Dimmable

# LED DOWNLIGHT

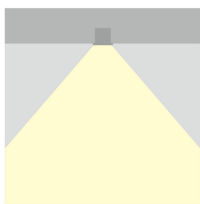
## EAS-DL146-W1591/1731/1591

### Technical Details

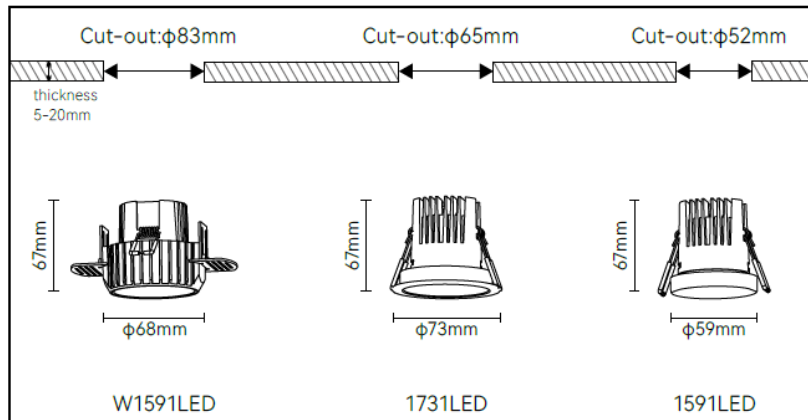
- Small size design, suitable for low ceiling space, a variety of different trims and reflectors collocation make the space more harmonious.
- Material: Aluminum
- Color Reflector: Black, Gold, White
- Lifespan 50,000 Hours
- CRI $\geq$ 90
- SDCM 3
- IP54



EAS-DL146-W1591    EAS-DL146-1731    EAS-DL146-1591



COB LED



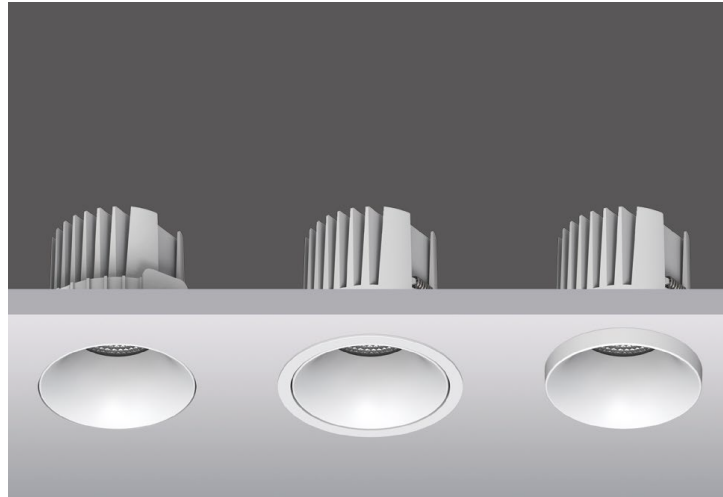
POWER	CCT	LUMEN OUTPUT	BEAM ANGLE	COLOR FINISH	CONTROL GEAR (LED DRIVER)
7W	2700K 3000K 4000K 5000K	412~446LM	18° 36°	White	Non Dimmable 1-10V Dimmable DALI Dimmable

# LED DOWNLIGHT

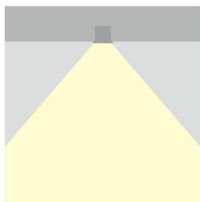
## EAS-DL146-W1821/1971/1821

### Technical Details

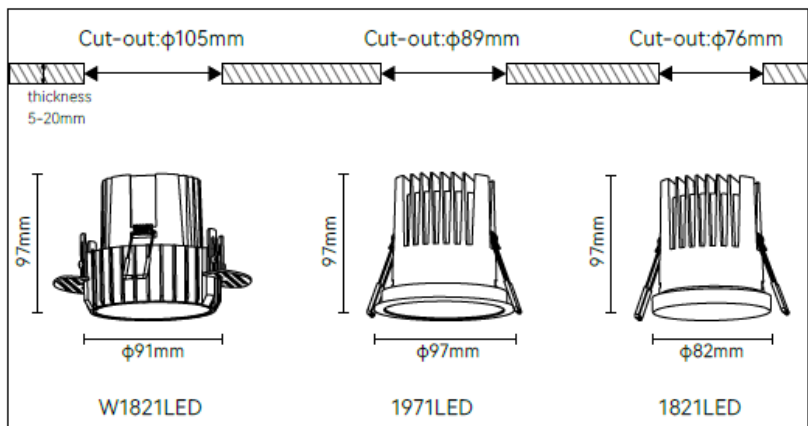
- A variety of different trims and reflectors collocation make the space more harmonious. At the same time, it can provide you with higher brightness, meet higher and larger space lighting requirements, and provide more luminous flux.
- Material: Aluminum
- Color Reflector: Black, Gold, White
- Lifespan 50,000 Hours
- CRI $\geq$ 90
- SDCM 3
- IP54



EAS-DL146-W1821    EAS-DL146-1971    EAS-DL146-1821



COB LED



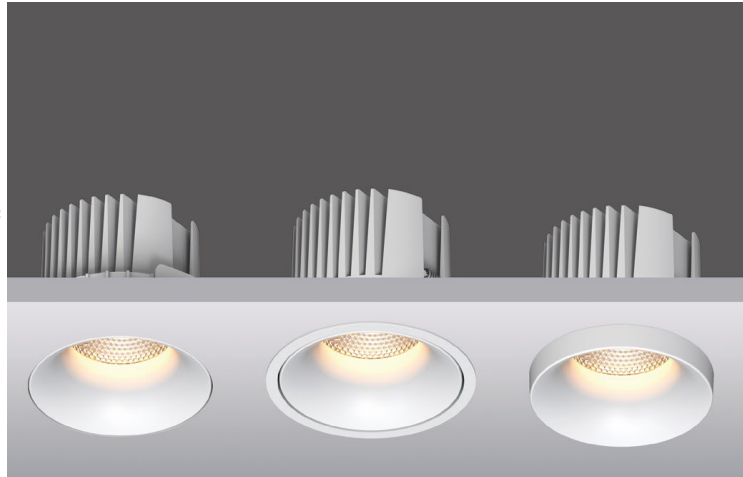
POWER	CCT	LUMEN OUTPUT	BEAM ANGLE	COLOR FINISH	CONTROL GEAR (LED DRIVER)
15W	2700K 3000K 4000K 5000K	852~879LM	20° 35° 50°	White	Non Dimmable 1-10V Dimmable DALI Dimmable

# LED DOWNLIGHT

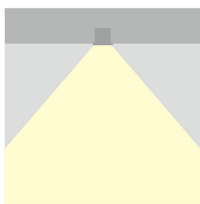
## EAS-DL146-W11009/11151/11009

### Technical Details

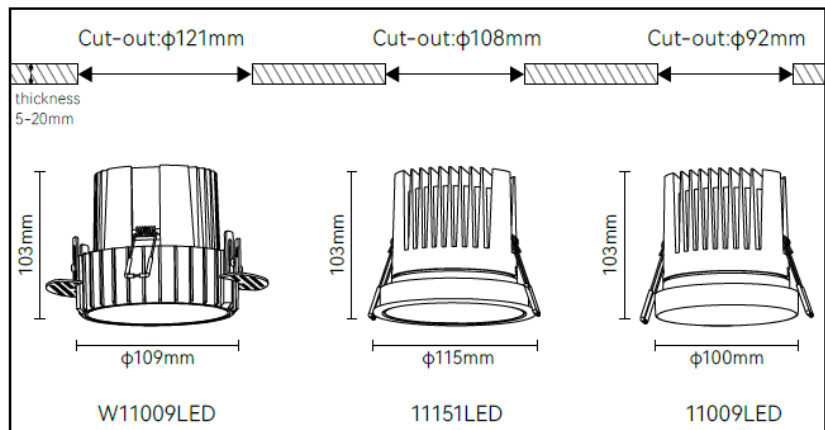
- Bigger size and larger volume provide maximum luminous flux to meet higher and larger space lighting requirements. A variety of different trims and reflectors make the space more harmonious.
- Material: Aluminum
- Color Reflector: Black, Gold, White
- Lifespan 50,000 Hours
- CRI≥90
- SDCM 3
- IP54



EAS-DL146-W11009 EAS-DL146-11151 EAS-DL146-11009



COB LED



POWER	CCT	LUMEN OUTPUT	BEAM ANGLE	COLOR FINISH	CONTROL GEAR (LED DRIVER)
20W	2700K 3000K 4000K 5000K	1415~1459LM	15° 25°	White	Non Dimmable 1-10V Dimmable DALI Dimmable

# LED DOWNLIGHT

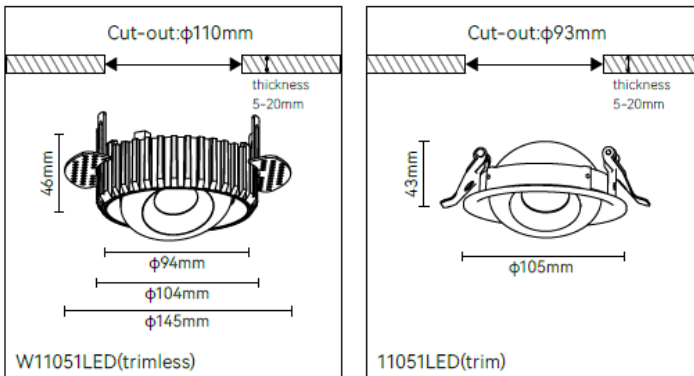
## EAS-DL146-W11051/11051

### Technical Details

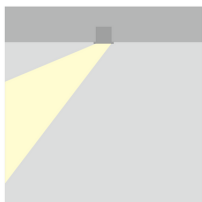
- The unique shape gives the designer inspiration to create. No matter on the top or the facade, you can freely play the design imagination to create a unique arrangement shape.
- Material: Aluminum
- Color Reflector: Black, Gold, White
- Lifespan 50,000 Hours
- CRI $\geq$ 90
- SDCM 3
- IP54



EAS-DL146-W11051



EAS-DL146-11051



COB LED

POWER	CCT	LUMEN OUTPUT	BEAM ANGLE	COLOR FINISH	CONTROL GEAR (LED DRIVER)
9W	2700K 3000K 4000K 5000K	609~634LM	16° 36°	White	Non Dimmable 1-10V Dimmable DALI Dimmable

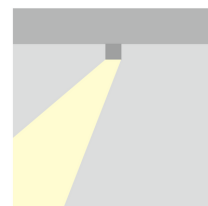
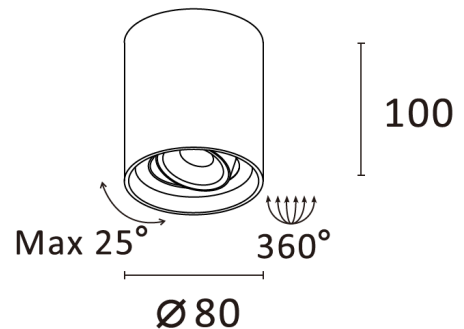


# LED DOWN LIGHT

## EAS-DL146-JC6021

### Technical Details

- Luminaire housing: Aluminum alloy
- Ceiling mounted plate: Cast aluminum.
- The spot light tilts to a maximum of 0°- 25° onto the vertical plane and it is available for 360° horizontal plane.
- Light source: COB LED with a reflector of optical.
- CRI: >80
- IP Rate: IP20



COB LED

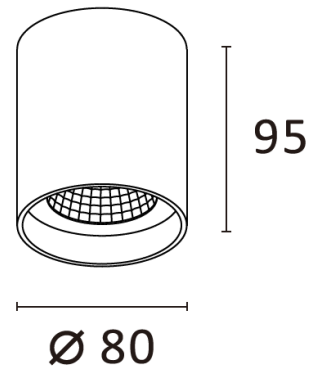
POWER	CCT	LUMEN OUTPUT	BEAM ANGLE	COLOUR FINISH	CONTROL GEAR (LED DRIVER)
6W	2700K 3000K 4000K	610LM	20° 40°	White Silver Black	Non Dimmable

# LED DOWN LIGHT

## EAS-DL146-JC6025

### Technical Details

- Luminaire housing: Aluminum alloy
- Ceiling mounted plate: Cast aluminum.
- Light source: COB LED with a high efficiency reflector of optical.
- CRI: >80
- IP Rate: IP44



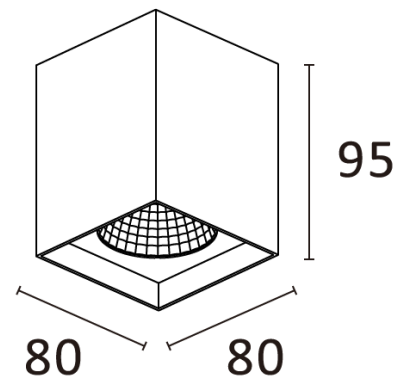
POWER	CCT	LUMEN OUTPUT	BEAM ANGLE	COLOUR FINISH	CONTROL GEAR (LED DRIVER)
6W 10W	2700K 3000K 4000K	630LM 1120LM	45°	White Silver Black	Non Dimmable

# LED DOWN LIGHT

## EAS-DL146-JC6024

### Technical Details

- Luminaire housing: Aluminum alloy
- Ceiling mounted plate: Cast aluminum.
- Light source: COB LED with a high efficiency reflector of optical.
- CRI: >80
- IP Rate: IP44



COB LED

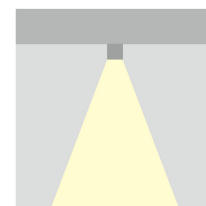
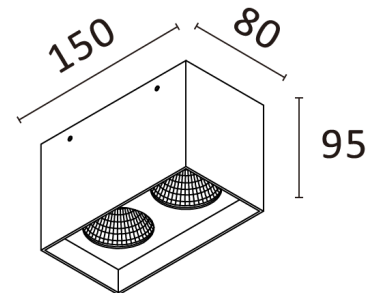
POWER	CCT	LUMEN OUTPUT	BEAM ANGLE	COLOUR FINISH	CONTROL GEAR (LED DRIVER)
6W 10W	2700K 3000K 4000K	630LM 1120LM	45°	White Silver Black	Non Dimmable

# LED DOWN LIGHT

## EAS-DL146-JC6234

### Technical Details

- Luminaire housing: Aluminum alloy
- Ceiling mounted plate: Steel sheet.
- Light source: COB LED with a high efficiency reflector of optical.
- CRI: >80
- IP Rate: IP44



COB LED

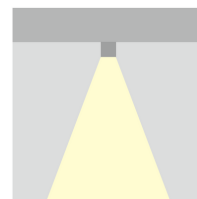
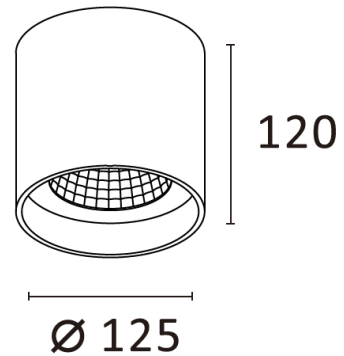
POWER	CCT	LUMEN OUTPUT	BEAM ANGLE	COLOUR FINISH	CONTROL GEAR (LED DRIVER)
2x6W 2x10W	2700K 3000K 4000K	1250LM 2000LM	45°	White Silver Black	Non Dimmable

# LED DOWN LIGHT

## EAS-DL146-JC6045

### Technical Details

- Luminaire housing: Aluminum alloy
- Ceiling mounted plate: Steel sheet.
- Light source: COB LED with a high efficiency reflector of optical.
- CRI: >80
- IP Rate: IP44



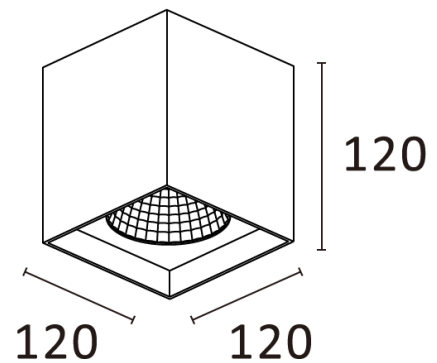
POWER	CCT	LUMEN OUTPUT	BEAM ANGLE	COLOUR FINISH	CONTROL GEAR (LED DRIVER)
15W 20W	2700K 3000K 4000K	1600LM 2200LM	50°	White Silver Black	Non Dimmable

# LED DOWN LIGHT

## EAS-DL146-JC6044

### Technical Details

- Luminaire housing: Aluminum alloy
- Ceiling mounted plate: Steel sheet.
- Light source: COB LED with a high efficiency reflector of optical.
- CRI: >80
- IP Rate: IP44



COB LED

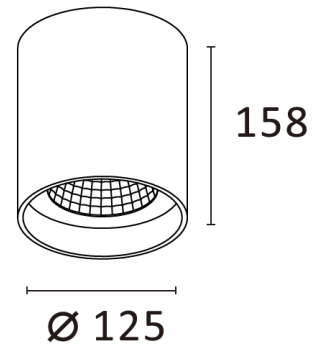
POWER	CCT	LUMEN OUTPUT	BEAM ANGLE	COLOUR FINISH	CONTROL GEAR (LED DRIVER)
15W 20W	2700K 3000K 4000K	1620LM 2220LM	50°	White Silver Black	Non Dimmable

# LED DOWN LIGHT

## EAS-DL146-JC6221

### Technical Details

- Luminaire housing: Aluminum alloy
- Ceiling mounted plate: Steel sheet.
- Light source: COB LED with a high efficiency reflector of optical.
- CRI: >80
- IP Rate: IP44



COB LED

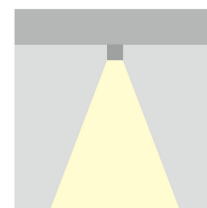
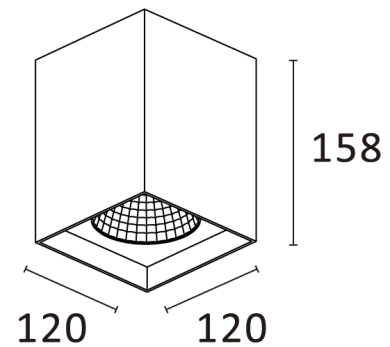
POWER	CCT	LUMEN OUTPUT	BEAM ANGLE	COLOUR FINISH	CONTROL GEAR (LED DRIVER)
20W 25W	2700K 3000K 4000K	2206LM 2500LM	50°	White Silver Black	Non Dimmable 1-10V Dimmable DALI Dimmable Triac Dimmable

# LED DOWN LIGHT

## EAS-DL146-JC6062

### Technical Details

- Luminaire housing: Aluminum alloy
- Ceiling mounted plate: Steel sheet.
- Light source: COB LED with a high efficiency reflector of optical.
- CRI: >80
- IP Rate: IP44



COB LED

POWER	CCT	LUMEN OUTPUT	BEAM ANGLE	COLOUR FINISH	CONTROL GEAR (LED DRIVER)
20W 25W	2700K 3000K 4000K	2206LM 2538LM	50°	White Silver Black	Non Dimmable 1-10V Dimmable DALI Dimmable Triac Dimmable

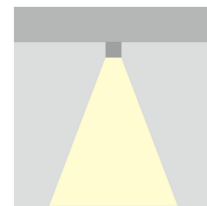
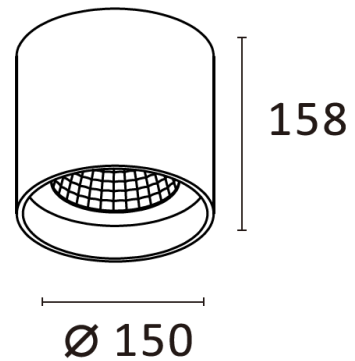


# LED DOWN LIGHT

## EAS-DL146-JC6293

### Technical Details

- Luminaire housing: Aluminum alloy
- Ceiling mounted plate: Steel sheet.
- Light source: COB LED with a high efficiency reflector of optical.
- CRI: >80
- IP Rate: IP44



COB LED

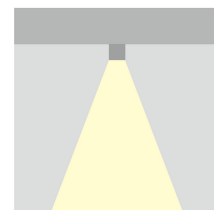
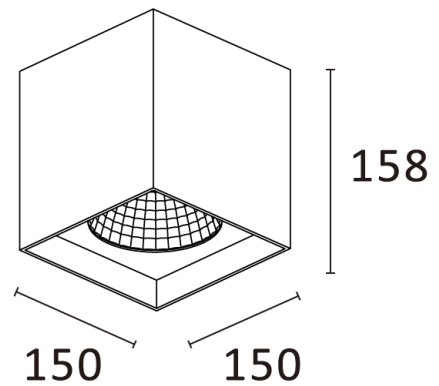
POWER	CCT	LUMEN OUTPUT	BEAM ANGLE	COLOUR FINISH	CONTROL GEAR (LED DRIVER)
25W	2700K	2326LM	60°	White Silver Black	Non Dimmable 1-10V Dimmable DALI Dimmable Triac Dimmable
30W	3000K	3177LM			
40W	4000K	3884LM			

# LED DOWN LIGHT

## EAS-DL146-JC6294

### Technical Details

- Luminaire housing: Aluminum alloy
- Ceiling mounted plate: Steel sheet.
- Light source: COB LED with a high efficiency reflector of optical.
- CRI: >80
- IP Rate: IP44



COB LED

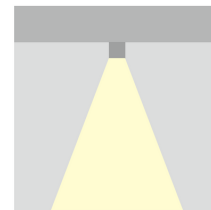
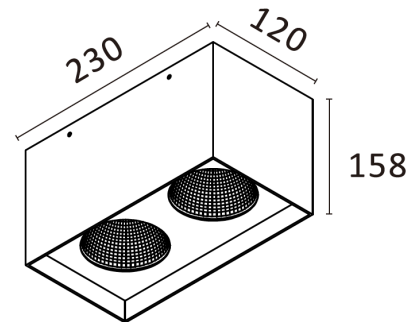
POWER	CCT	LUMEN OUTPUT	BEAM ANGLE	COLOUR FINISH	CONTROL GEAR (LED DRIVER)
25W	2700K	2326LM	60°	White Silver Black	Non Dimmable 1-10V Dimmable DALI Dimmable Triac Dimmable
30W	3000K	3177LM			
40W	4000K	3884LM			

# LED DOWN LIGHT

## EAS-DL146-JC6264

### Technical Details

- Luminaire housing: Aluminum alloy
- Ceiling mounted plate: Steel sheet.
- Light source: COB LED with a high efficiency reflector of optical.
- CRI: >80
- IP Rate: IP44



COB LED

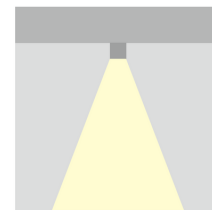
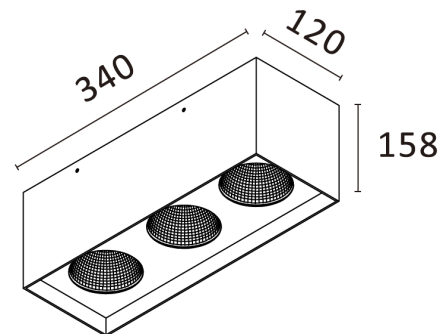
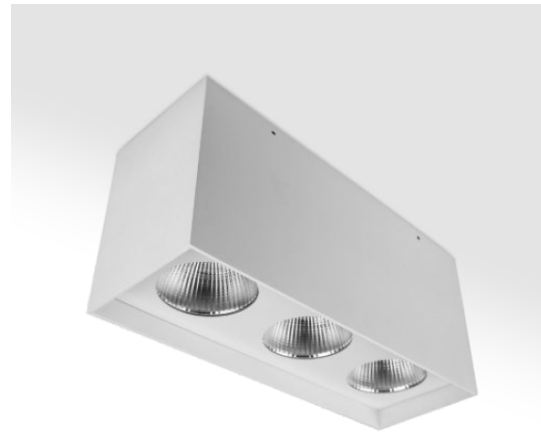
POWER	CCT	LUMEN OUTPUT	BEAM ANGLE	COLOUR FINISH	CONTROL GEAR (LED DRIVER)
2x15W 2x20W	2700K 3000K 4000K	2700LM 4200LM	50°	White Silver Black	Non Dimmable 1-10V Dimmable DALI Dimmable Triac Dimmable

# LED DOWN LIGHT

## EAS-DL146-JC6290

### Technical Details

- Luminaire housing: Aluminum alloy
- Ceiling mounted plate: Steel sheet.
- Light source: COB LED with a high efficiency reflector of optical.
- CRI: >80
- IP Rate: IP44



COB LED

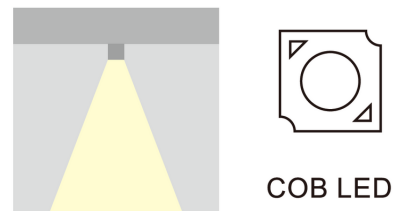
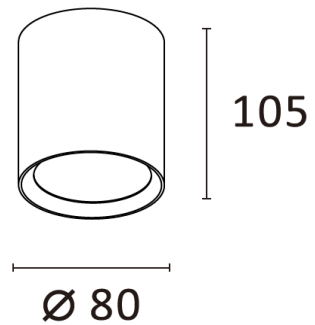
POWER	CCT	LUMEN OUTPUT	BEAM ANGLE	COLOUR FINISH	CONTROL GEAR (LED DRIVER)
3x15W 3x20W	2700K 3000K 4000K	4100LM 6200LM	50°	White Silver Black	Non Dimmable 1-10V Dimmable DALI Dimmable Triac Dimmable

# LED DOWN LIGHT

## EAS-DL146-JC6041

### Technical Details

- Luminaire housing: Aluminum alloy
- Ceiling mounted plate: Steel sheet.
- Light source: COB LED with a high efficiency reflector of optical.
- Finishing color of anti-dazzle ring: black / white / golden / mirror.
- UGR<15.
- CRI: >80
- IP Rate: IP44



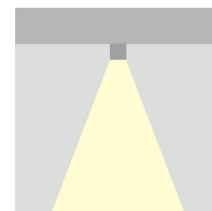
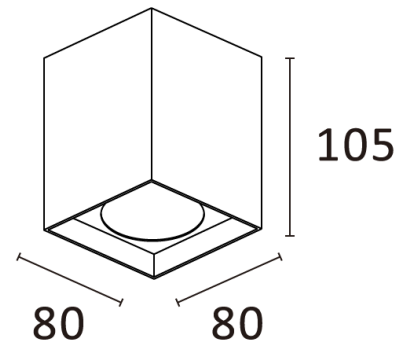
POWER	CCT	LUMEN OUTPUT	BEAM ANGLE	COLOUR FINISH	CONTROL GEAR (LED DRIVER)
6W 10W 15W	2700K 3000K 4000K	636LM 1025LM 1331LM	24° 50°	White Silver Black	Non Dimmable

# LED DOWN LIGHT

## EAS-DL146-JC6042

### Technical Details

- Luminaire housing: Aluminum alloy
- Ceiling mounted plate: Steel sheet.
- Light source: COB LED with a high efficiency reflector of optical.
- Finishing color of anti-dazzle ring: black / white / golden / mirror.
- UGR<15.
- CRI: >80
- IP Rate: IP44



COB LED

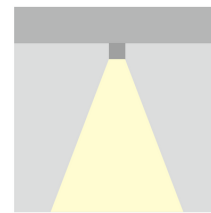
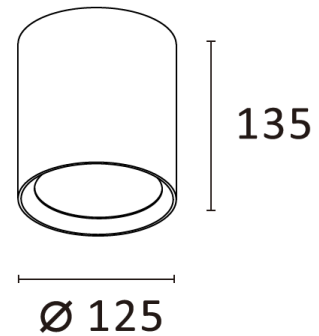
POWER	CCT	LUMEN OUTPUT	BEAM ANGLE	COLOUR FINISH	CONTROL GEAR (LED DRIVER)
6W 10W 15W	2700K 3000K 4000K	636LM 1025LM 1331LM	24° 50°	White Silver Black	Non Dimmable

# LED DOWN LIGHT

## EAS-DL146-JC6305

### Technical Details

- Luminaire housing: Aluminum alloy
- Ceiling mounted plate: Steel sheet.
- Light source: COB LED with a high efficiency reflector of optical.
- Finishing color of anti-dazzle ring: black / white / golden / mirror.
- UGR<15.
- CRI: >80
- IP Rate: IP44



COB LED

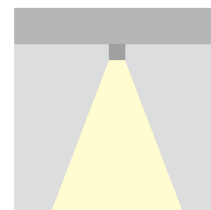
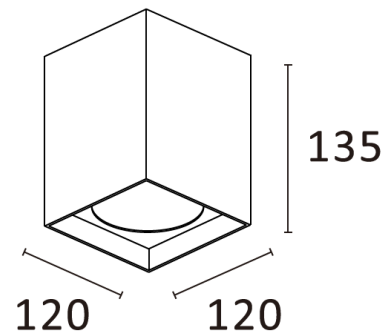
POWER	CCT	LUMEN OUTPUT	BEAM ANGLE	COLOUR FINISH	CONTROL GEAR (LED DRIVER)
15W	2700K	1528LM	24° 50°	White Silver Black	Non Dimmable
20W	3000K	2122LM			
25W	4000K	2453LM			

# LED DOWN LIGHT

## EAS-DL146-JC6304

### Technical Details

- Luminaire housing: Aluminum alloy
- Ceiling mounted plate: Steel sheet.
- Light source: COB LED with a high efficiency reflector of optical.
- Finishing color of anti-dazzle ring: black / white / golden / mirror.
- UGR<15.
- CRI: >80
- IP Rate: IP44



COB LED

POWER	CCT	LUMEN OUTPUT	BEAM ANGLE	COLOUR FINISH	CONTROL GEAR (LED DRIVER)
15W	2700K	1528LM	24° 45°	White Silver Black	Non Dimmable
20W	3000K	2122LM			
25W	4000K	2453LM			

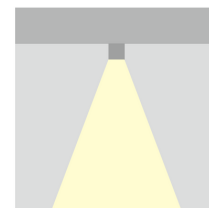
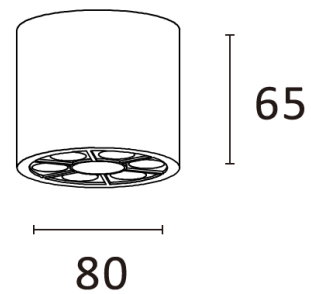


# LED DOWN LIGHT

## EAS-DL146-JC6033

### Technical Details

- Luminaire housing: Aluminum alloy
- Ceiling mounted plate: Steel sheet.
- Circle ring source: 6 pieces high power LED with a circle high efficiency reflector of optical.
- UGR<19.
- CRI: >80
- IP Rate: IP44



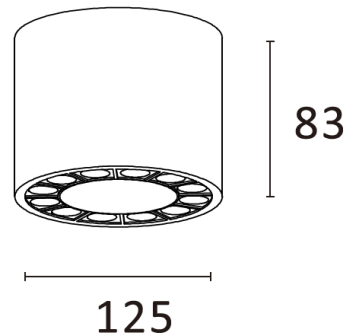
POWER	CCT	LUMEN OUTPUT	BEAM ANGLE	COLOUR FINISH	CONTROL GEAR (LED DRIVER)
6W	2700K 3000K 4000K	597LM	20° 36° 45°	White Silver Black	Non Dimmable

# LED DOWN LIGHT

## EAS-DL146-JC6035

### Technical Details

- Luminaire housing: Aluminum alloy
- Ceiling mounted plate: Steel sheet.
- Circle ring source: 12 pieces high power LED with a circle high efficiency reflector of optical.
- UGR<19.
- CRI: >80
- IP Rate: IP44



High Power LED

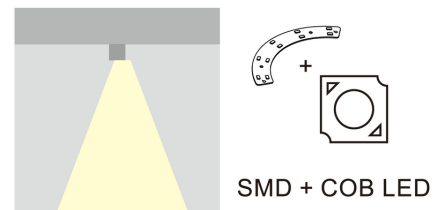
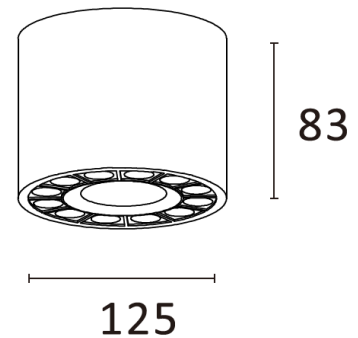
POWER	CCT	LUMEN OUTPUT	BEAM ANGLE	COLOUR FINISH	CONTROL GEAR (LED DRIVER)
10W	2700K	987LM	24°	White Silver Black	Non Dimmable
15W	3000K	1275LM	36°		
20W	4000K	1742LM	50°		

# LED DOWN LIGHT

## EAS-DL146-JC6036

### Technical Details

- Luminaire housing: Aluminum alloy
- Ceiling mounted plate: Steel sheet.
- Circle ring source: 12 pieces high power LED with a circle high efficiency reflector of optical and center COB LED with a high efficiency optical lens.
- UGR<19.
- CRI: >80
- IP Rate: IP44



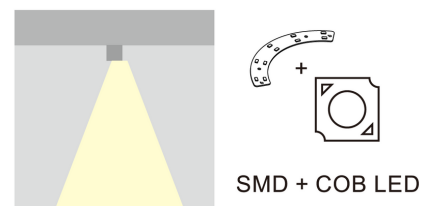
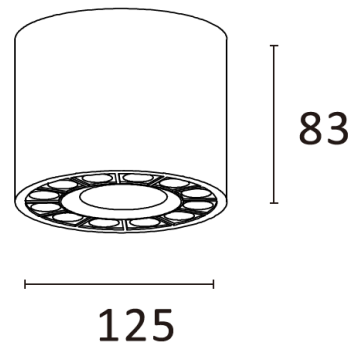
POWER	CCT	LUMEN OUTPUT	BEAM ANGLE	COLOUR FINISH	CONTROL GEAR (LED DRIVER)
10W	2700K	1084LM	24°	White Silver Black	Non Dimmable
15W	3000K	1402LM	36°		
20W	4000K	1958LM	50°		

# LED DOWN LIGHT

## EAS-DL146-JC6037

### Technical Details

- Luminaire housing: Aluminum alloy
- Ceiling mounted plate: Steel sheet.
- Circle ring source: 12 pieces high power LED with a circle high efficiency reflector of optical and center COB LED with a high efficiency optical lens.
- UGR<19.
- CRI: >80
- IP Rate: IP44



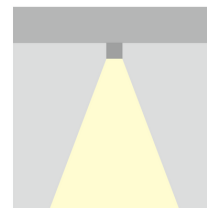
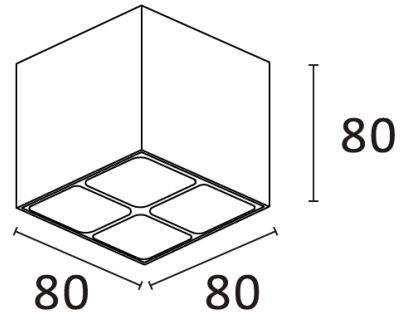
POWER	CCT	LUMEN OUTPUT	BEAM ANGLE	COLOUR FINISH	CONTROL GEAR (LED DRIVER)
10W	2700K	919LM	24°	White	Non Dimmable
15W	3000K	1208LM	36°	Silver	
20W	4000K	1674LM	50°	Black	

# LED DOWN LIGHT

## EAS-DL146-JC6040

### Technical Details

- Luminaire housing: Aluminum alloy
- Ceiling mounted plate: Steel sheet.
- Light source: high power LED with a high efficiency optical.
- UGR<19.
- CRI: >80
- IP Rate: IP44



High Power LED

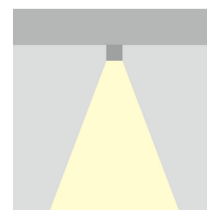
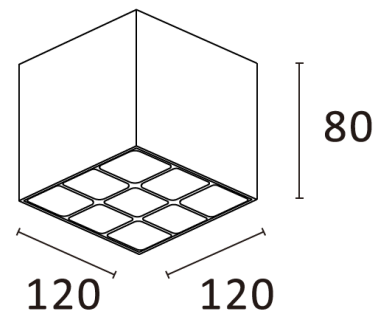
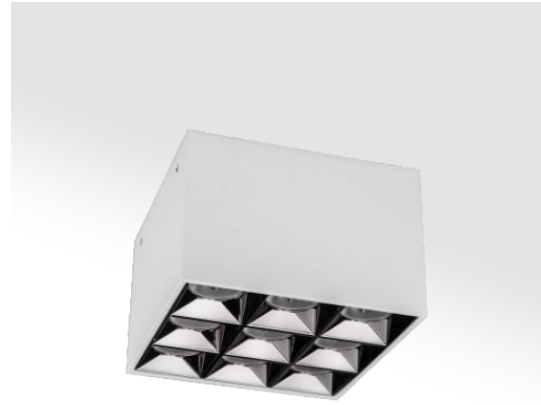
POWER	CCT	LUMEN OUTPUT	BEAM ANGLE	COLOUR FINISH	CONTROL GEAR (LED DRIVER)
6W 12W	2700K 3000K 4000K	549LM 916LM	15° 24° 36° 50°	White Silver Black	Non Dimmable

# LED DOWN LIGHT

## EAS-DL146-JC6053

### Technical Details

- Luminaire housing: Aluminum alloy
- Ceiling mounted plate: Steel sheet.
- Light source: high power LED with a high efficiency optical.
- UGR<19.
- CRI: >80
- IP Rate: IP44



High Power LED

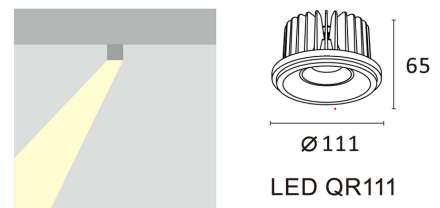
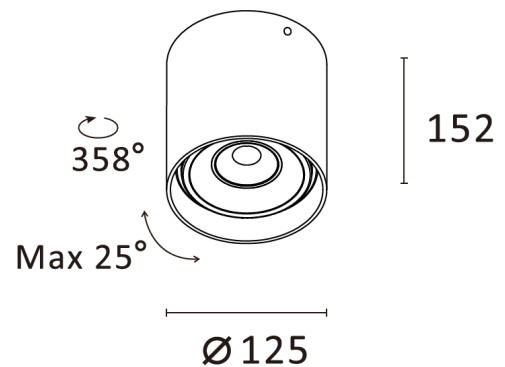
POWER	CCT	LUMEN OUTPUT	BEAM ANGLE	COLOUR FINISH	CONTROL GEAR (LED DRIVER)
15W 20W	2700K 3000K 4000K	1338LM 1574LM	15° 24° 36° 50°	White Silver Black	Non Dimmable

# LED DOWN LIGHT

## EAS-DL146-JC6004

### Technical Details

- Luminaire housing: Aluminum alloy
- Ceiling mounted plate: Steel sheet.
- The spot light tilts to a maximum of 0° to -25° onto the vertical plane and rotates by 368° onto the horizontal plane.
- Light source: COB LED with a lens of optical.
- UGR<19.
- CRI: >80
- IP Rate: IP20



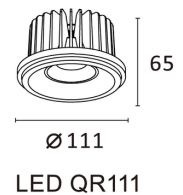
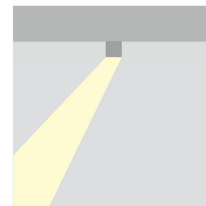
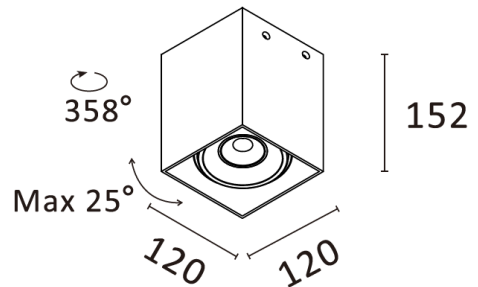
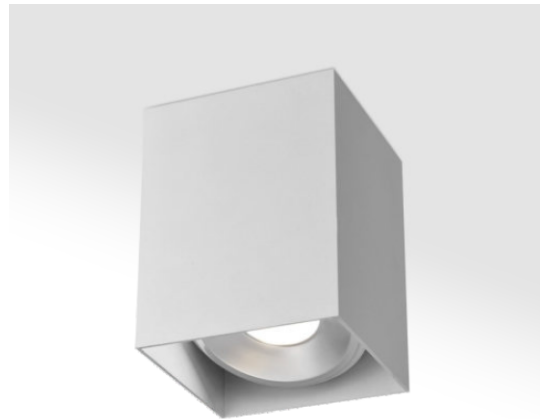
POWER	CCT	LUMEN OUTPUT	BEAM ANGLE	COLOUR FINISH	CONTROL GEAR (LED DRIVER)
15W 20W	2700K 3000K 4000K	1676LM 2300LM	15° 24° 36°	White Silver Black	Non Dimmable 1-10V Dimmable Triac Dimmable

# LED DOWN LIGHT

## EAS-DL146-JC6002

### Technical Details

- Luminaire housing: Aluminum alloy
- Ceiling mounted plate: Steel sheet.
- The spot light tilts to a maximum of 0° to -25° onto the vertical plane and rotates by 368° onto the horizontal plane.
- Light source: COB LED with a lens of optical.
- UGR<19.
- CRI: >80
- IP Rate: IP20



POWER	CCT	LUMEN OUTPUT	BEAM ANGLE	COLOUR FINISH	CONTROL GEAR (LED DRIVER)
15W 20W	2700K 3000K 4000K	1677LM 2280LM	15° 24° 36°	White Silver Black	Non Dimmable 1-10V Dimmable Triac Dimmable

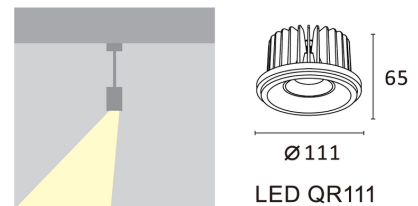
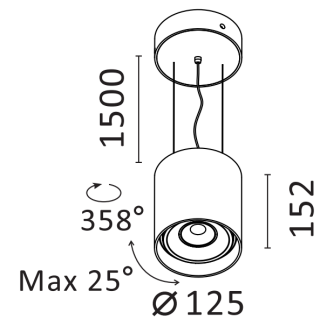
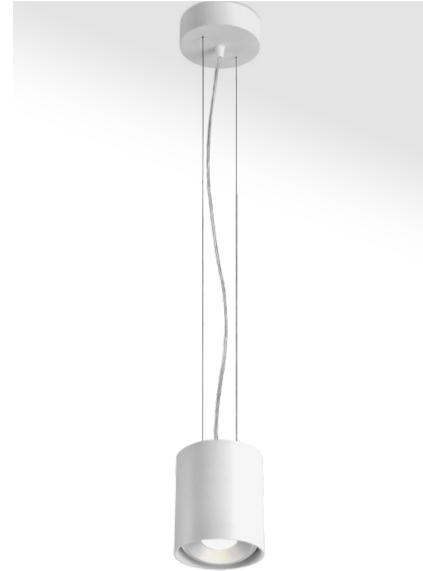


# LED DOWN LIGHT

## EAS-DL146-JP6004

### Technical Details

- Luminaire housing: Aluminum alloy
- Ceiling mounted plate: Steel sheet.
- The spot light to a maximum of 0° to -25° onto the vertical plane and rotates by 368° onto the horizontal plane.
- Light source: COB LED with a lens of optical.
- CRI: >80
- IP Rate: IP20



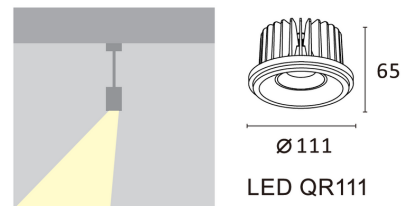
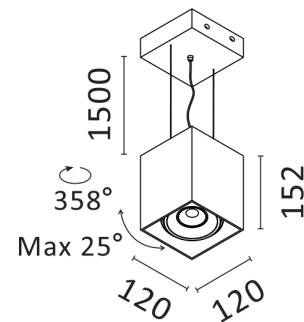
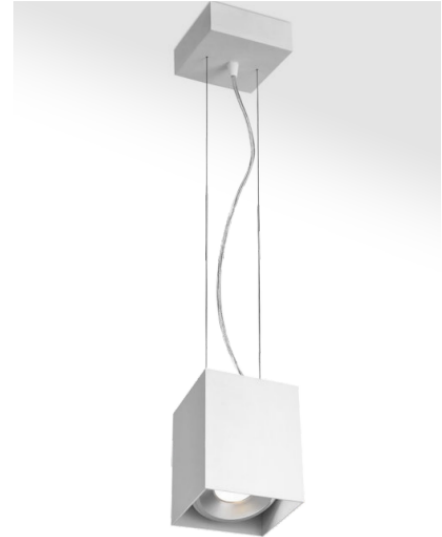
POWER	CCT	LUMEN OUTPUT	BEAM ANGLE	COLOUR FINISH	CONTROL GEAR (LED DRIVER)
15W 20W	2700K 3000K 4000K	1676LM 2000LM	15° 24° 36°	White Silver Black	Non Dimmable 1-10V Dimmable Triac Dimmable

# LED DOWN LIGHT

## EAS-DL146-JP6002

### Technical Details

- Luminaire housing: Aluminum alloy
- Ceiling mounted plate: Steel sheet.
- The spot light to a maximum of 0° to -25° onto the vertical plane and rotates by 368° onto the horizontal plane.
- Light source: COB LED with a lens of optical.
- CRI: >80
- IP Rate: IP20



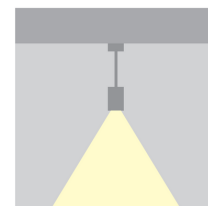
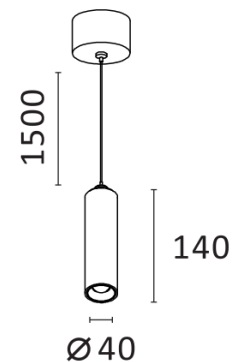
POWER	CCT	LUMEN OUTPUT	BEAM ANGLE	COLOUR FINISH	CONTROL GEAR (LED DRIVER)
15W 20W	2700K 3000K 4000K	1677LM 2000LM	15° 24° 36°	White Silver Black	Non Dimmable 1-10V Dimmable Triac Dimmable

# LED DOWN LIGHT

## EAS-DL146-JP6016

### Technical Details

- Luminaire housing: Aluminum alloy
- Ceiling mounted plate: Steel sheet.
- Light source: COB LED with a lens of optical.
- CRI: >80
- IP Rate: IP20



COB LED

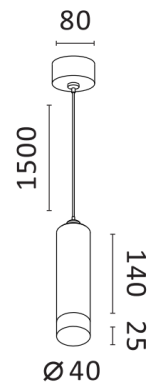
POWER	CCT	LUMEN OUTPUT	BEAM ANGLE	COLOUR FINISH	CONTROL GEAR (LED DRIVER)
6W 10W	2700K 3000K 4000K	540LM 900LM	24° 36° 60°	White Black Antique-Brass Rose Gold Champaign Gold	Non Dimmable

# LED DOWN LIGHT

## EAS-DL146-JP6006

### Technical Details

- Luminaire housing: Aluminum alloy
- Ceiling mounted plate: Steel sheet.
- Light source: COB LED with a lens of optical.
- The light with acrylic optical accessory.
- CRI: >80
- IP Rate: IP20



COB LED

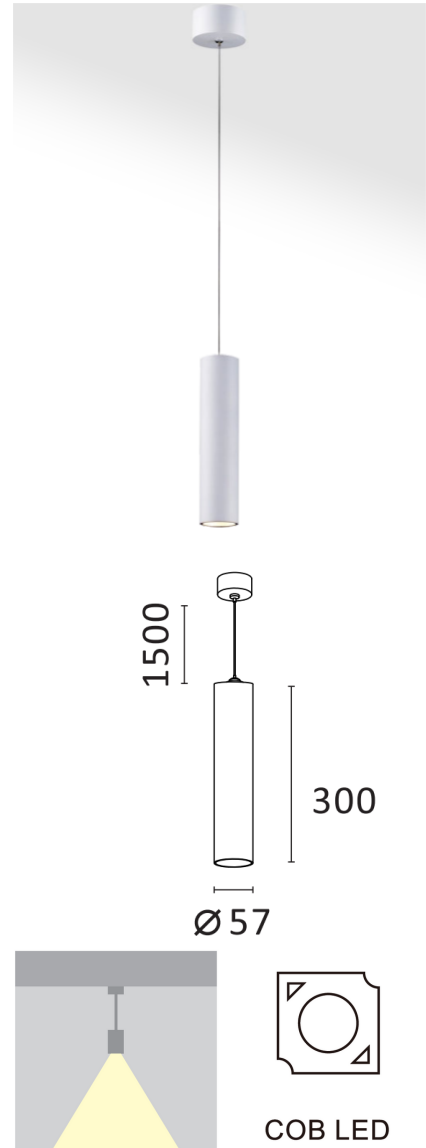
POWER	CCT	LUMEN OUTPUT	BEAM ANGLE	COLOUR FINISH	CONTROL GEAR (LED DRIVER)
6W 10W	2700K 3000K 4000K	471LM 701LM	36° 50°	White Black Antique-Brass Rose Gold Champaign Gold	Non Dimmable

# LED DOWN LIGHT

## EAS-DL146-JP6017

### Technical Details

- Luminaire housing: Aluminum alloy
- Light source: COB LED with a lens of optical.
- CRI: >80
- IP Rate: IP20



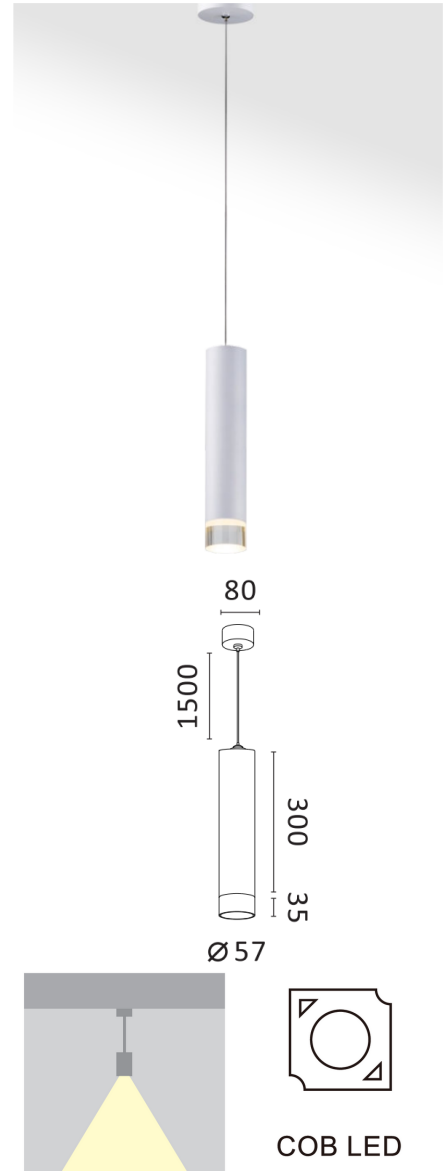
POWER	CCT	LUMEN OUTPUT	BEAM ANGLE	COLOUR FINISH	CONTROL GEAR (LED DRIVER)
6W 10W	2700K 3000K 4000K	658LM 1161LM	24° 36° 60°	White Black Antique-Brass Rose Gold Champaign Gold	Non Dimmable

# LED DOWN LIGHT

## EAS-DL146-JP6007

### Technical Details

- Luminaire housing: Aluminum alloy
- Ceiling mounted plate: Steel sheet.
- Light source: COB LED with a lens of optical.
- The light with acrylic optical accessory.
- CRI: >80
- IP Rate: IP20



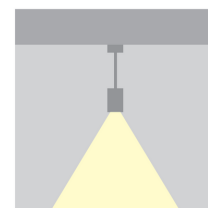
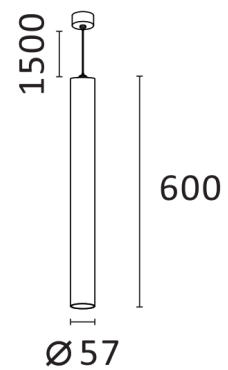
POWER	CCT	LUMEN OUTPUT	BEAM ANGLE	COLOUR FINISH	CONTROL GEAR (LED DRIVER)
6W 10W	2700K 3000K 4000K	584LM 910LM	24° 36°	White Black Antique-Brass Rose Gold Champaign Gold	Non Dimmable

# LED DOWN LIGHT

## EAS-DL146-JP6018

### Technical Details

- Luminaire housing: Aluminum alloy
- Light source: COB LED with a lens of optical.
- CRI: >80
- IP Rate: IP20



COB LED

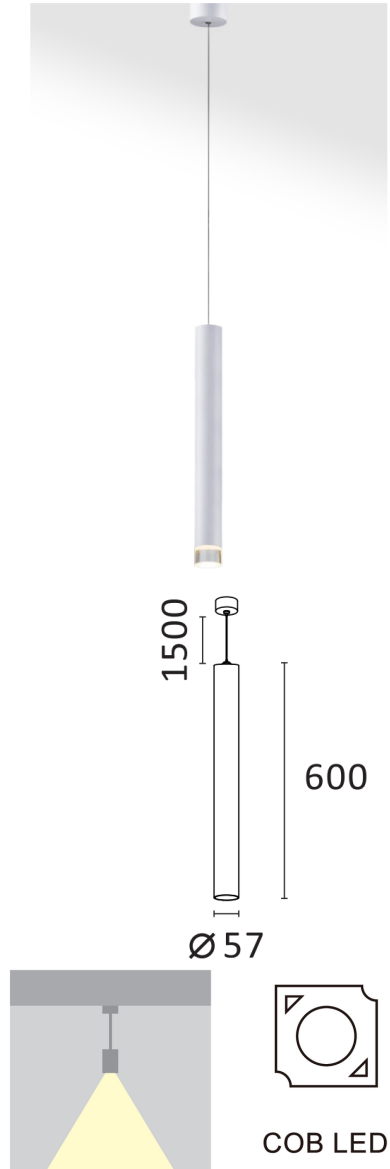
POWER	CCT	LUMEN OUTPUT	BEAM ANGLE	COLOUR FINISH	CONTROL GEAR (LED DRIVER)
6W 10W	2700K 3000K 4000K	658LM 1161LM	24° 36° 60°	White Black Antique-Brass Rose Gold Champaign Gold	Non Dimmable

# LED DOWN LIGHT

## EAS-DL146-JP6008

### Technical Details

- Luminaire housing: Aluminum alloy
- Ceiling mounted plate: Steel sheet.
- Light source: COB LED with a lens of optical.
- The light with acrylic optical accessory.
- CRI: >80
- IP Rate: IP20



POWER	CCT	LUMEN OUTPUT	BEAM ANGLE	COLOUR FINISH	CONTROL GEAR (LED DRIVER)
6W 10W	2700K 3000K 4000K	584LM 910LM	24° 36°	White Black Antique-Brass Rose Gold Champaign Gold	Non Dimmable

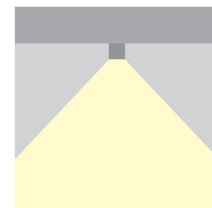
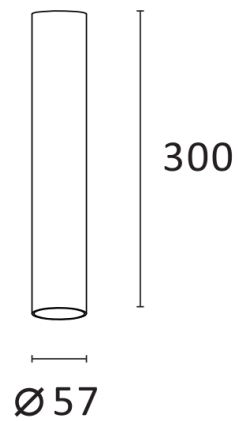


# LED DOWN LIGHT

## EAS-DL146-JC6032

### Technical Details

- Luminaire housing: Aluminum alloy
- Light source: COB LED with a lens of optical.
- CRI: >80
- IP Rate: IP20



COB LED

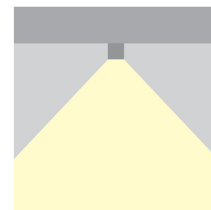
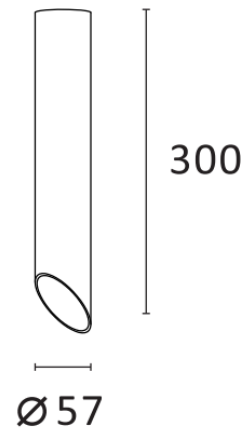
POWER	CCT	LUMEN OUTPUT	BEAM ANGLE	COLOUR FINISH	CONTROL GEAR (LED DRIVER)
6W 10W	2700K 3000K 4000K	658LM 1161LM	24° 36° 60°	White Black Antique-Brass Rose Gold Champaign Gold	Non Dimmable

# LED DOWN LIGHT

## EAS-DL146-JC6031

### Technical Details

- Luminaire housing: Aluminum alloy
- Light source: COB LED with a lens of optical.
- CRI: >80
- IP Rate: IP20



COB LED

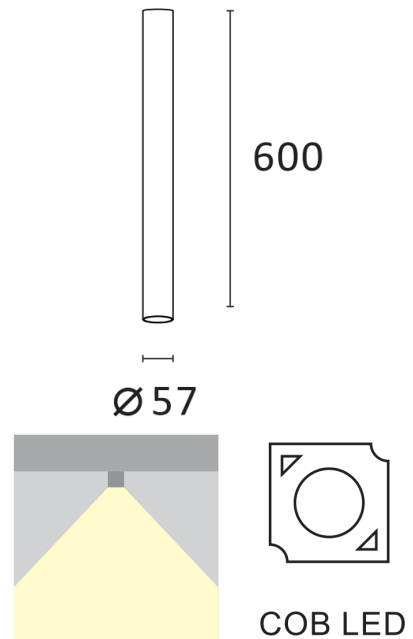
POWER	CCT	LUMEN OUTPUT	BEAM ANGLE	COLOUR FINISH	CONTROL GEAR (LED DRIVER)
6W 10W	2700K 3000K 4000K	520LM 943LM	24° 36° 60°	White Black Antique-Brass Rose Gold Champaign Gold	Non Dimmable

# LED DOWN LIGHT

## EAS-DL146-JC6030

### Technical Details

- Luminaire housing: Aluminum alloy
- Light source: COB LED with a lens of optical.
- CRI: >80
- IP Rate: IP20



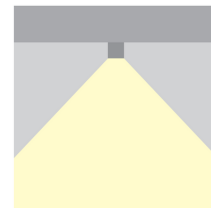
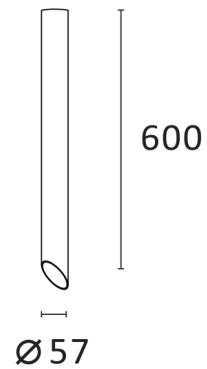
POWER	CCT	LUMEN OUTPUT	BEAM ANGLE	COLOUR FINISH	CONTROL GEAR (LED DRIVER)
6W 10W	2700K 3000K 4000K	658LM 1161LM	24° 36° 60°	White Black Antique-Brass Rose Gold Champaign Gold	Non Dimmable

# LED DOWN LIGHT

## EAS-DL146-JC6029

### Technical Details

- Luminaire housing: Aluminum alloy
- Light source: COB LED with a lens of optical.
- CRI: >80
- IP Rate: IP20



COB LED

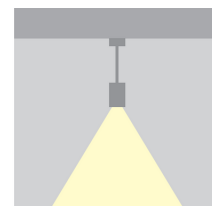
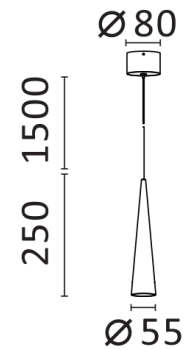
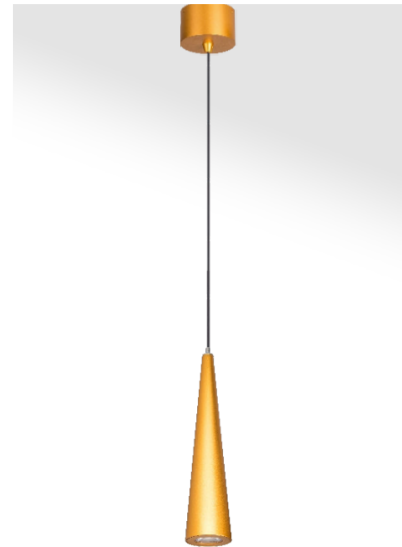
POWER	CCT	LUMEN OUTPUT	BEAM ANGLE	COLOUR FINISH	CONTROL GEAR (LED DRIVER)
6W 10W	2700K 3000K 4000K	520LM 943LM	24° 36° 60°	White Black Antique-Brass Rose Gold Champaign Gold	Non Dimmable

# LED DOWN LIGHT

## EAS-DL146-JP6040

### Technical Details

- Luminaire housing: Aluminum alloy
- Ceiling mounted plate: Steel sheet.
- Light source: COB LED with a high transmittance acrylic optical accessory.
- CRI: >80
- IP Rate: IP20



COB LED

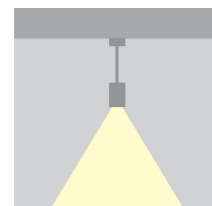
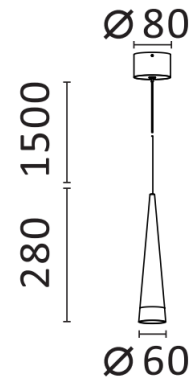
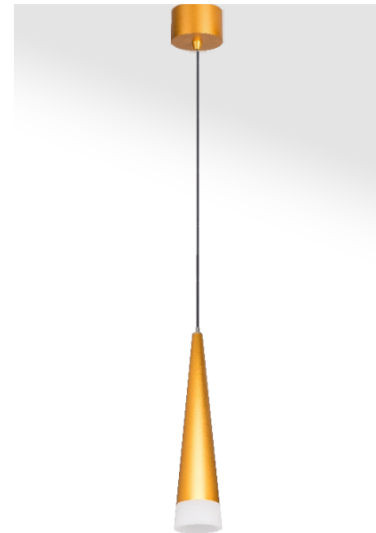
POWER	CCT	LUMEN OUTPUT	BEAM ANGLE	COLOUR FINISH	CONTROL GEAR (LED DRIVER)
6W 10W	2700K 3000K 4000K	751LM 1203LM	24° 36° 45°	White Black Antique-Brass Rose Gold Champaign Gold	Non Dimmable

# LED DOWN LIGHT

## EAS-DL146-JP6041

### Technical Details

- Luminaire housing: Aluminum alloy
- Ceiling mounted plate: Steel sheet.
- Light source: COB LED with a high transmittance acrylic optical accessory.
- CRI: >80
- IP Rate: IP20



COB LED

POWER	CCT	LUMEN OUTPUT	BEAM ANGLE	COLOUR FINISH	CONTROL GEAR (LED DRIVER)
6W 10W	2700K 3000K 4000K	749LM 1190LM	24° 36° 45°	White Black Antique-Brass Rose Gold Champaign Gold	Non Dimmable

# LED DOWN LIGHT

## EAS-DL146-JP6022

### Technical Details

- Luminaire housing: Aluminum alloy
- Ceiling mounted plate: Steel sheet.
- Light source: COB LED with a high efficiency reflector of optical.
- Accessories: Anti-Glare Snoot and honey comb is optional.
- UGR<19
- CRI: >80
- IP Rate: IP20



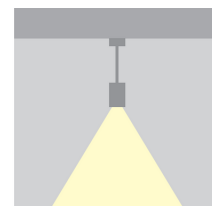
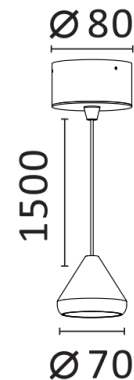
### Optical Accessories



**03142**  
Honey comb for above COB LED pendent lights.



**15034**  
Snoot for above COB LED pendent lights.



COB LED

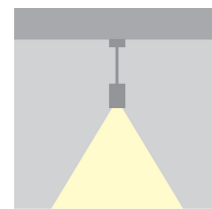
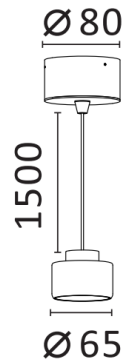
POWER	CCT	LUMEN OUTPUT	BEAM ANGLE	COLOUR FINISH	CONTROL GEAR (LED DRIVER)
6W	2700K 3000K 4000K	590LM	10° 20° 30°	Antique-Brass Rose Gold Champaign Gold	Non Dimmable

# LED DOWN LIGHT

## EAS-DL146-JP6023

### Technical Details

- Luminaire housing: Aluminum alloy
- Ceiling mounted plate: Steel sheet.
- Light source: COB LED with a high efficiency reflector of optical.
- Accessories: Anti-Glare Snoot and honey comb is optional.
- UGR<19
- CRI: >80
- IP Rate: IP20



COB LED

POWER	CCT	LUMEN OUTPUT	BEAM ANGLE	COLOUR FINISH	CONTROL GEAR (LED DRIVER)
6W	2700K 3000K 4000K	590LM	10° 20° 30°	White Antique-Brass Rose Gold Champaign Gold	Non Dimmable



# LED DOWN LIGHT

## EAS-DL146-JP6024

### Technical Details

- Luminaire housing: Aluminum alloy
- Ceiling mounted plate: Steel sheet.
- Light source: COB LED with a high efficiency reflector of optical.
- Accessories: Anti-Glare Snoot and honey comb is optional.
- UGR<19
- CRI: >80
- IP Rate: IP20



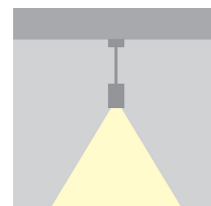
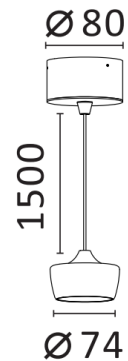
### Optical Accessories



**03142**  
Honey comb for above COB LED pendent lights.



**15034**  
Snoot for above COB LED pendent lights.



COB LED

POWER	CCT	LUMEN OUTPUT	BEAM ANGLE	COLOUR FINISH	CONTROL GEAR (LED DRIVER)
6W	2700K 3000K 4000K	590LM	10° 20° 30°	White Antique-Brass Rose Gold Champaign Gold	Non Dimmable

# LED DOWN LIGHT

## EAS-DL146-JP6025

### Technical Details

- Luminaire housing: Aluminum alloy
- Ceiling mounted plate: Steel sheet.
- Light source: COB LED with a high efficiency reflector of optical.
- Accessories: Anti-Glare Snoot and honey comb is optional.
- UGR<19
- CRI: >80
- IP Rate: IP20

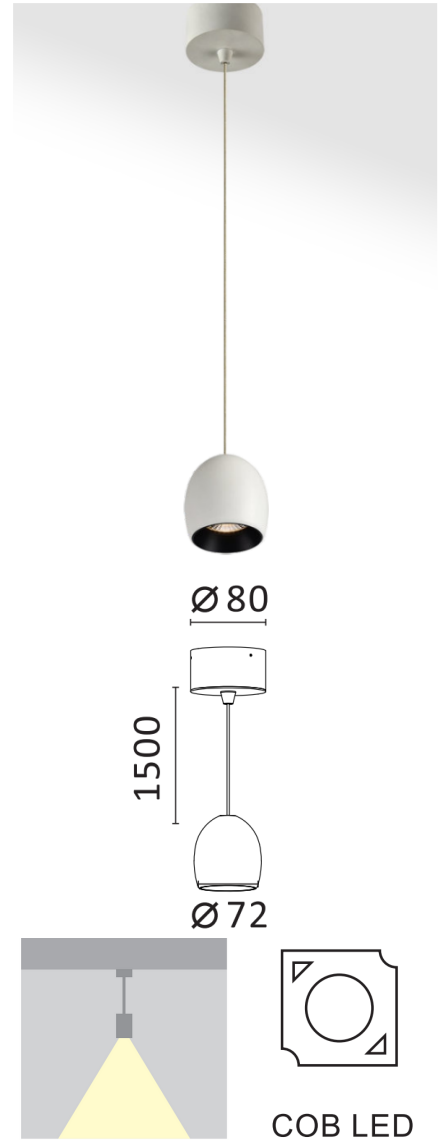
### Optical Accessories



**03142**  
Honey comb for above COB LED pendent lights.



**15034**  
Snoot for above COB LED pendent lights.



POWER	CCT	LUMEN OUTPUT	BEAM ANGLE	COLOUR FINISH	CONTROL GEAR (LED DRIVER)
6W	2700K 3000K 4000K	590LM	10° 20° 30°	White Antique-Brass Rose Gold Champaign Gold	Non Dimmable

# LED DOWN LIGHT

## EAS-DL146-JP6026

### Technical Details

- Luminaire housing: Aluminum alloy
- Ceiling mounted plate: Steel sheet.
- Light source: COB LED with a high efficiency reflector of optical.
- Accessories: Anti-Glare Snoot and honey comb is optional.
- UGR<19
- CRI: >80
- IP Rate: IP20



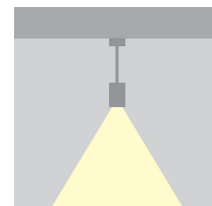
Ø 80



1500



Ø 66



COB LED



03142

Honey comb for above COB LED pendent lights.



15034

Snoot for above COB LED pendent lights.

### Optical Accessories

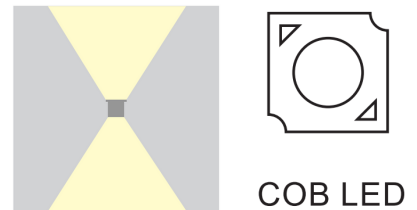
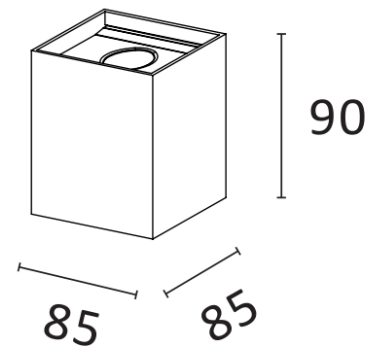
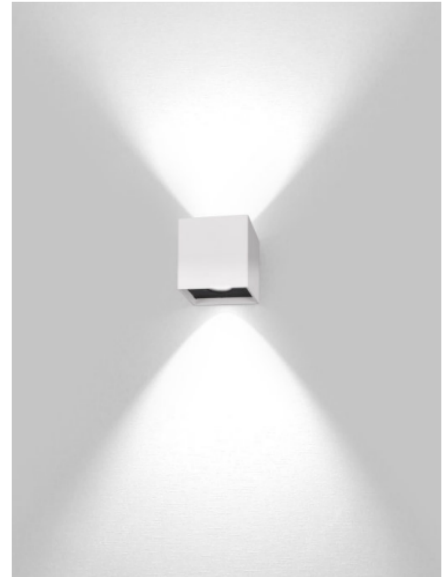
POWER	CCT	LUMEN OUTPUT	BEAM ANGLE	COLOUR FINISH	CONTROL GEAR (LED DRIVER)
6W	2700K 3000K 4000K	590LM	10° 20° 30°	White Antique-Brass Rose Gold Champaign Gold	Non Dimmable

# LED WALL LIGHT

## EAS-DL146-JW6186

### Technical Details

- Screwless design with magnetic mounted to make fixture looks more simple and elegant.
- Comfortable and symmetric light performance.
- Light housing: Aluminum alloy
- Surface mounted and no need wall-mounted plate.
- Light source: COB LED with a reflector of high optical.
- CRI: >80
- IP Rate: IP20



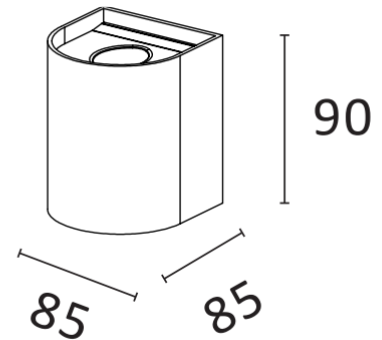
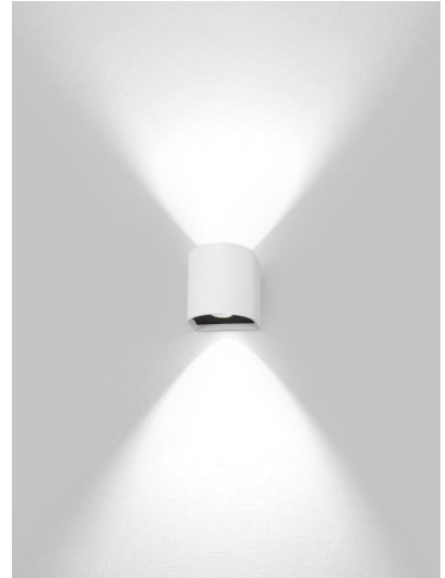
POWER	CCT	LUMEN OUTPUT	COLOUR FINISH	CONTROL GEAR (LED DRIVER)
2x3W	2700K 3000K 4000K	380LM	White Silver Black Aluminum Brush	Non Dimmable

# LED WALL LIGHT

## EAS-DL146-JW6187

### Technical Details

- Screwless design with magnetic mounted to make fixture looks more simple and elegant.
- Comfortable and symmetric light performance.
- Light housing: Aluminum alloy
- Surface mounted and no need wall-mounted plate.
- Light source: COB LED with a reflector of high optical.
- CRI: >80
- IP Rate: IP20



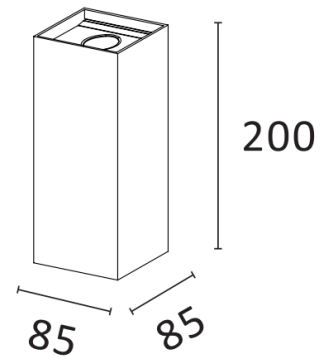
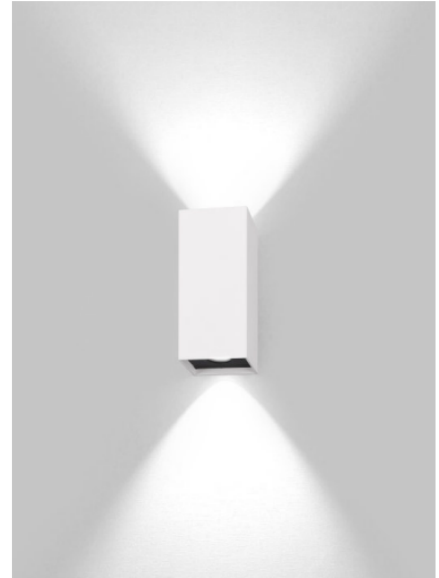
POWER	CCT	LUMEN OUTPUT	COLOUR FINISH	CONTROL GEAR (LED DRIVER)
2x3W	2700K 3000K 4000K	380LM	White Silver Black Aluminum Brush	Non Dimmable

# LED WALL LIGHT

## EAS-DL146-JW7500

### Technical Details

- Screwless design with magnetic mounted to make fixture looks more simple and elegant.
- Comfortable and symmetric light performance.
- Light housing: Aluminum alloy
- Surface mounted and no need wall-mounted plate.
- Light source: COB LED with a reflector of high optical.
- CRI: >80
- IP Rate: IP20



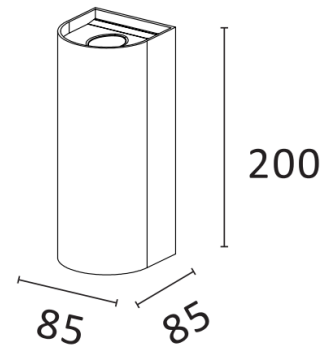
POWER	CCT	LUMEN OUTPUT	COLOUR FINISH	CONTROL GEAR (LED DRIVER)
2x8W	2700K 3000K 4000K	580LM	White Silver Black Aluminum Brush	Non Dimmable

# LED WALL LIGHT

## EAS-DL146-JW7600

### Technical Details

- Screwless design with magnetic mounted to make fixture looks more simple and elegant.
- Comfortable and symmetric light performance.
- Light housing: Aluminum alloy
- Surface mounted and no need wall-mounted plate.
- Light source: COB LED with a reflector of high optical.
- CRI: >80
- IP Rate: IP20



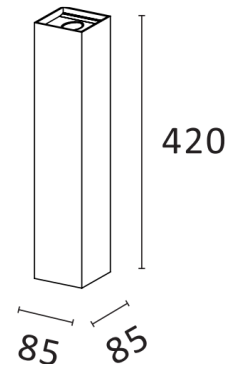
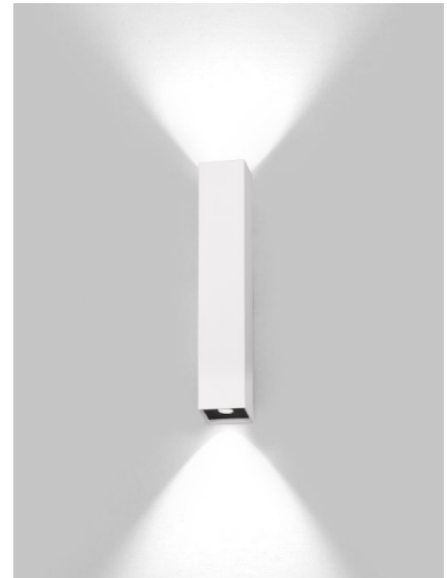
POWER	CCT	LUMEN OUTPUT	COLOUR FINISH	CONTROL GEAR (LED DRIVER)
2x8W	2700K 3000K 4000K	580LM	White Silver Black Aluminum Brush	Non Dimmable

# LED WALL LIGHT

## EAS-DL146-JW7501

### Technical Details

- Screwless design with magnetic mounted to make fixture looks more simple and elegant.
- Comfortable and symmetric light performance.
- Light housing: Aluminum alloy
- Surface mounted and no need wall-mounted plate.
- Light source: COB LED with a reflector of high optical.
- CRI: >80
- IP Rate: IP20



POWER	CCT	LUMEN OUTPUT	COLOUR FINISH	CONTROL GEAR (LED DRIVER)
2x8W	2700K 3000K 4000K	580LM	White Silver Black Aluminum Brush	Non Dimmable

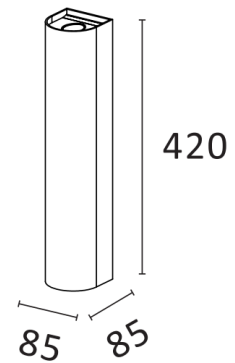
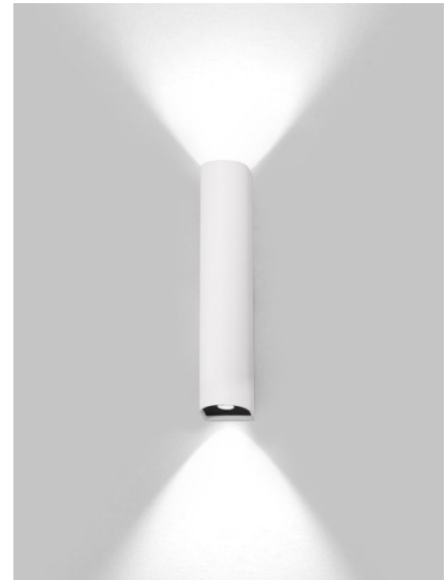


# LED WALL LIGHT

## EAS-DL146-JW7601

### Technical Details

- Screwless design with magnetic mounted to make fixture looks more simple and elegant.
- Comfortable and symmetric light performance.
- Light housing: Aluminum alloy
- Surface mounted and no need wall-mounted plate.
- Light source: COB LED with a reflector of high optical.
- CRI: >80
- IP Rate: IP20



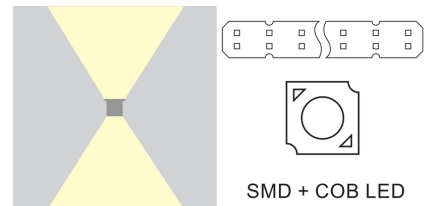
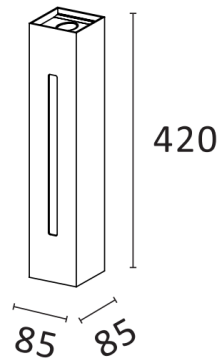
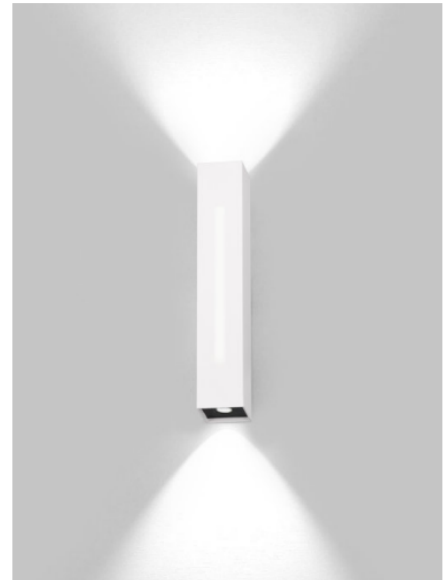
POWER	CCT	LUMEN OUTPUT	COLOUR FINISH	CONTROL GEAR (LED DRIVER)
2x8W	2700K 3000K 4000K	580LM	White Silver Black Aluminum Brush	Non Dimmable

# LED WALL LIGHT

## EAS-DL146-JW7503

### Technical Details

- Screwless design with magnetic mounted to make fixture looks more simple and elegant.
- Comfortable and symmetric light performance.
- Light housing: Aluminum alloy
- Surface mounted and no need wall-mounted plate.
- Light source: COB LED with a reflector of high optical and SMD LED with acrylic diffuser.
- CRI: >80
- IP Rate: IP20



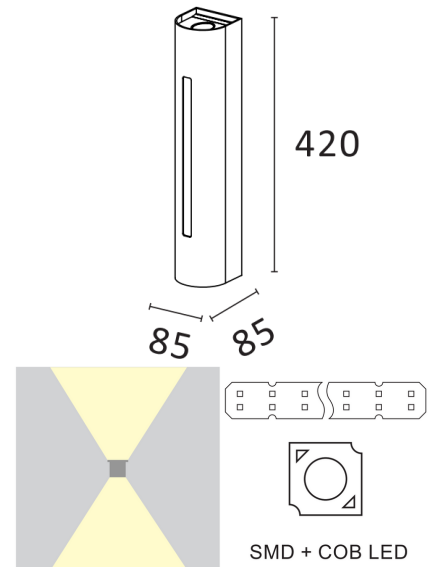
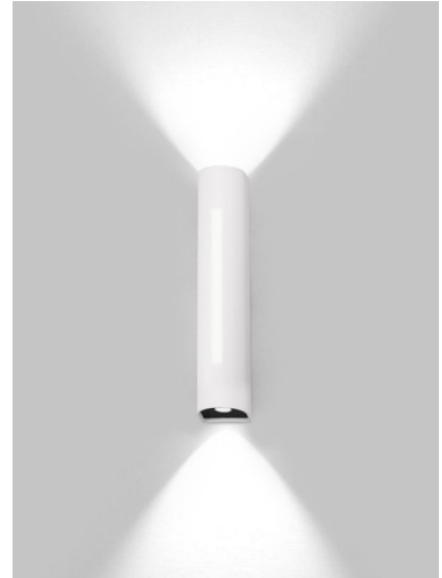
POWER	CCT	LUMEN OUTPUT	COLOUR FINISH	CONTROL GEAR (LED DRIVER)
COB2x8W + SMD5W	2700K 3000K 4000K	830LM	White Silver Black Aluminum Brush	Non Dimmable

# LED WALL LIGHT

## EAS-DL146-JW7603

### Technical Details

- Screwless design with magnetic mounted to make fixture looks more simple and elegant.
- Comfortable and symmetric light performance.
- Light housing: Aluminum alloy
- Surface mounted and no need wall-mounted plate.
- Light source: COB LED with a reflector of high optical and SMD LED with acrylic diffuser.
- CRI: >80
- IP Rate: IP20



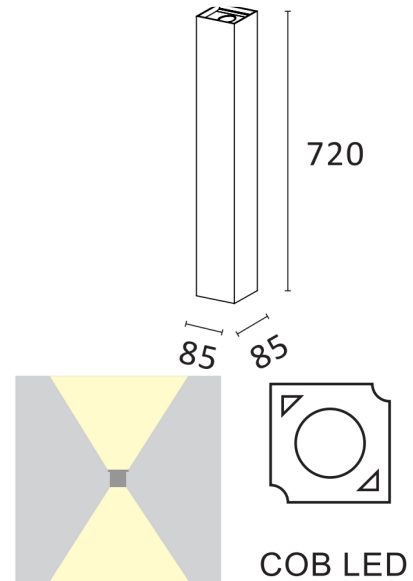
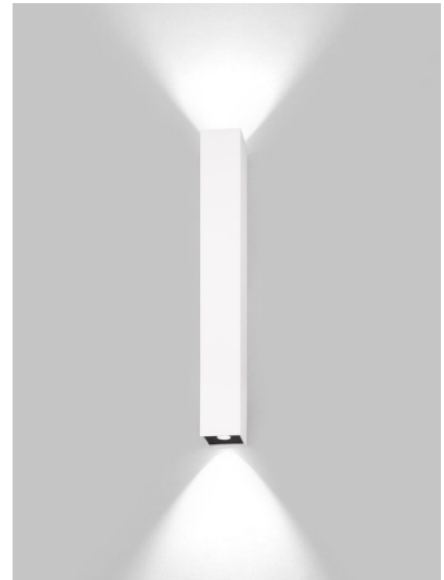
POWER	CCT	LUMEN OUTPUT	COLOUR FINISH	CONTROL GEAR (LED DRIVER)
COB2x8W + SMD5W	2700K 3000K 4000K	830LM	White Silver Black Aluminum Brush	Non Dimmable

# LED WALL LIGHT

## EAS-DL146-JW7502

### Technical Details

- Screwless design with magnetic mounted to make fixture looks more simple and elegant.
- Comfortable and symmetric light performance.
- Light housing: Aluminum alloy
- Surface mounted and no need wall-mounted plate.
- Light source: COB LED with a reflector of high optical.
- CRI: >80
- IP Rate: IP20



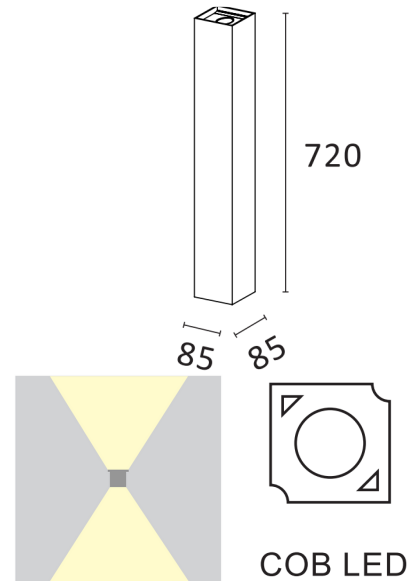
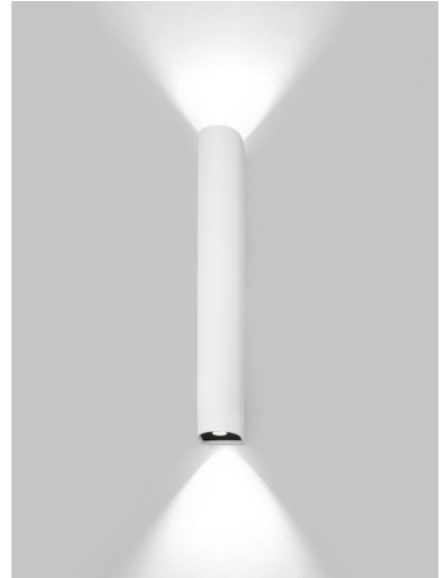
POWER	CCT	LUMEN OUTPUT	COLOUR FINISH	CONTROL GEAR (LED DRIVER)
2x8W	2700K 3000K 4000K	580LM	White Silver Black Aluminum Brush	Non Dimmable

# LED WALL LIGHT

## EAS-DL146-JW7602

### Technical Details

- Screwless design with magnetic mounted to make fixture looks more simple and elegant.
- Comfortable and symmetric light performance.
- Light housing: Aluminum alloy
- Surface mounted and no need wall-mounted plate.
- Light source: COB LED with a reflector of high optical.
- CRI: >80
- IP Rate: IP20



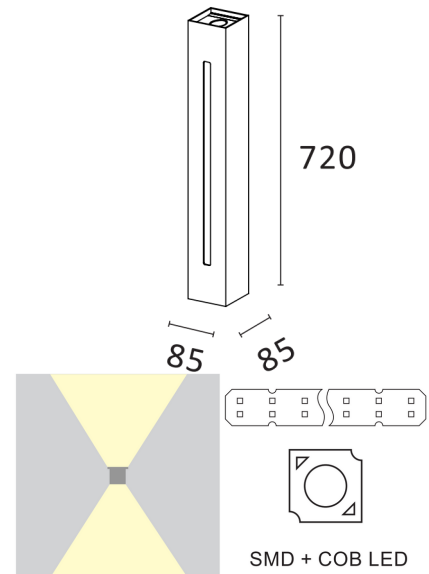
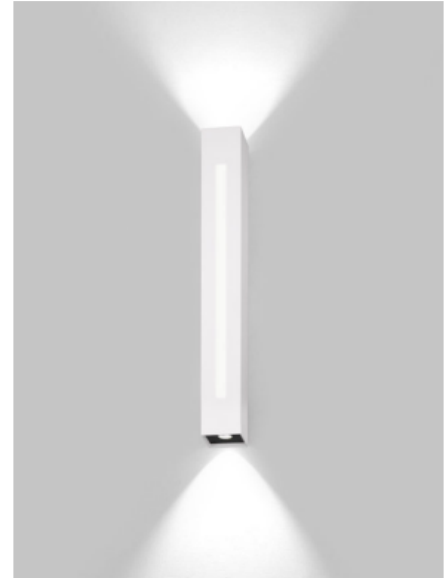
POWER	CCT	LUMEN OUTPUT	COLOUR FINISH	CONTROL GEAR (LED DRIVER)
2x8W	2700K 3000K 4000K	580LM	White Silver Black Aluminum Brush	Non Dimmable

# LED WALL LIGHT

## EAS-DL146-JW7504

### Technical Details

- Screwless design with magnetic mounted to make fixture looks more simple and elegant.
- Comfortable and symmetric light performance.
- Light housing: Aluminum alloy
- Surface mounted and no need wall-mounted plate.
- Light source: COB LED with a reflector of high optical and SMD LED with acrylic diffuser.
- CRI: >80
- IP Rate: IP20



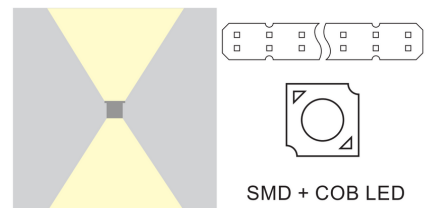
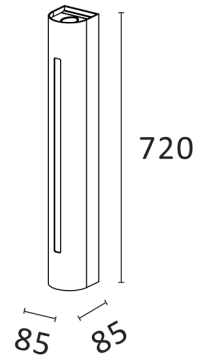
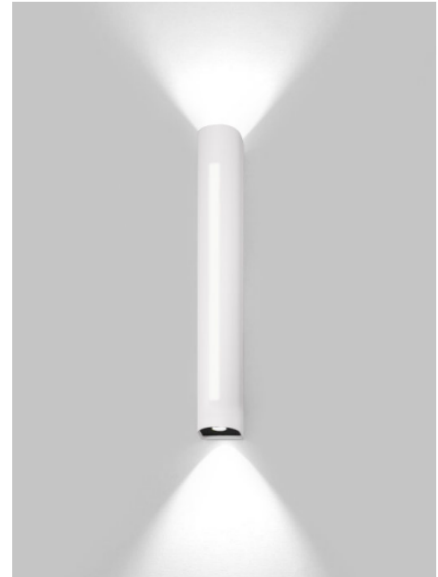
POWER	CCT	LUMEN OUTPUT	COLOUR FINISH	CONTROL GEAR (LED DRIVER)
COB2x8W + SMD10W	2700K 3000K 4000K	960LM	White Silver Black Aluminum Brush	Non Dimmable

# LED WALL LIGHT

## EAS-DL146-JW7604

### Technical Details

- Screwless design with magnetic mounted to make fixture looks more simple and elegant.
- Comfortable and symmetric light performance.
- Light housing: Aluminum alloy
- Surface mounted and no need wall-mounted plate.
- Light source: COB LED with a reflector of high optical and SMD LED with acrylic diffuser.
- CRI: >80
- IP Rate: IP20



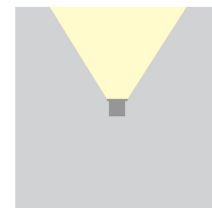
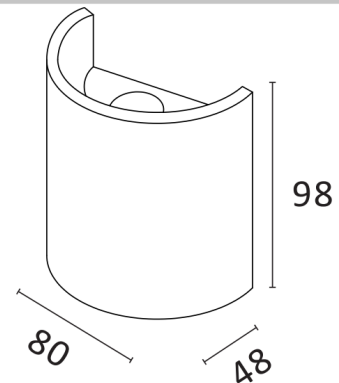
POWER	CCT	LUMEN OUTPUT	COLOUR FINISH	CONTROL GEAR (LED DRIVER)
COB2x8W + SMD10W	2700K 3000K 4000K	960LM	White Silver Black Aluminum Brush	Non Dimmable

# LED WALL LIGHT

## EAS-DL146-JW6102

### Technical Details

- Light housing: Aluminum alloy
- Wall-mounted plate: Steel sheet.
- Light source: COB LED
- Included LED driver.
- CRI: >80
- IP Rate: IP20



COB LED

POWER	CCT	LUMEN OUTPUT	COLOUR FINISH	CONTROL GEAR (LED DRIVER)
5W	2700K 3000K 4000K	383LM	White Silver Black	Non Dimmable

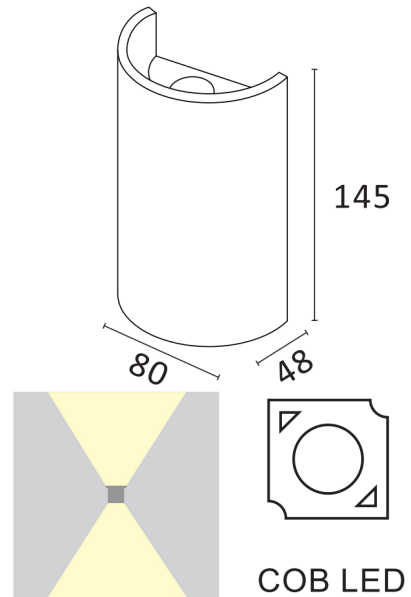


# LED WALL LIGHT

## EAS-DL146-JW6036

### Technical Details

- Light housing: Aluminum alloy
- Wall-mounted plate: Steel sheet.
- Light source: COB LED
- Included LED driver.
- CRI: >80
- IP Rate: IP20



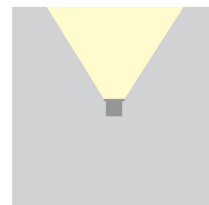
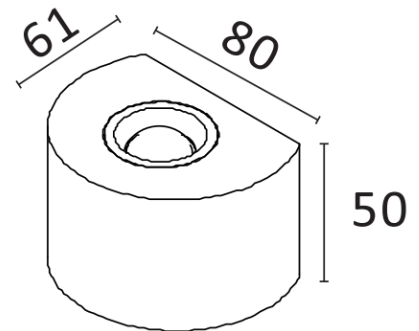
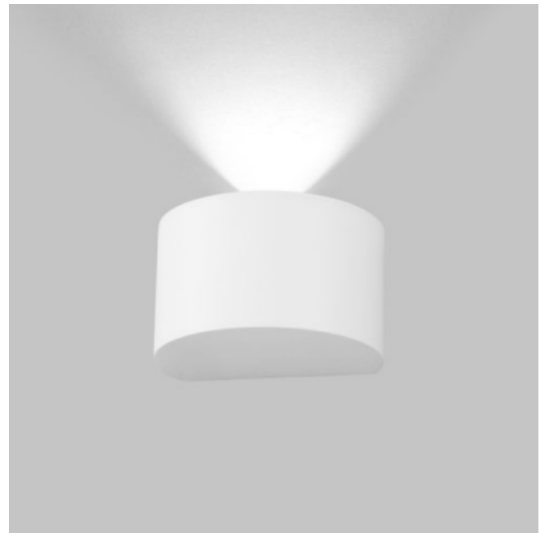
POWER	CCT	LUMEN OUTPUT	COLOUR FINISH	CONTROL GEAR (LED DRIVER)
2x3W	2700K 3000K 4000K	468LM	White Silver Black Aluminum Brush	Non Dimmable

# LED WALL LIGHT

## EAS-DL146-JW6014

### Technical Details

- Luminaire housing: Cast Aluminum.
- Wall-mounted plate: Stainless sheet.
- Light source: COB LED
- Included LED driver.
- CRI: >80
- IP Rate: IP20



COB LED

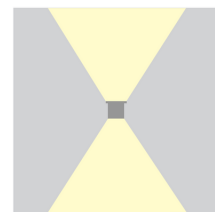
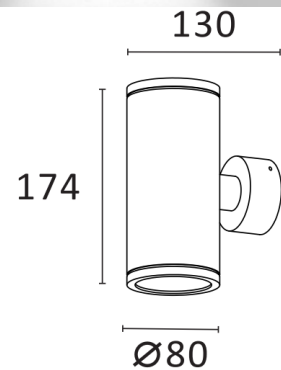
POWER	CCT	LUMEN OUTPUT	COLOUR FINISH	CONTROL GEAR (LED DRIVER)
5W	2700K 3000K 4000K	383LM	White Silver Black	Non Dimmable

# LED WALL LIGHT

## EAS-DL146-JW6001

### Technical Details

- Luminaire housing: Aluminum alloy
- Wall-mounted plate: Steel sheet.
- Light source: COB LED
- Included LED driver.
- CRI: >80
- IP Rate: IP20



COB LED

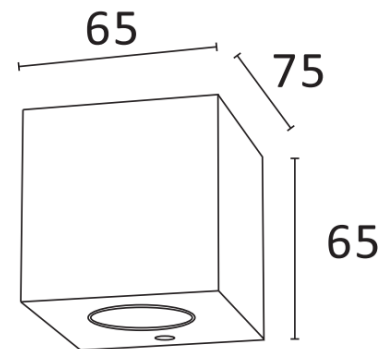
POWER	CCT	LUMEN OUTPUT	COLOUR FINISH	CONTROL GEAR (LED DRIVER)
2x5W	2700K 3000K 4000K	900LM	White Silver Black	Non Dimmable

# LED WALL LIGHT

## EAS-DL146-JW6016

### Technical Details

- Luminaire housing: Aluminum alloy
- Wall-mounted plate: Stainless sheet.
- Light source: COB LED with a reflector of high optical.
- Included LED driver.
- CRI: >80
- IP Rate: IP20



COB LED

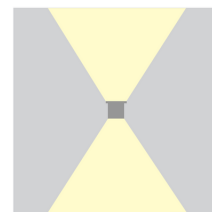
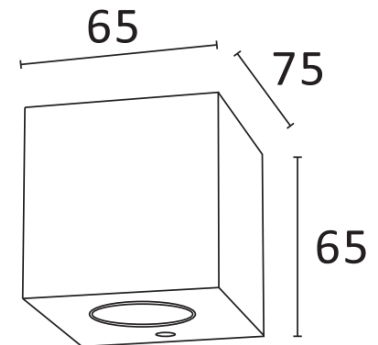
POWER	CCT	LUMEN OUTPUT	COLOUR FINISH	CONTROL GEAR (LED DRIVER)
5W	2700K 3000K 4000K	380LM	White Brush Black	Non Dimmable

# LED WALL LIGHT

## EAS-DL146-JW6019

### Technical Details

- Luminaire housing: Aluminum alloy
- Wall-mounted plate: Stainless sheet.
- Light source: COB LED with a reflector of high optical.
- Included LED driver.
- CRI: >80
- IP Rate: IP20



COB LED

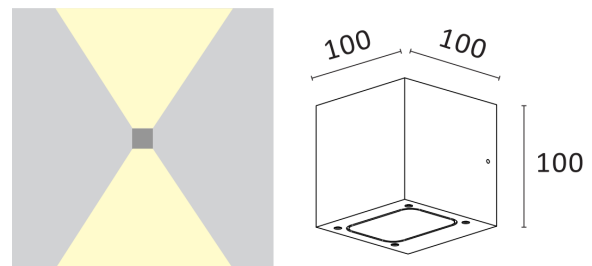
POWER	CCT	LUMEN OUTPUT	COLOUR FINISH	CONTROL GEAR (LED DRIVER)
2x3W	2700K 3000K 4000K	450LM	White Brush Black	Non Dimmable

# LED WALL LIGHT

## EAS-DL146-JW6171

### Technical Details

- Luminaire housing: Aluminum alloy
- Wall-mounted plate: Steel sheet.
- Light source: COB LED with a lens of optical.
- Included LED driver.
- CRI: >80
- IP Rate: IP20



COB LED

POWER	CCT	LUMEN OUTPUT	COLOUR FINISH	CONTROL GEAR (LED DRIVER)
2x5W	2700K 3000K 4000K	800LM	White Silver Black	Non Dimmable

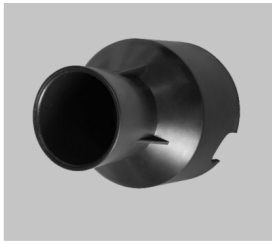
# LED WALL LIGHT

## EAS-DL146-JW6810

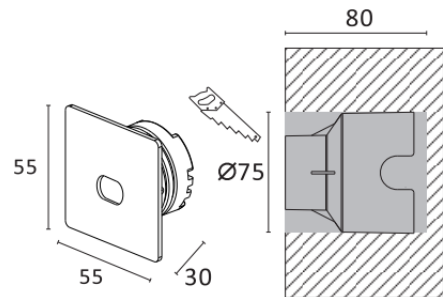
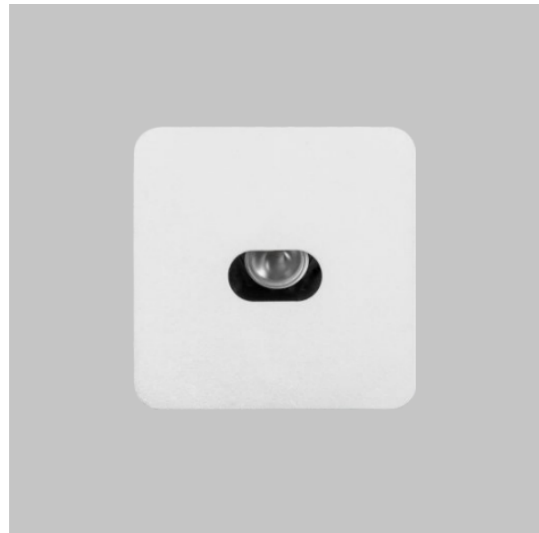
### Technical Details

- Housing: Cast Aluminum
- Light source: HIGH POWER LED.
- Included LED driver.
- CRI: >80
- IP Rate: IP44

### Optical Accessories



7578  
Accessories



HIGH POWER

POWER	CCT	LUMEN OUTPUT	COLOUR FINISH	CONTROL GEAR (LED DRIVER)
1W 3W	2700K 3000K 4000K	59LM 103LM	White Silver Black	Non Dimmable

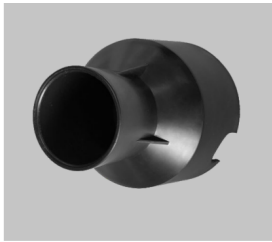
# LED WALL LIGHT

## EAS-DL146-JW6811

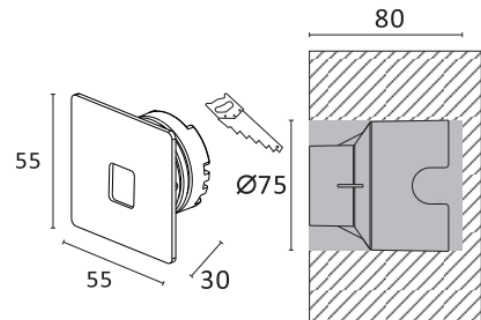
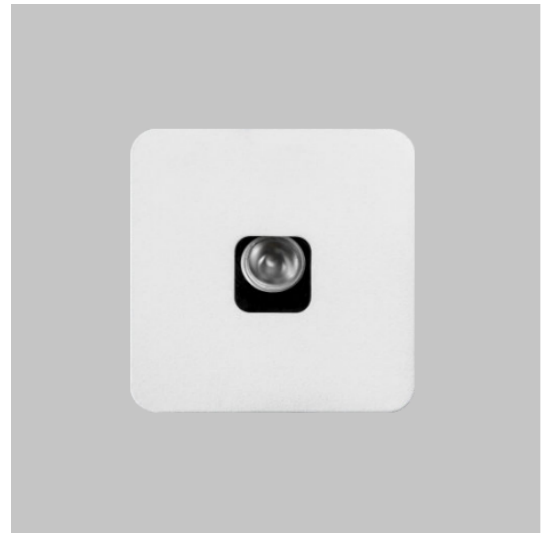
### Technical Details

- Housing: Cast Aluminum
- Light source: HIGH POWER LED.
- Included LED driver.
- CRI: >80
- IP Rate: IP44

### Optical Accessories



7578  
Accessories



POWER	CCT	LUMEN OUTPUT	COLOUR FINISH	CONTROL GEAR (LED DRIVER)
1W 3W	2700K 3000K 4000K	70LM 124LM	White Silver Black	Non Dimmable



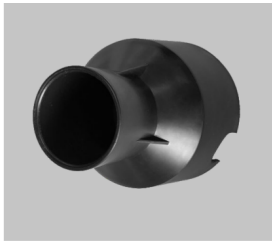
# LED WALL LIGHT

## EAS-DL146-JW6812

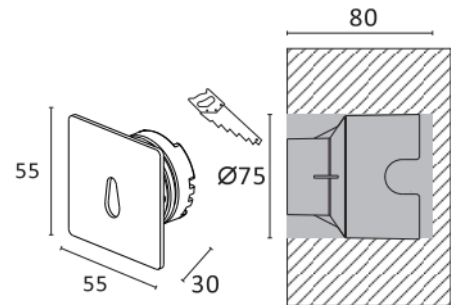
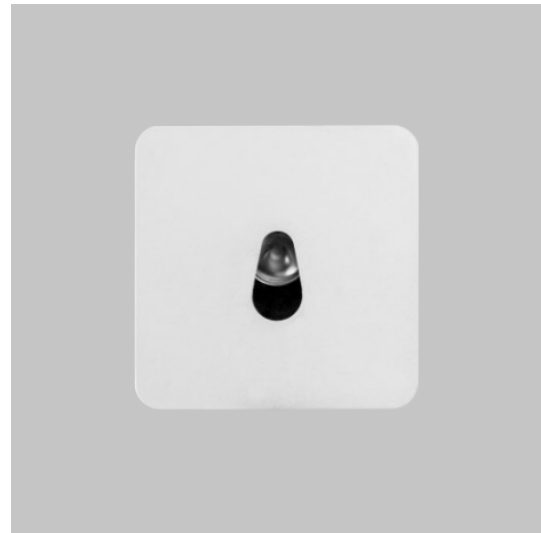
### Technical Details

- Housing: Cast Aluminum
- Light source: HIGH POWER LED.
- Included LED driver.
- CRI: >80
- IP Rate: IP44

### Optical Accessories



7578  
Accessories



HIGH POWER

POWER	CCT	LUMEN OUTPUT	COLOUR FINISH	CONTROL GEAR (LED DRIVER)
1W 3W	2700K 3000K 4000K	54LM 96LM	White Silver Black	Non Dimmable

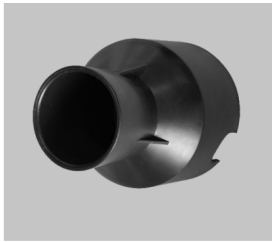
# LED WALL LIGHT

## EAS-DL146-JW6813

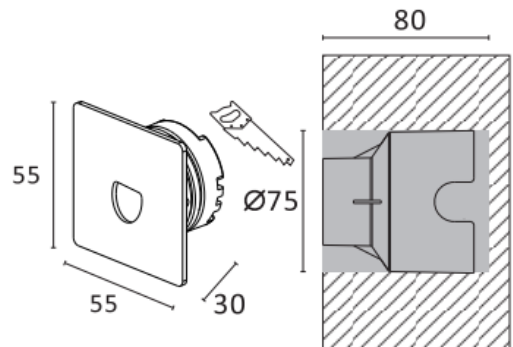
### Technical Details

- Housing: Cast Aluminum
- Light source: HIGH POWER LED.
- Included LED driver.
- CRI: >80
- IP Rate: IP44

### Optical Accessories



7578  
Accessories



POWER	CCT	LUMEN OUTPUT	COLOUR FINISH	CONTROL GEAR (LED DRIVER)
1W 3W	2700K 3000K 4000K	66LM 116LM	White Silver Black	Non Dimmable

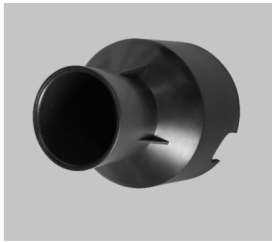
# LED WALL LIGHT

## EAS-DL146-JW6814

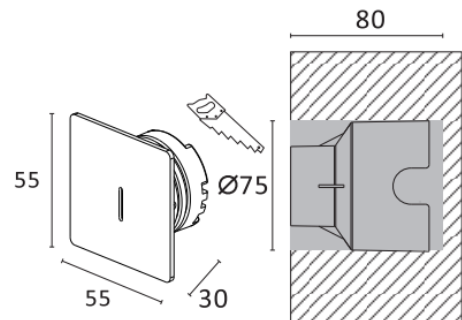
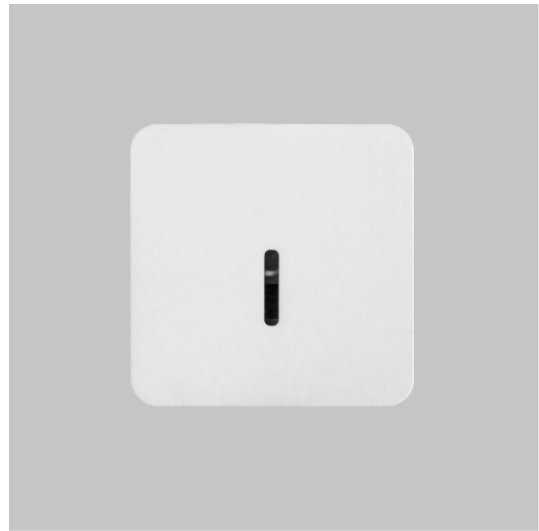
### Technical Details

- Housing: Cast Aluminum
- Light source: HIGH POWER LED.
- Included LED driver.
- CRI: >80
- IP Rate: IP44

### Optical Accessories



7578  
Accessories



POWER	CCT	LUMEN OUTPUT	COLOUR FINISH	CONTROL GEAR (LED DRIVER)
1W 3W	2700K 3000K 4000K	17LM 29LM	White Silver Black	Non Dimmable

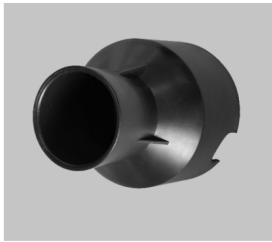
# LED WALL LIGHT

## EAS-DL146-JW6815

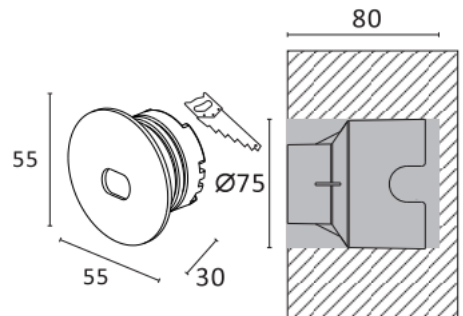
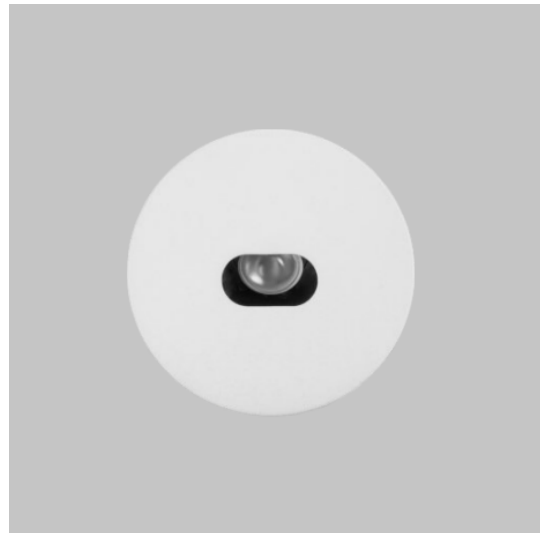
### Technical Details

- Housing: Cast Aluminum
- Light source: HIGH POWER LED.
- Included LED driver.
- CRI: >80
- IP Rate: IP44

### Optical Accessories



7578  
Accessories



HIGH POWER

POWER	CCT	LUMEN OUTPUT	COLOUR FINISH	CONTROL GEAR (LED DRIVER)
1W 3W	2700K 3000K 4000K	59LM 103LM	White Silver Black	Non Dimmable

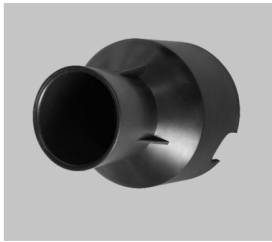
# LED WALL LIGHT

## EAS-DL146-JW6816

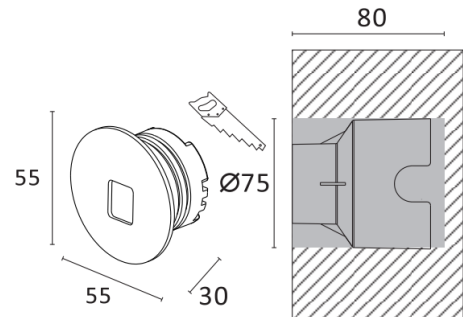
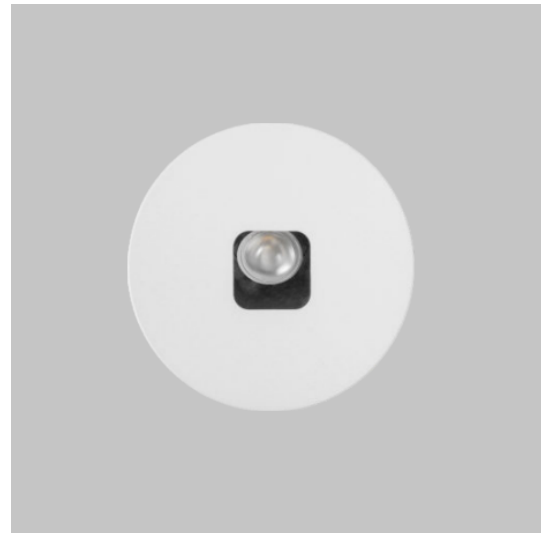
### Technical Details

- Housing: Cast Aluminum
- Light source: HIGH POWER LED.
- Included LED driver.
- CRI: >80
- IP Rate: IP44

### Optical Accessories



7578  
Accessories



POWER	CCT	LUMEN OUTPUT	COLOUR FINISH	CONTROL GEAR (LED DRIVER)
1W 3W	2700K 3000K 4000K	70LM 124LM	White Silver Black	Non Dimmable

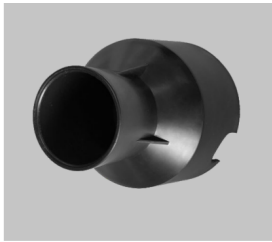
# LED WALL LIGHT

## EAS-DL146-JW6817

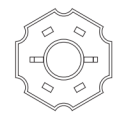
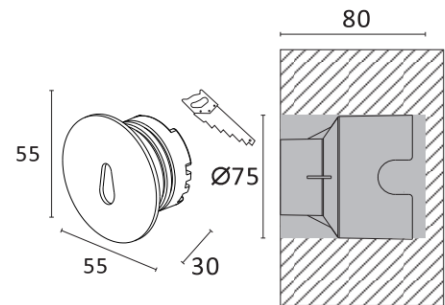
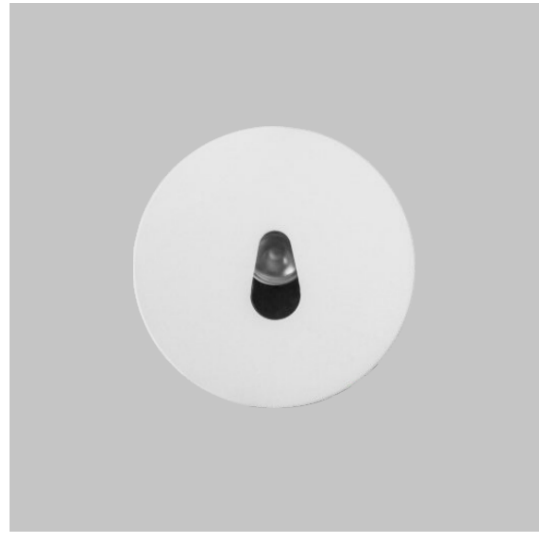
### Technical Details

- Housing: Cast Aluminum
- Light source: HIGH POWER LED.
- Included LED driver.
- CRI: >80
- IP Rate: IP44

### Optical Accessories



7578  
Accessories



HIGH POWER

POWER	CCT	LUMEN OUTPUT	COLOUR FINISH	CONTROL GEAR (LED DRIVER)
1W 3W	2700K 3000K 4000K	54LM 96LM	White Silver Black	Non Dimmable

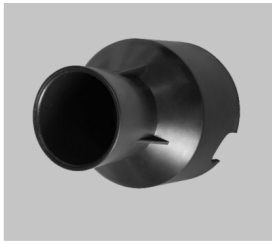
# LED WALL LIGHT

## EAS-DL146-JW6818

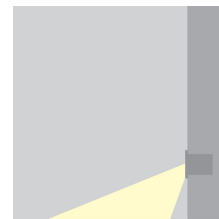
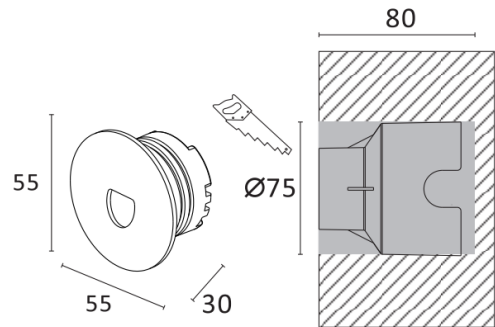
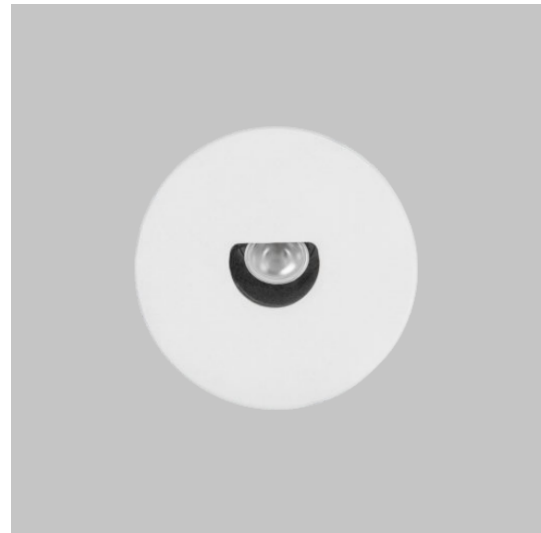
### Technical Details

- Housing: Cast Aluminum
- Light source: HIGH POWER LED.
- Included LED driver.
- CRI: >80
- IP Rate: IP44

### Optical Accessories



7578  
Accessories



POWER	CCT	LUMEN OUTPUT	COLOUR FINISH	CONTROL GEAR (LED DRIVER)
1W 3W	2700K 3000K 4000K	66LM 116LM	White Silver Black	Non Dimmable

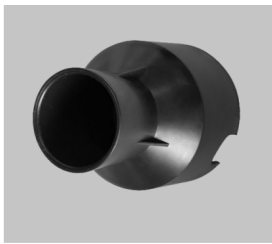
# LED WALL LIGHT

## EAS-DL146-JW6819

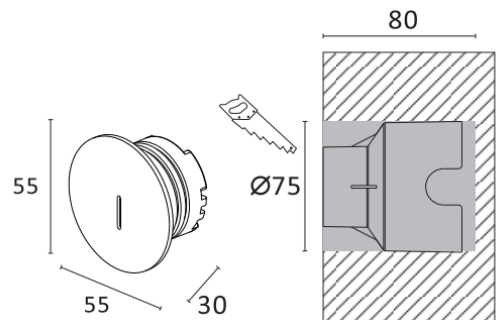
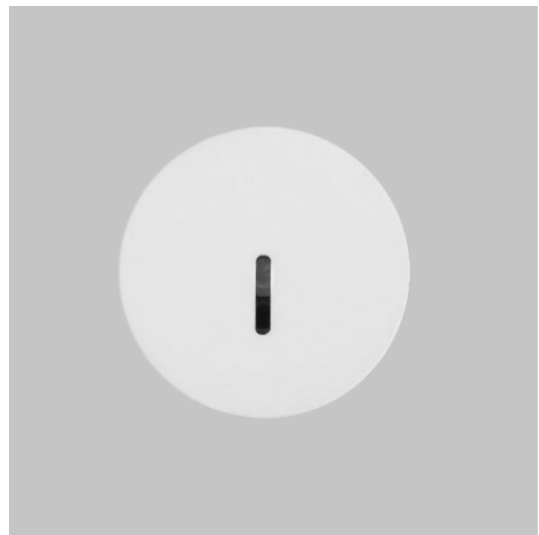
### Technical Details

- Housing: Cast Aluminum
- Light source: HIGH POWER LED.
- Included LED driver.
- CRI: >80
- IP Rate: IP44

### Optical Accessories



7578  
Accessories



POWER	CCT	LUMEN OUTPUT	COLOUR FINISH	CONTROL GEAR (LED DRIVER)
1W 3W	2700K 3000K 4000K	17LM 29LM	White Silver Black	Non Dimmable



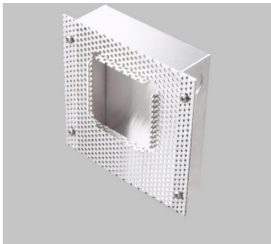
# LED WALL LIGHT

## EAS-DL146-JR6008

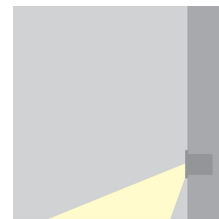
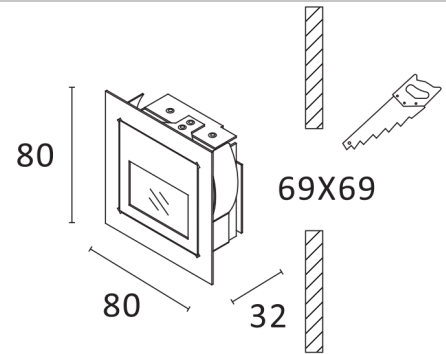
### Technical Details

- Housing: Aluminum sheet
- Light source: HIGH POWER LED.
- Included LED driver.
- CRI: >80
- IP Rate: IP20

### Optical Accessories



5058  
Accessories



POWER	CCT	LUMEN OUTPUT	COLOUR FINISH	CONTROL GEAR (LED DRIVER)
1W 3W	2700K 3000K 4000K	35LM 68LM	White Silver Black	Non Dimmable

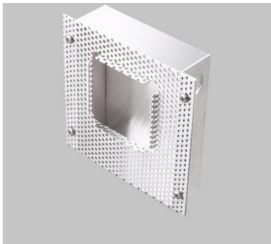
# LED WALL LIGHT

## EAS-DL146-JR6803

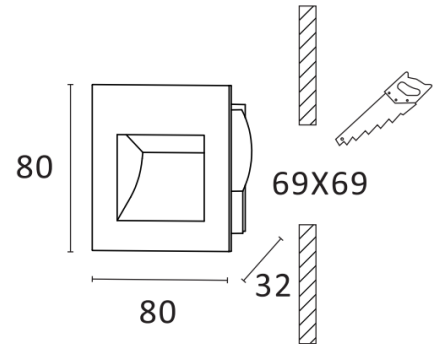
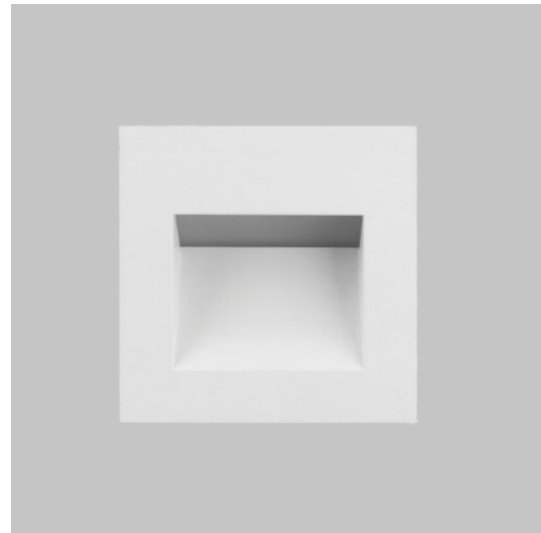
### Technical Details

- Housing: Cast aluminum.
- Light source: COD LED/ HIGH POWER.
- Included LED driver.
- CRI: >80
- IP Rate: IP20

### Optical Accessories



5058  
Accessories



3W  
COB LED



1W  
HIGH POWER

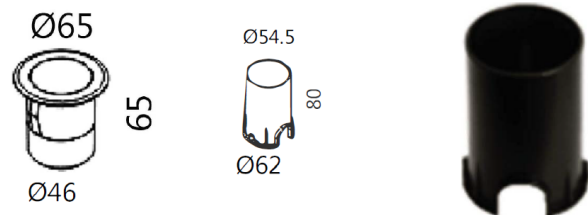
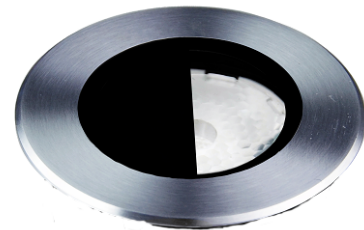
POWER	CCT	LUMEN OUTPUT	COLOUR FINISH	CONTROL GEAR (LED DRIVER)
1W 3W	2700K 3000K 4000K	49LM 190LM	White Silver Black	Non Dimmable

# LED INGROUND LIGHT

## EAS-HD-2065R

### Technical Details

- Housing Material: Stainless Steel 316, body mad of graphene
- Front Plate: Hard chrome-plated SUS 316# Stainless Steel
- Light Source: OSRAM COB LED with lens optical
- Diffuser: Tempered Transparent Glass T=8mm
- Fastener: 304 Stainless Steel
- 50,000 Hours Lifespan
- DC24V
- Voltage: DC24V
- CRI: >98
- SCDM: 3
- CCT: 3000K
- IP/IK Rate: IP68/IK08



POWER	CCT	LUMEN OUTPUT	COLOUR FINISH	CONTROL GEAR (LED DRIVER)
4W	2700K 3000K 4000K 6000K	305~359LM	Anodized Black Customized	Non Dimmable DALI Dimmable



# CONTACT US

[www.easi-me.com](http://www.easi-me.com)

[info@easi-me.com](mailto:info@easi-me.com)

+971 4 333 8814