



LED INDUSTRIAL LIGHTING

Product Catalogue 2022 - 2023

LED UFO HIGHBAY LIGHT



EAS-HBL90-FWHBU

Technical Details

- 5 years guaranteed SOSEN driver with power factor 0.95 and efficiency up to 93.5%. Meanwell driver available upon request;
- LM80 approved Philips Lumileds SMD 3030 2D, reported TM-21 I70 lifetime 54,000 hours, within 5 steps MacAdam Ellipse;
- High efficacy up to 130LM/W for the whole lamp;
- More than 50,000 hours lifetime with 5 years warranty.
- IP65
- Power Factor >0.95
- CRI>80
- Input Voltage 200-277VAC
- Working Temperature -20°C ~ +40°C (Optional Max +55°)



MODEL	POWER	LUMEN OUTPUT	CCT	BEAM ANGLE	LED DRIVER
EAS-HBL90-FWHBU	120W	15000LM	3000K	60° 90° 110°	MEANWELL SOSEN
	150W	18750LM	4000K		
	200W	25000LM	5000K		
		5700K			
		6500K			

LED UFO HIGHBAY LIGHT

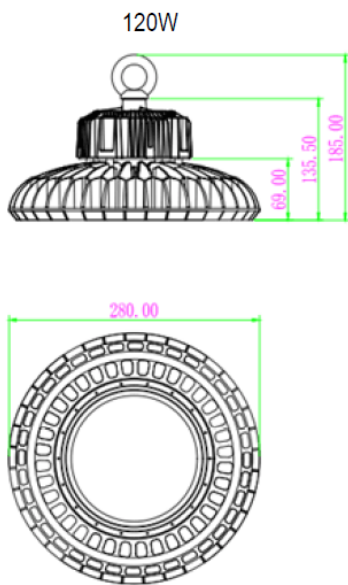


EAS-HBL90-FWHBU

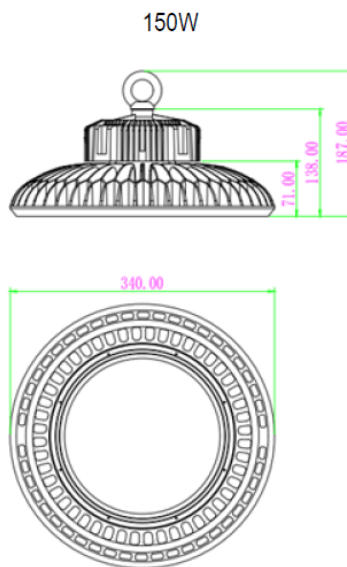
Technical Details



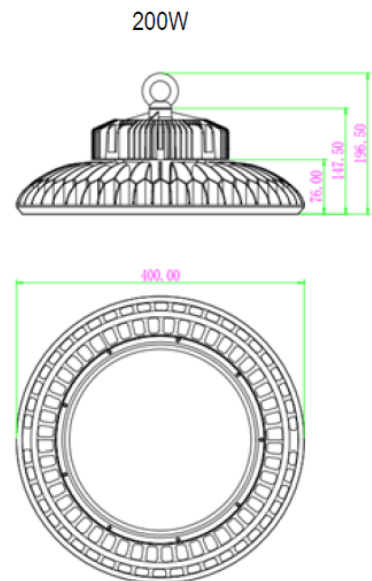
Dimension & Package



- 1. Carton Size: 38X38X20 CM
- 2. Qty./Ctn: 1 PCS
- 3. 4.1KG/Carton



- 1. Carton Size: 38X38X20 CM
- 2. Qty./Ctn: 1 PCS
- 3. 4.1KG/Carton



- 1. Carton Size: 45X45X22 CM
- 2. Qty./Ctn: 1 PCS
- 3. 5.75KG/Carton

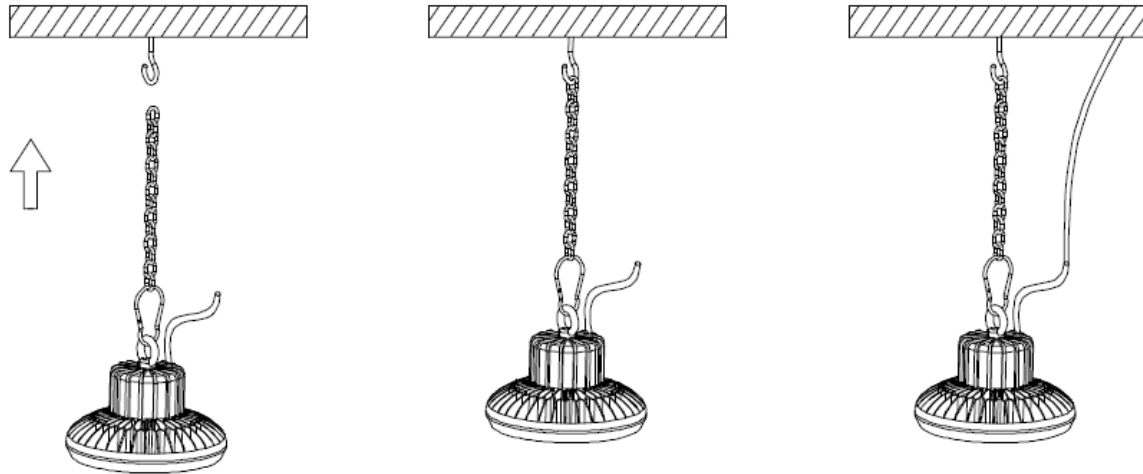
LED UFO HIGHBAY LIGHT



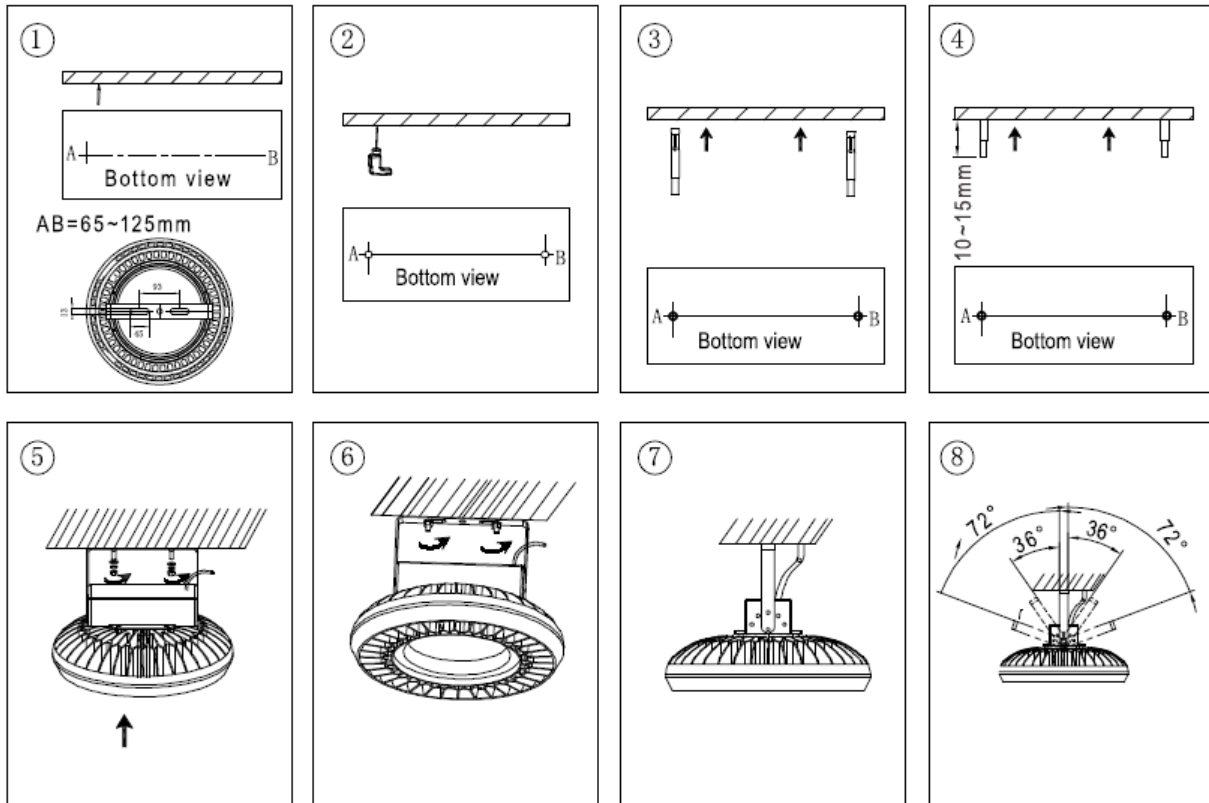
EAS-HBL90-FWHBU

Installation

Option 1 :



Option 2 :



LED UFO HIGHBAY LIGHT

EAS-HBL90-FWHBU

Accessories:(upon request)



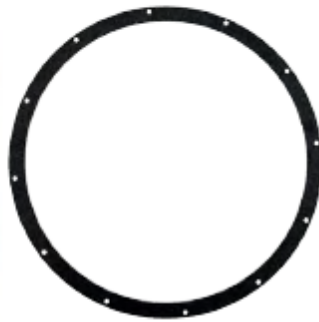
• Adjustable Surface Mounting Bracket



• Suspending Chain



• 110° Glass Lens



• 60°/90° PC Lens

Application



LED FLOOD LIGHT

EAS-FL90-FWFL5

Technical Details

- 5 years guaranteed optional driver with power factor 0.95 and efficiency up to 94%;
- LM80 approved Lumileds SMD 3030 2D
- with reported TM-21 L70 lifetime >54,000 hours and within 5 steps MacAdam Ellipse;
- Extra-large size of PCB to have further distance between leds and spread the heat faster;
- Pretty looking thanks to ultra-slim design;
- Tempered glass cover to avoid damage during transportation and operation.
- Working Temperature -20°C ~ +50°C (Optional Max +55°C)
- Input Voltage 100-277VAC
- Beam Angle 120°
- IP65



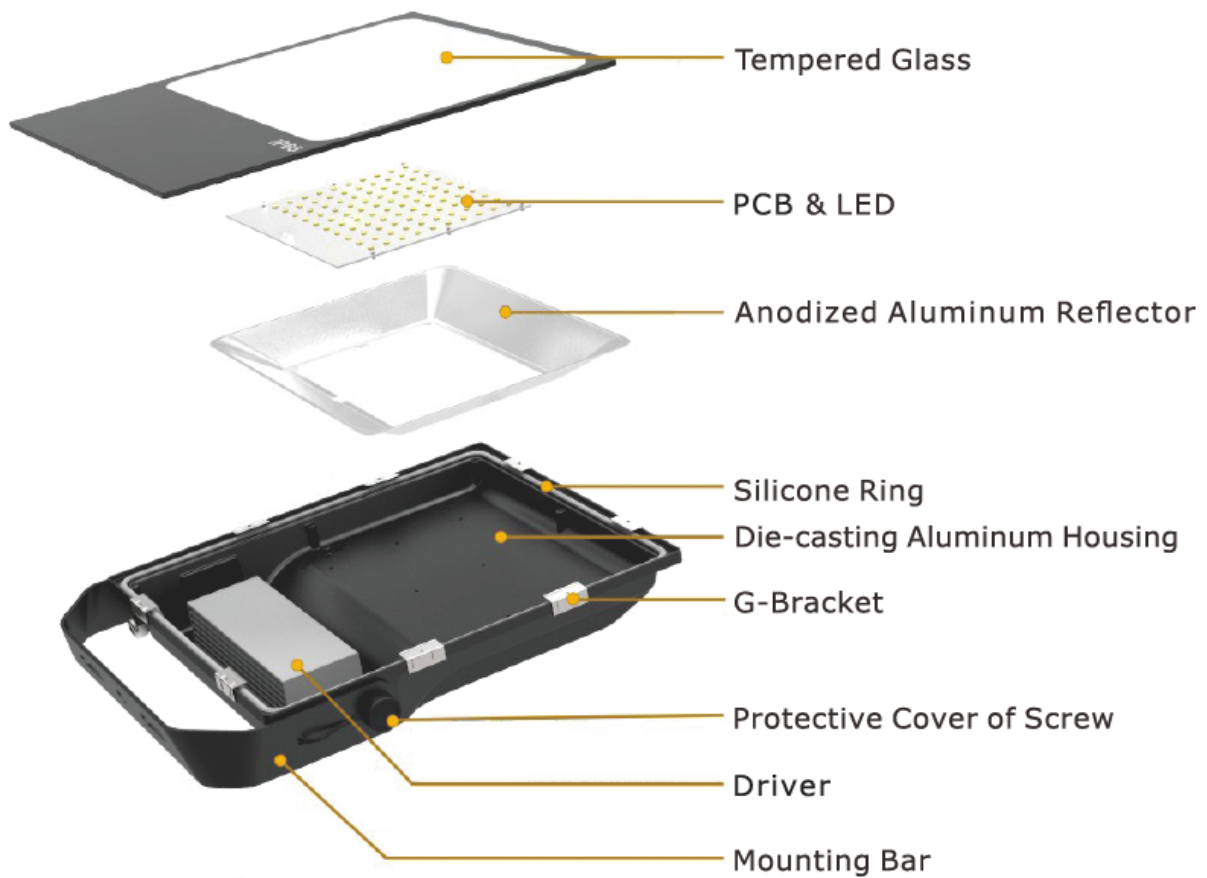
MODEL	POWER	LUMEN OUTPUT	CCT	LED DRIVER WATTAGE	LED DRIVER
EAS-FL90-FWL5	10W	1230LM	3000K 4000K 5000K 5700K 6500K	10W	MEANWELL SOSEN LIFUD
	20W	2540LM		20W	
	30W	3810LM		30W	
	50W	6400LM		70W	
	70W	9170LM		100W	
	100W	13500LM		120W	
	150W	20250LM		200W	
	200W	2700LM		250W	

LED FLOOD LIGHT



EAS-FL90-FWFL5

Technical Details



Protection grade reaches IP65



Anti-Level-17 hurricane



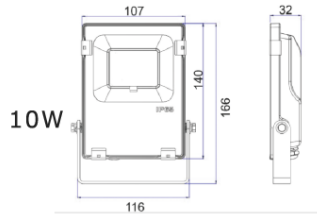
Adjustable 270° Angle

LED FLOOD LIGHT

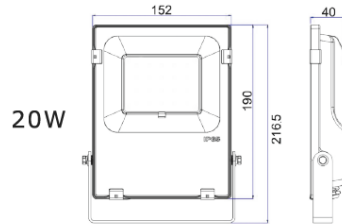


EAS-FL90-FWFL5

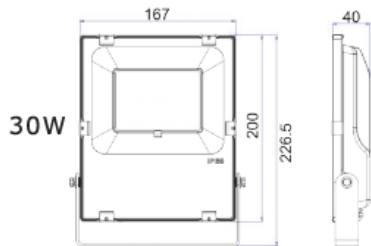
Dimension & Package



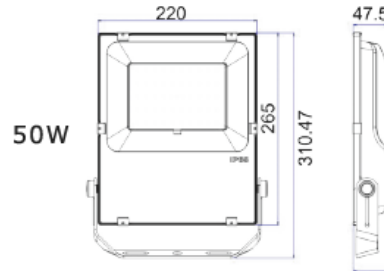
1. Carton Size: 42.5×41.5×25.5(cm)
2. Qty/Ctn: 36PCS
3. 33.05KG/Carton



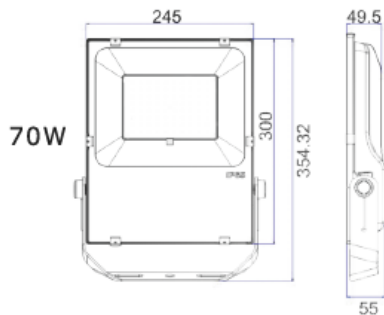
1. Carton Size: 51.5×38×26(cm)
2. Qty/Ctn: 20PCS
3. 28.65KG/Carton



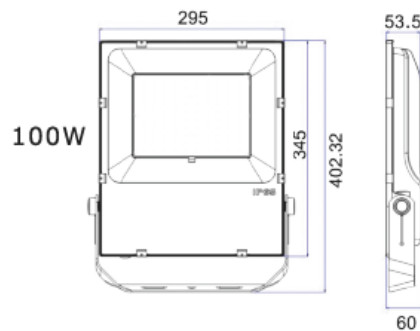
1. Carton Size: 53.5×40.5×26(cm)
2. Qty/Ctn: 20PCS
3. 33.85KG/Carton



1. Carton Size: 53×36.5×25.5(cm)
2. Qty/Ctn: 8PCS
3. 23.9KG/Carton



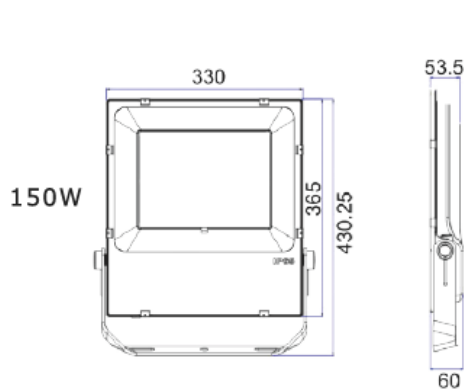
1. Carton Size: 43.5×34×13(cm)
2. Qty/Ctn: 1PCS
3. 3.8KG/Carton



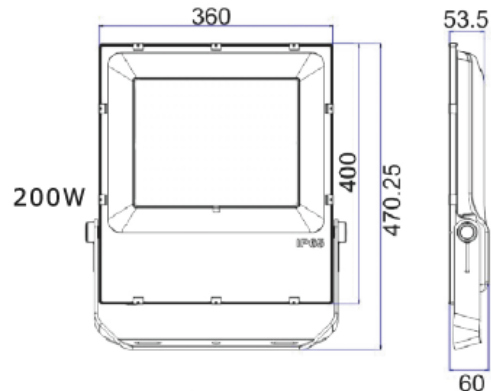
1. Carton Size: 51×43×13.5(cm)
2. Qty/Ctn: 1PCS
3. 5.6KG/Carton

LED FLOOD LIGHT

EAS-FL90-FWFL5



- 1. Carton Size: 51×43×13.5(cm)
- 2. Qty/Ctn: 1PCS
- 3. 7.4KG/Carton



- 1. Carton Size: 55.5×46×13.5(cm)
- 2. Qty/Ctn: 1PCS
- 3. 10.3KG/Carton

Application

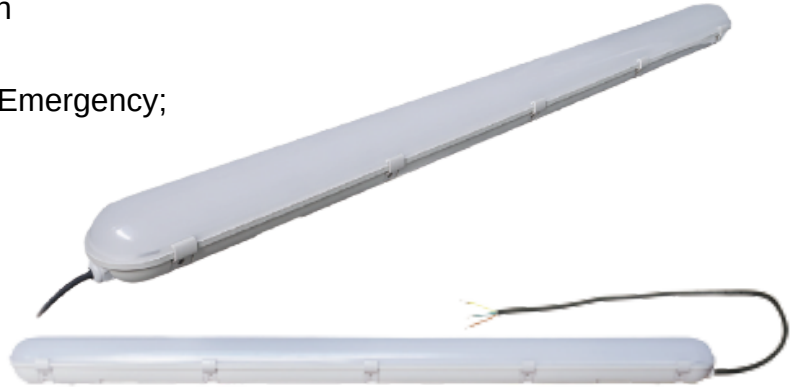


LED TRI-PROOF LIGHT

EAS-TRI90-FTP1X SERIES

Technical Details

- PC Base +PC Cover +PC clips(with screws)/Stainless steel clips;
- DALI, 1~10V Dim, Motion Sensor, Emergency;
- Lumen Efficacy upto 130LM/W;
- 5 Years Warranty.
- LED Brand HONGLI
- LED Lifud/Meanwell Driver
- Beam Angle 120°
- CRI 80+
- MacAdam Ellipse Within 3 Steps
- Power Factor >0.95
- Working Temperature -20°C ~ +40°C
- 50,000 Hours
- IP65



MODEL	POWER	LUMEN OUTPUT	CCT	DIMENSION	LED QUANTITIES
EAS-TRI90-FTP1X18	10W	1300LM	3000K	L620xW100 xH75mm	60pcs
	20W	2600LM	4000K		120pcs
	30W	3900LM	5000K		168pcs
			5700K		
			6500K		
EAS-TRI90-FTP1X36	20W	2600LM	3000K	L1220xW100 xH75mm	120pcs
	30W	3900LM	4000K		168pcs
	40W	5200LM	5000K		240pcs
	50W	6500LM	5700K		312pcs
			6500K		
EAS-TRI90-FTP1X58	30W	3900LM	3000K	L1520xW100 xH75mm	168pcs
	50W	6500LM	4000K		312pcs
	60W	7800LM	5000K		364pcs
			5700K		
			6500K		

LED TRI-PROOF LIGHT



EAS-TRI90-FTP1X SERIES



• Connection

Option A: With 0.75m Cord



0.75m H05RN-F 3X1.0mm²

Option B: With Plug & Play Connectors



Option C: With cable gland only

• Options

Motion & Daylight Sensor Technical Data

Operating voltage	220~240Vac, 50Hz/60Hz
Rated capacitive load	800W(inductive),1200(resistive)
Power consumption	≤ 0.5W(standby), <1W(operation)
Detection zone	Max.(D x H): 16m x 15m
Detection sensitivity	10% / 50% / 75% / 100%
Hold time	5s / 30s / 90s / 3min / 20min / +∞
Stand-by dimming level	10% / 20% / 30% / 50%
Mounting height	15m Max.
Daylight sensor	2lux/5lux/10lux/25lux/50lux/100lux/Disable
Stand-by period	0s / 5s / 5min / 10min / 30min / 1h / Disable
Motion detection	0.5~3m/s
Detection angle	150°(wall installation), 360°(ceiling installation)

Emergency

Input voltage	220~240Vac
Input frequency	50-60Hz
Emergency time	1.5 h/3h
Emergency power	12W/5W
Battery specification	18650Li-ion 12V/2.5A
Emergency switching time	< 1 second
Charging time	< 12h

LED CORROSIVE LINEAR LIGHT



EAS-HL90-FWHE SERIES

Technical Details

- IK10, IP69K;
- Ready for High Temperature and High Pressure Wash-down;
- Resistance to : Ammonia 5%, Carbonic Acid, Food Oils, Fats;
- Suitable for High Ambient Temperature Applications.
- Beam Angle 110°
- CRI 80+
- MacAdam Ellipse 5 Steps
- Input Voltage 200-240VAC
- Power >0.95
- Lifespan 50,000 Hours
- Working Temperature -40°C ~ +50°C (Optional +Max 55°C)



MODEL	POWER	LUMEN OUTPUT	CCT	DIMENSION	LED QUANTITIES
EAS-HL90-FWHE12	40W	4400LM	3000K	L1190xW96x xH78mm	60pcs
	60W	6600LM	4000K		120pcs
	80W	8800LM	5000K		168pcs
			5700K		
			6500K		
EAS-HL90-FWHE15	60W	6600LM	3000K	L1490xW96 xH78mm	120pcs
	80W	8800LM	4000K		168pcs
	100W	11000LM	5000K		240pcs
			5700K		312pcs
			6500K		

LED CORROSIVE LINEAR LIGHT



EAS-HL90-FWHE SERIES

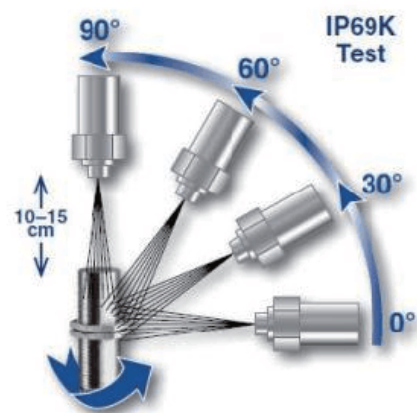
Applications	Hazardous Chemical Agents	Polycarbonate Base or Cover	Aluminum Base	Suggested Cover
Livestock & Poultry Stables	Ammonia 5%	Non-Resistant	Resistant	Glass
Food Processing Factory	Food Oils	Non-Resistant	Resistant	PMMA (Arcylic)
	Fats	Non-Resistant	Resistant	
Beverage Processing Factory	Carbonic Acid	Non-Resistant	Resistant	PMMA (Arcylic)
Tableware Cleaning	Food Oils	Non-Resistant	Resistant	PMMA (Arcylic)
Car Wash Truck Wash	Petrol	Non-Resistant	Resistant	Glass
	Detergent Liquid	Relatively Resistant	Resistant	
Chemical Plants	Acetone	Non-Resistant	Resistant	Glass
	Ethyl Ether			
	Methanol			
	Phenol			
	Benzene			

Applications	Hazardous Chemical Agents	Suggested Base	Suggested Cover	Mounting Clips and Screws
Seaside Buldings	Salt Air	99% Purity Aluminum	Glass	SUS316
Tunnel	Vehicle Exhaust	99% Purity Aluminum	Glass	SUS316

What is IP69K?

The IP69K rating is for applications where high temperature and high pressure wash-down is used to clean and sanitize equipment. The rating was established in 1993 as an extension to the IEC 60529 standard which was initially developed for road vehicles that required intensive cleaning such as dump trucks and cement mixers. The Food and Beverage industries have adopted the IP69K rating as a durability test for products which are subjected to the daily sanitation process. The "6" applies to external protection from dust. The "9" signifies protection from close range high-pressure spray-downs and the "K" applies to the high-temperature of the water used during the spray-downs.

The IP69K test requires the water pressure to be between 80 and 100 bar, at a rate of approximately between 14 and 16 liters per minute at a temperature of 80 celsius degree. The nozzle from which the water is sprayed is between 10 and 15 centimeters from the product. The spray is applied at angles of 0°, 30°, 60° and 90° for 30 seconds for each angle while the product is rotated at 5 times per minute.

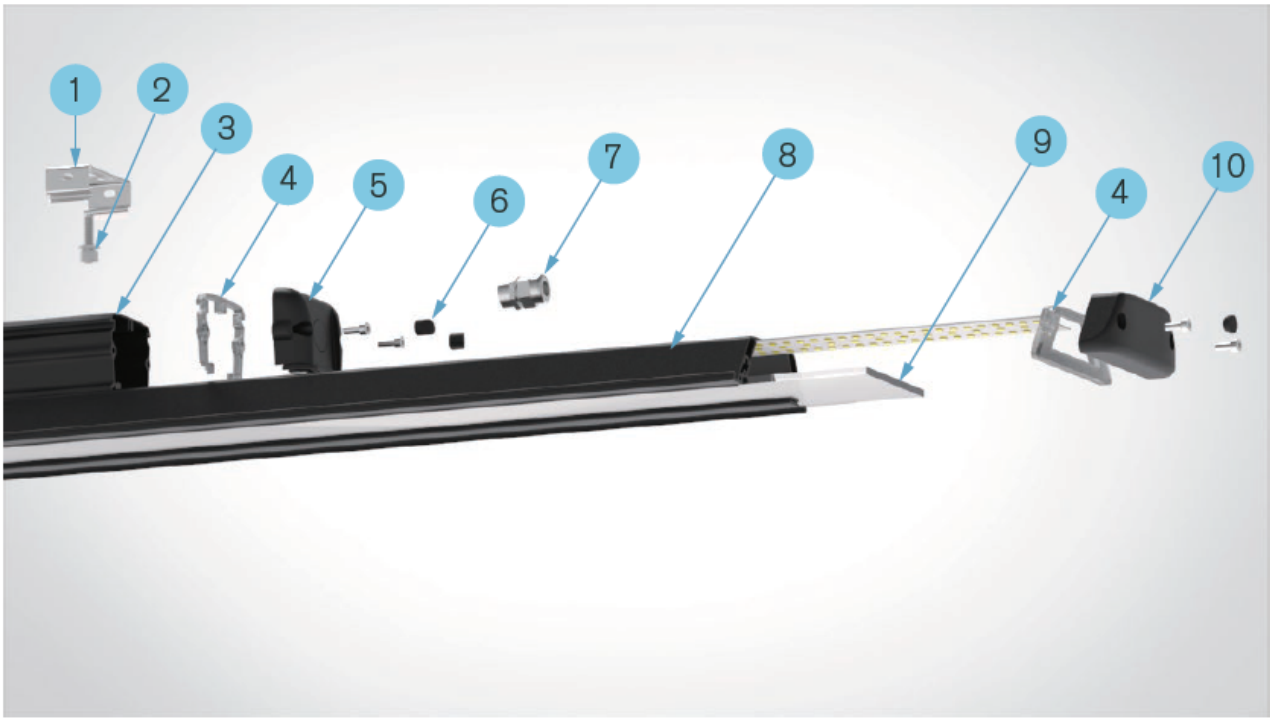


LED CORROSIVE LINEAR LIGHT



EAS-HL90-FWHE SERIES

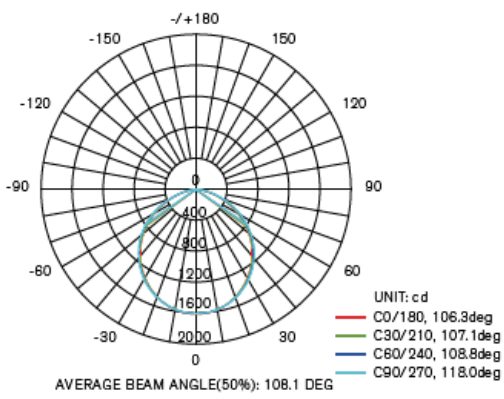
Structure



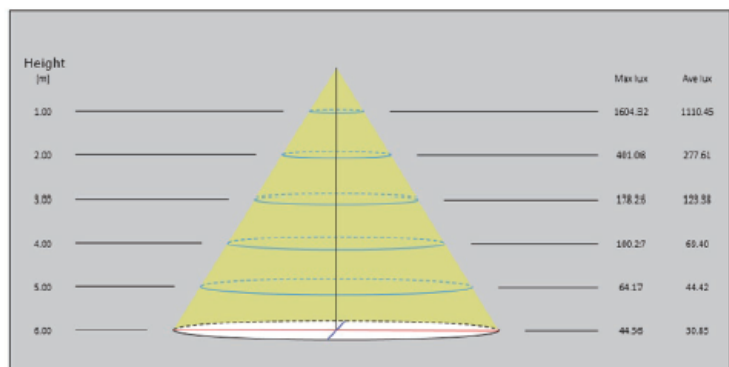
COMPONENTS | COMPONENTES

N°	COMPONENTS	MATERIAL	N°	COMPONENTS	MATERIAL
1	Mounting Clips	SUS316	6	Waterproof Plug	Silicone
2	Mounting Screws	SUS316	7	Cable Gland	SUS316
3	Driver Box	99% Purity Aluminum	8	Heat Sink	99% Purity Aluminum
4	Waterproof Gasket	Silicone	9	Front Cover	4mm Tempered Glass 4mm PMMA (Acrylic)
5	Driver Box End Cap	97% Purity Aluminum	10	Heat Sink End Cap	97% Purity Aluminum

Optical Parameters



EAS-HL90-FWHE12 Standard Version



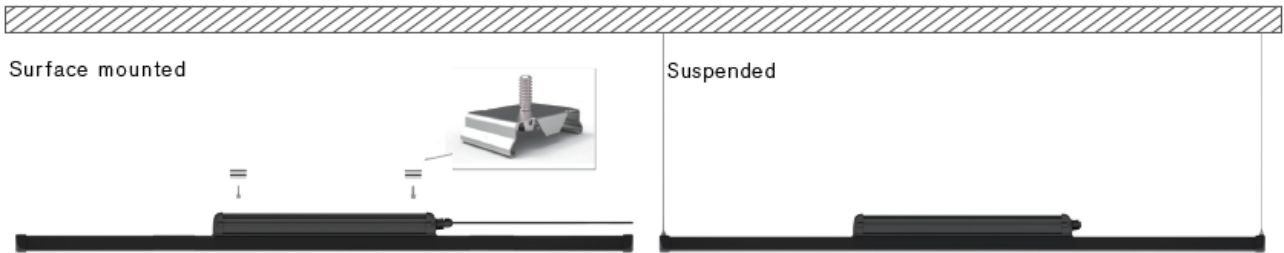
EAS-HL90-FWHE12 Standard Version

LED CORROSIVE LINEAR LIGHT

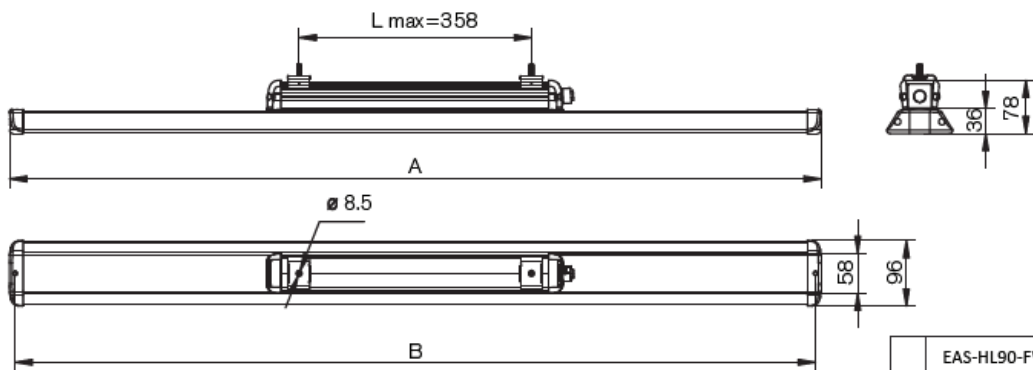


EAS-HL90-FWHE SERIES

Installation



Dimension (mm)



	EAS-HL90-FWHE12	EAS-HL90-FWHE15
A	1190	1490
B	1174	1474

LED STREET LIGHT

EAS-STL90-FWSTL

Technical Details

- Special designed for fast and easy installation;
- Full range of mounting brackets;
- Distribution Types: Type III, Type IV, Type V;
- Meanwell and SOSEN driver for 5 years warranty;
- 100-277Vac and 200-480Vac available;
- 1-10v dimmable, Photocell, Surge Protective available;
- Lumeleds 3030
- Beam Angle Type III. Type IV. Type IV
- CRI >70
- Mac Adam Ellipse 6 Steps
- Power Factor >0.95
- Life Span 50,000 Hours
- Working Temperature -30°C ~ +50°C (Optional Max +55°C)
- IP65



MODEL	POWER	LUMEN OUTPUT	CCT	DIMENSION
EAS-STL90-FWSTL	100W	14000LM	3000K	L311xW310xH84mm
	200W	28000LM	4000K	L438xW310xH84mm
	300W	42000LM	5000K	L586xW320xH84mm
			5700K	
			6500K	

LED STREET LIGHT



EAS-STL90-FWSTL

Pictures for Bracket



Pole Arm Bracket



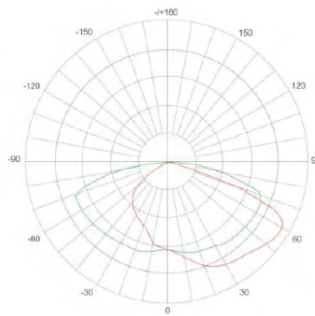
Trunnion bracket



Slip Fitter bracket

Lens for Application

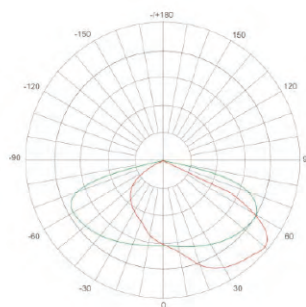
TYPE III



Application

- 1. Two Driveway
- 2, Driveway Entrance
- 3. Urban Main Roads

TYPE IV



Application

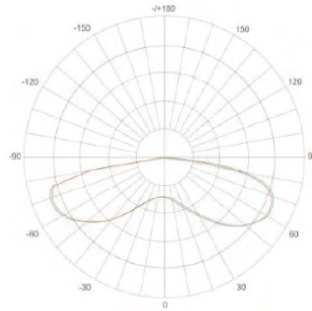
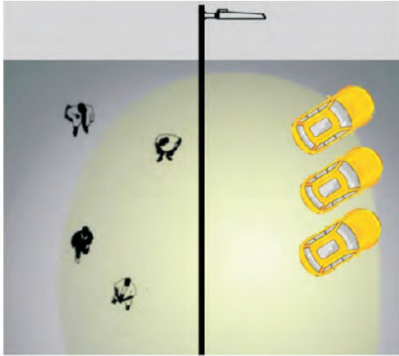
- 1. Three Driveway
- 2, Highway
- 3. Parking Lot/Area

LED STREET LIGHT



EAS-STL90-FWSTL

TYPE V

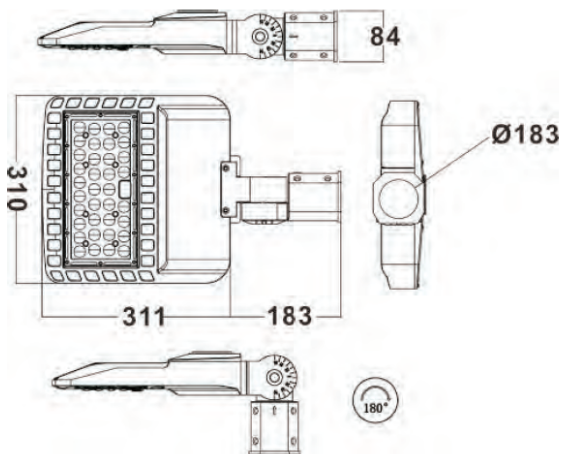


Application

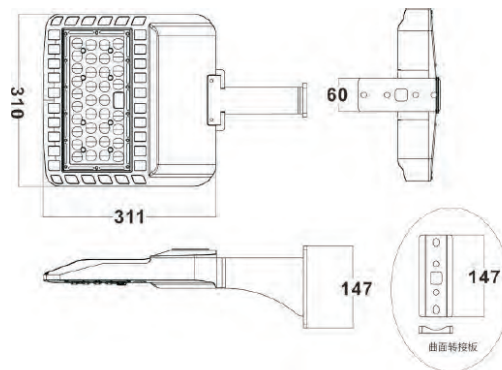
- 1. Parking lot
- 2. Square
- 3. Area

Dimension & Package-100W

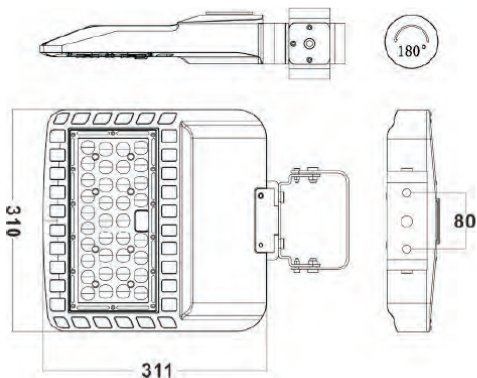
Dimension for Slip Fitter



Dimension for Pole Arm



Dimension for Trunnion



Package

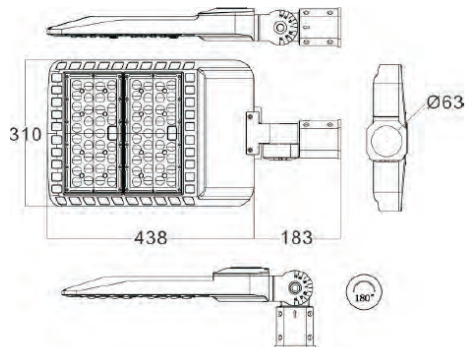
Carton Size: 515x360x160mm
Gross Weight: 5.5Kg
Qty/Ctn: 1pcs/Ctn
Package for Slip Fitter

LED STREET LIGHT

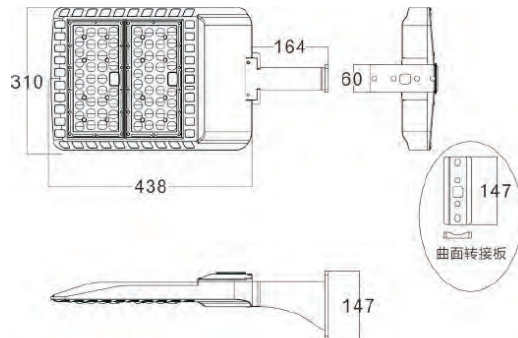
EAS-STL90-FWSTL

Dimension & Package-200W

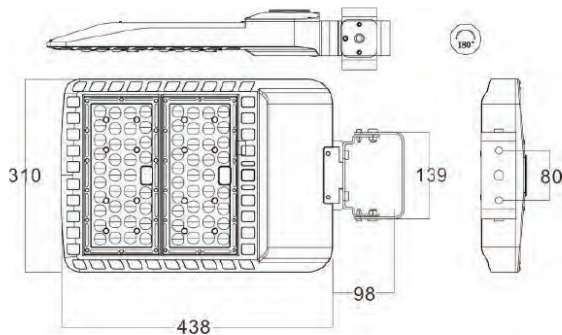
Dimension for Slip Fitter



Dimension for Pole Arm



Dimension for Trunnion

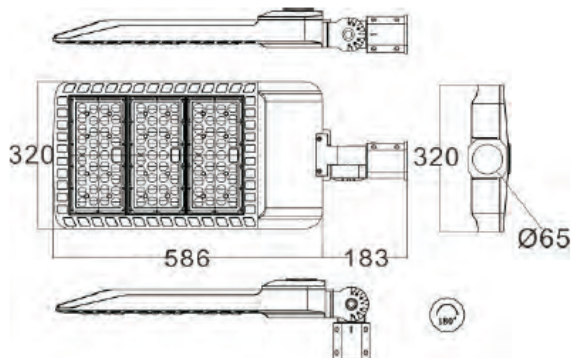


Package

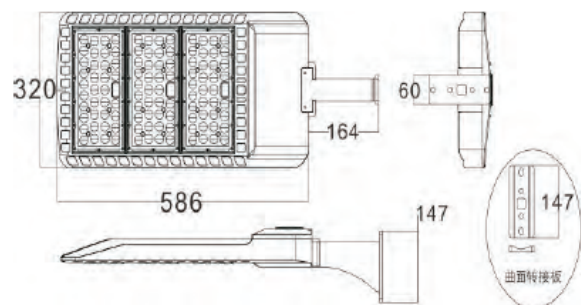
Carton Size: 372x376x168mm
 Gross Weight: 7.5Kg
 Qty/Ctn: 1pcs/Ctn
 Package for Slip Fitter

Dimension & Package-300W

Dimension for Slip Fitter



Dimension for Pole Arm

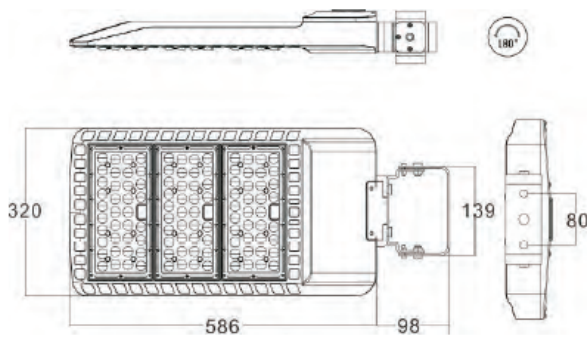


LED STREET LIGHT



EAS-STL90-FWSTL

Dimension for Trunnion



Package

Carton Size: 800x376x168mm
Gross Weight: 9Kg
Qty/Ctn: 1pcs/Ctn
Package for Slip fitter

LED STREET LIGHT



EAS-STL69-FHTC SERIES

Technical Details

- Streamline structure design, better heat dissipation, low wind resistance
- Surface electrostatic spraying, high thermal conductivity, corrosion resistance
- Aluminum alloy, integrated molding, better heat efficiency
- Light transmittance >90%
- Easy to install and disassemble
- Angle regulator accessory (Selectable)
- Replaceable light sensor (Selectable)
- Die-casting aluminum
- Power factor >0.96
- Beam angle 140°, CRI >75
- IP67, IK10

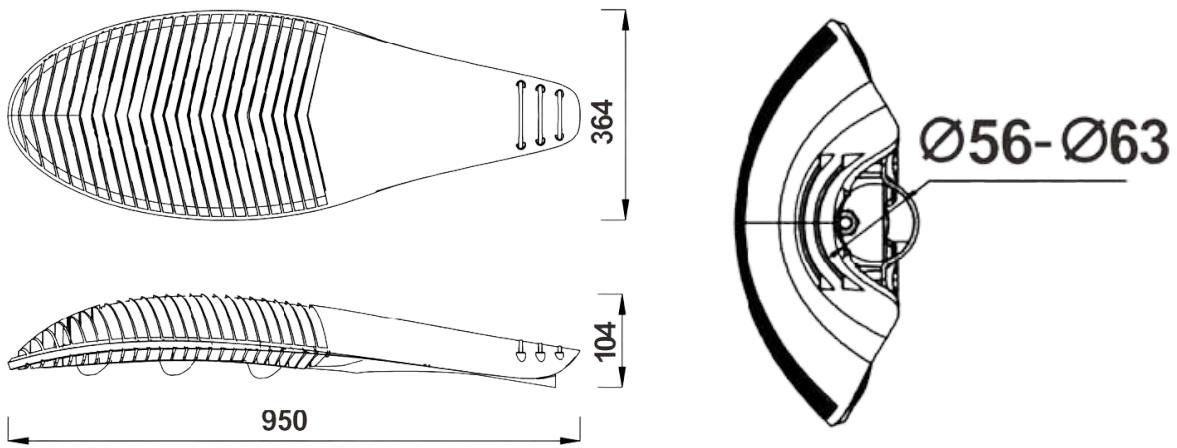


MODEL	POWER	LUMEN OUTPUT	CCT	DIMENSION
EAS-STL69-FHTC01	150W 180W 200W	110LM/W	3000K ~ 6500K	L950xW364 xH104mm
EAS-STL69-FHTC02	100W 120W	110LM/W	3000K ~ 6500K	L800xW291 xH132mm
EAS-STL69-FHTC03	60W 80W	110LM/W	3000K ~ 6500K	L650xW236 xH117mm
EAS-STL69-FHTC04	30W 50W 60W	110LM/W	3000K ~ 6500K	L600xW235 xH115mm

LED STREET LIGHT

EAS-STL69-FHTC SERIES

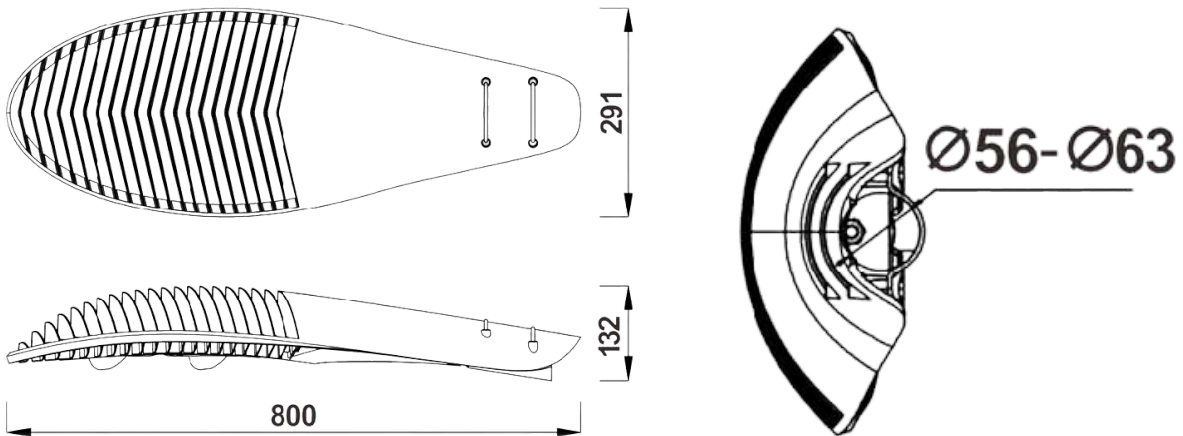
- EAS-STL69-FHTC01



LED STREET LIGHT

EAS-STL69-FHTC SERIES

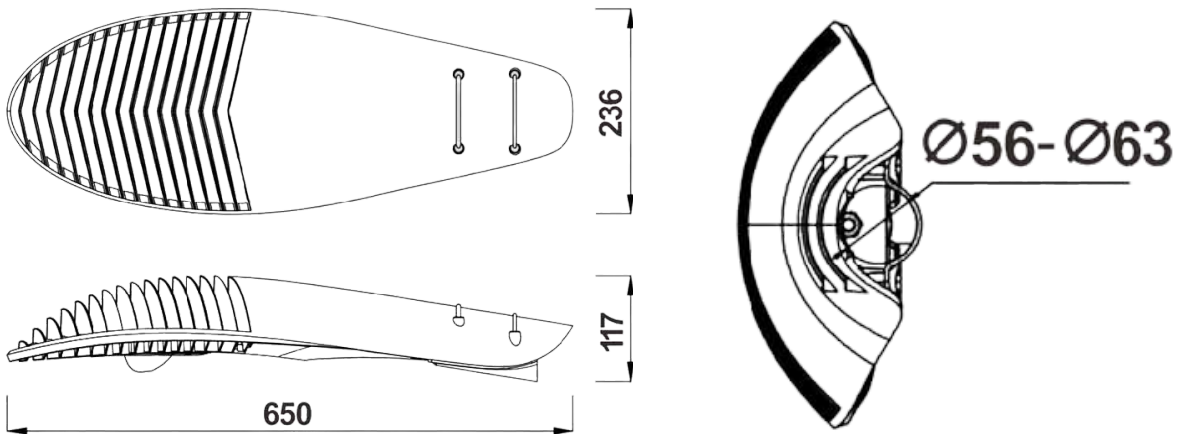
- EAS-STL69-FHTC02



LED STREET LIGHT

EAS-STL69-FHTC SERIES

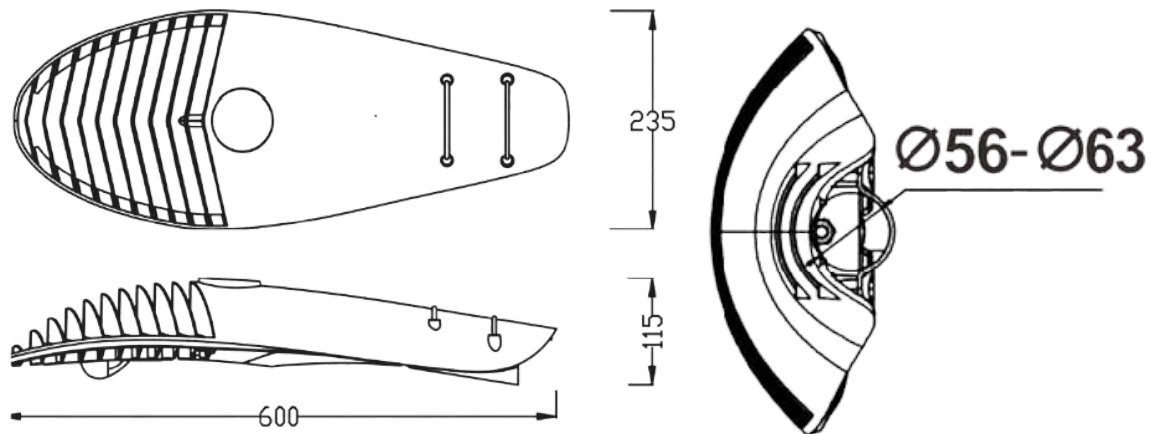
- EAS-STL69-FHTC03



LED STREET LIGHT

EAS-STL69-FHTC SERIES

- EAS-STL69-FHTC04

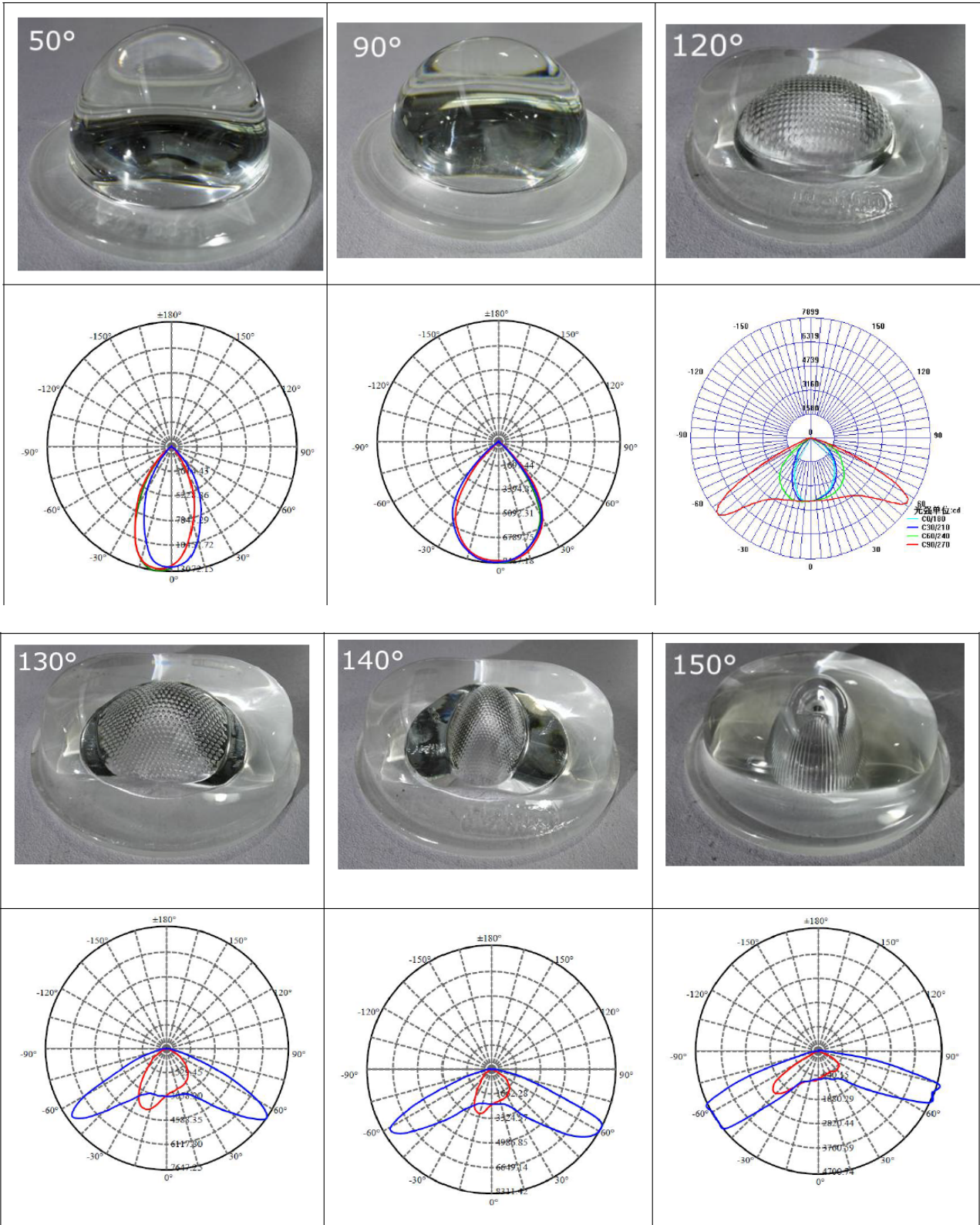


LED STREET LIGHT



EAS-STL69-FHTC SERIES

Lens Option And Light Distribution Curve



LED STREET LIGHT

EAS-STL69-FHTC SERIES

Adaptors, More Installation Degree Options



Light Sensor(Photocell) options, more energy saving



LED EXPLOSION PROOF LIGHT

EAS-EXPL169-RANGER SERIES

Technical Details

- Best-in-class system efficacy up to 137LM/W
- Charge time 24Hours, Emergency run time 90mins, Rated load 12W in emergency mode
- Wide ambient temperate range from 0°C to 50°C
- Safe and reliable heat transfer - Offering a T-rating of T4(CID2) / T6(CIID1)
- Shock and vibration resistant
- Durable LEDs with solder less board connection
- Copper-free aluminum body and corrosion resistant
- Stainless Steel 316
- UV stable and impact resistant clear or diffused PC lens
- Dark Grey RAL7037 Color finish
- Beam Angle 110°
- CRI >Ra70
- Power Factor >0.95
- IP66 / IK08 / 5G Vibration / 1000Hours salt spray



Compliance

NEC/CEC Standard

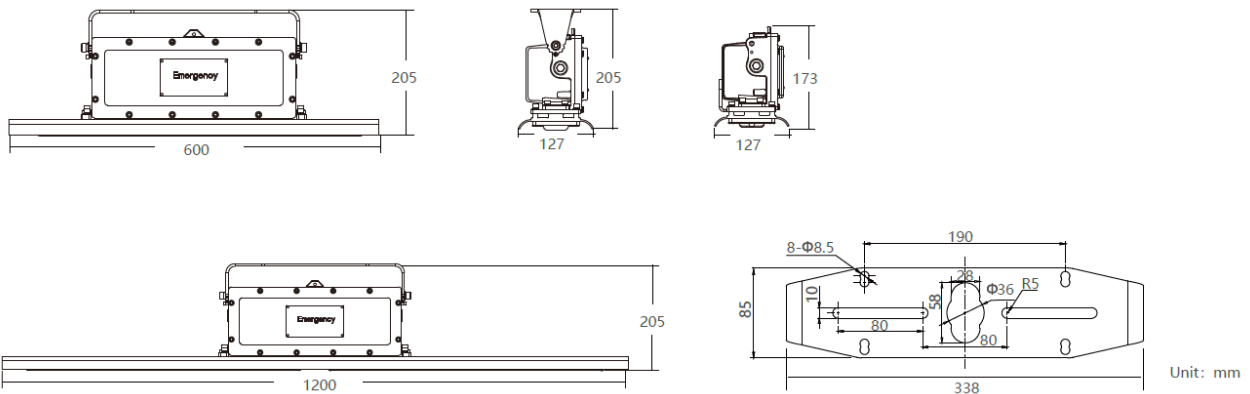
UL 844
 Class I Division 2, Group A, B, C, D
 Class II Division 1, Group E, F, G
 Class III, Division 1
 Class I, Zone 2, Group IIC
 Zone 21, Group IIIC
 UL924
 CSA C22.2 No.137
 CSA C22.2 No.141-15

MODEL	POWER	LUMEN OUTPUT	CCT	DIMENSION
EAS-EXPL169-RANGER	40W 80W	5480LM	3000K ~ 6500K	L600xW235 xH115mm

LED EXPLOSION PROOF LIGHT

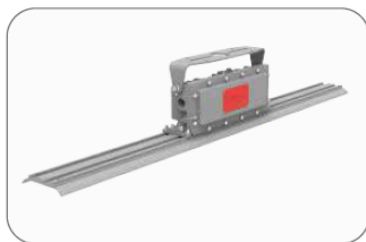
EAS-EXPL169-RANGER SERIES

Product Dimensions

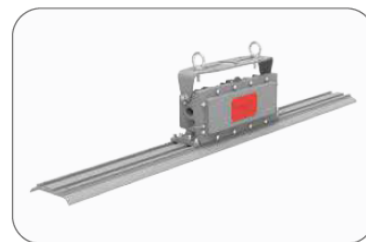


Model	Net weight	Dimensions (L×W×H)	Gross weight	Dimensions (L×W×H)
EAS-EXPL169-RANGER-40W	7.5KG / 16.5 lbs	600×127×205 mm 23.6×5.0×8.1in	8.5KG / 18.7 lbs	675×180×230 mm 26.6×7.1×9.1in
EAS-EXPL169-RANGER-80W	8.3KG / 18.3 lbs	1200×127×205 mm 47.2×5.0×8.1in	10.3KG / 22.7 lbs	1275×180×230 mm 50.2×7.1×9.1in

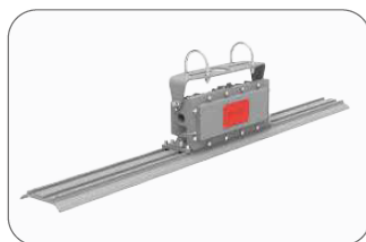
Mounting Options



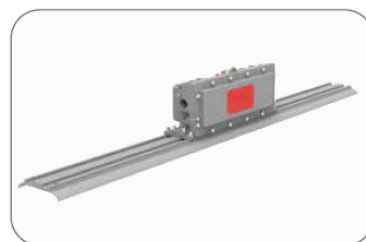
Ceiling&Wall



Hanging Mount



Stanchion



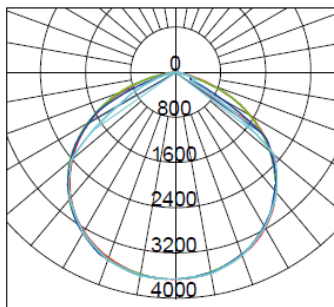
Pendant

LED EXPLOSION PROOF LIGHT

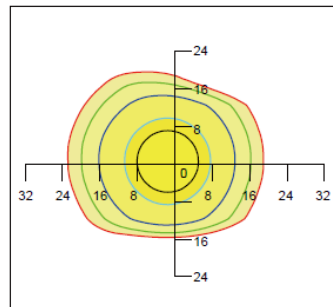
EAS-EXPL169-RANGER SERIES

Photometric

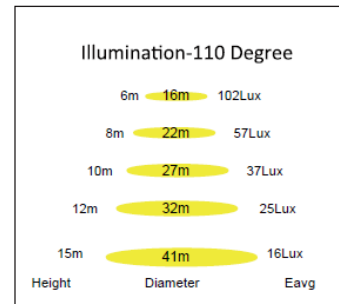
110 Degree



- C0/180,115.0
- C30/210,115.0
- C60/240,114.0
- C90/270,107.0



Mounting Height 33'(10m), 0 Tilt



Flux out: 7550 lm

Mounting Accessories



UB02
Ceiling/Wall mount
Stainless steel U-Bracket



HK04
Hanging Mount-B
Hanging Ring
M10 Eyebolt SUS316



PC01/PC02
Stanchion mount
Pipe clamp



LS06
Glare Shield
Stainless Steel SUS304



SC02
Stainless Steel
Safety Cable kit

INSTALLATION TIPS

1. Termination

4x WAGO 5-conductor for L, N, G connection
Conductor range: 0,2 ... 4 mm² / 24 ... 12 AWG
Rated voltage UL: 600 V
Rated current UL: 20A

2. Cable Entries

3/4" NPT (Top x1 & Side x2)
Side x1 open, Top & Side with stopping plugs

3. Dimming

Unavailable

LED EXPLOSION PROOF LIGHT



EAS-EXPL169-RANGER SERIES

Class I Locations

Class I locations are those in which inflammable gases or vapors are or may be present in sufficient quantities to produce explosive or flammable mixtures.

CLASS I, DIVISION 1

Class I, Division 1 locations are where hazardous atmosphere may be present during normal operations. It may be present continuously, intermittently, periodically or during normal repair or maintenance operations, or those areas where a breakdown in processing equipment releases hazardous vapors with the simultaneous failure of electrical equipment.

CLASS I, DIVISION 2

Class I, Division 2 locations are those in which volatile flammable liquids or gases are handled, processed or used. Normally they will be confined within closed containers or in closed systems from which they can escape only in the case of rupture or deterioration of the containers or systems.

Class II Locations

Class II locations are those that are hazardous because of the presence of combustible dust.

CLASS II, DIVISION 1

Class II, Division 1 locations include areas where combustible dust may be in suspension in the air under normal conditions in sufficient quantities to produce explosive or ignitable mixtures (Dust may be emitted into the air continuously, intermittently or periodically), or where failure or malfunction of equipment might cause a hazardous location to exist and provide an ignition source with the simultaneous failure of electrical equipment, included also are locations in which combustible dust of an electrically conductive nature may be present.

CLASS II, DIVISION 2

Class II, Division 2 locations are those in which combustible dust will not normally be in suspension nor will normal operations put dust in suspension, but where accumulation of dust may interfere with heat dissipation from electrical equipment or where accumulations near electrical equipment may be ignited.

Class III Locations

Class III locations are those considered hazardous due to the presence of easily ignitable fibers of flyings, which are in quantities sufficient to produce ignitable mixtures.

CLASS III, DIVISION 1

Locations in which easily ignitable fibers or materials producing combustible flyings are handled, manufactured or used.

CLASS III, DIVISION 2

Locations where easily ignitable fibers are stored or handled.



CONTACT US

www.easi-me.com

info@easi-me.com

+971 4 333 8814