



LED TRACK LIGHTING

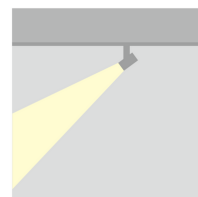
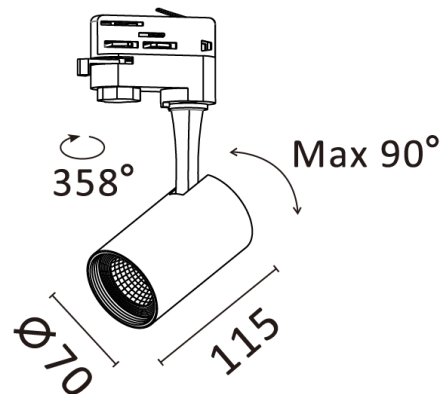
Product Catalogue 2022-2023

LED TRACK LIGHT

EAS-TRK146-JT6017

Technical Details

- Housing: Aluminum alloy.
- The driver is built In the light body without track box which be with the track base compartment secure to the adaptor and installation on main voltage 3-circuits track system.
- Spot light adjustable 358° rotating around the vertical axis and 90° rotating around the horizontal axis.
- Light source: COB LED with a high efficiency reflector of optical.
- UGR<14.
- CRI: >80
- IP Rate: IP20



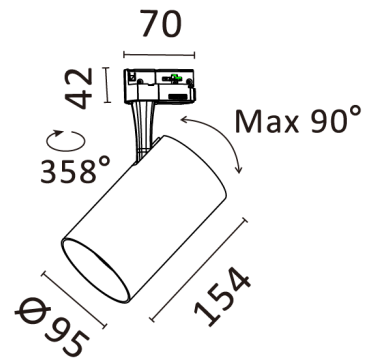
POWER	CCT	LUMEN OUTPUT	BEAM ANGLE	COLOUR FINISH	CONTROL GEAR (LED DRIVER)
10W 15W	2700K 3000K 4000K	1040LM 1350LM	15° 24° 36° 60°	White Silver Black	Non Dimmable

LED TRACK LIGHT

EAS-TRK146-JT6090

Technical Details

- Housing: Cast aluminum.
- The driver is built In the light body without track box which be with the track base compartment secure to the adaptor and installation on main voltage 3-circuits track system.
- Spot light adjustable 358° rotating around the vertical axis and 90° rotating around the horizontal axis.
- Anti-dazzle ring: Black
- Light source: COB LED with a lens of capital
- UGR<14.
- CRI: >80
- IP Rate: IP20



Optical Accessories



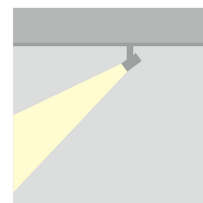
Honey comb



Frosted diffuser



Transparent foil



COB LED

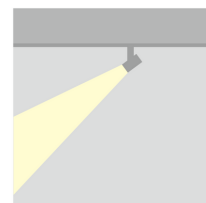
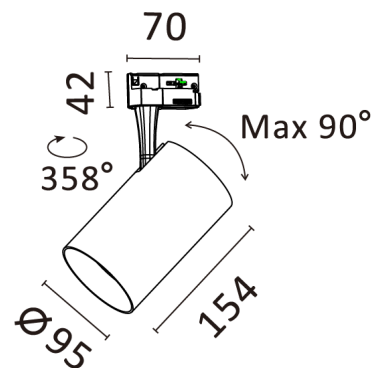
POWER	CCT	LUMEN OUTPUT	BEAM ANGLE	COLOUR FINISH	CONTROL GEAR (LED DRIVER)
20W	2700K	1990LM	12°	White Silver Black	Non Dimmable
25W	3000K	2350LM	24°		
30W	4000K	2800LM	36°		

LED TRACK LIGHT

EAS-TRK146-JT6089

Technical Details

- Housing: Cast aluminum.
- Adjustable spot light, the driver is built in the light body, with the track based compartment secure to the adaptor and installation on main voltage 3-circuit track system
- Spot light adjustable 358° rotating around the vertical axis and 90° rotating around the horizontal axis.
- Anti-dazzle ring: Black
- Light source: COB LED with a lens of capital
- Stepless zoomable beam angle from 15° to 50°
- UGR<14.
- CRI: >80
- IP Rate: IP20



COB LED

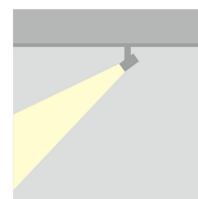
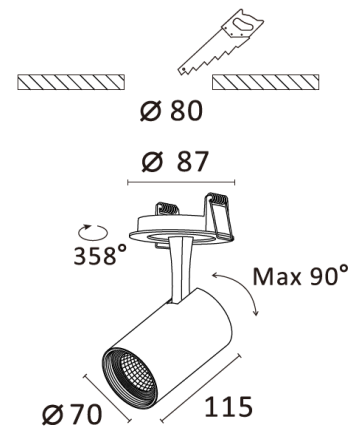
POWER	CCT	LUMEN OUTPUT	BEAM ANGLE	COLOUR FINISH	CONTROL GEAR (LED DRIVER)
20W 25W 30W	2700K 3000K 4000K	1770LM 2080LM 2950LM	15° 50°	White Silver Black	Non Dimmable

LED TRACK LIGHT

EAS-TRK146-JR6250

Technical Details

- Housing: Aluminum alloy.
- Spot light adjustable 358° rotating around the vertical axis and 90° rotating around the horizontal axis.
- Anti-dazzle ring: PC aluminum.
- Light spot pipe is available, which could make the light more soft and more perfect.
- Light source: COB LED with a high efficiency reflector of optical
- UGR<14.
- CRI: >80
- IP Rate: IP20



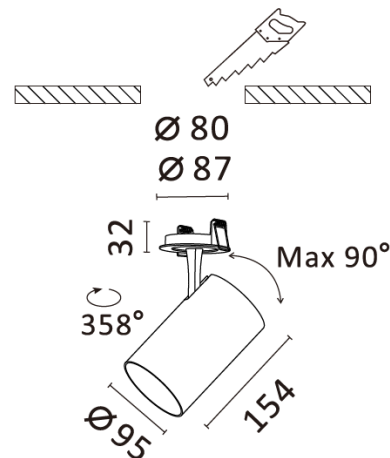
POWER	CCT	LUMEN OUTPUT	BEAM ANGLE	COLOUR FINISH	CONTROL GEAR (LED DRIVER)
10W 15W	2700K 3000K 4000K	1050LM 1350LM	15° 24° 36° 60°	White Silver Black	Non Dimmable 1-10V Dimmable DALI Dimmable Triac Dimmable

LED TRACK LIGHT

EAS-TRK146-JR6352

Technical Details

- Housing: Cast aluminum.
- Spot light adjustable 358° rotating around the vertical axis and 90° rotating around the horizontal axis.
- Anti-dazzle ring: Black.
- Light source: COB LED with a lens of optical
- UGR<14.
- CRI: >80
- IP Rate: IP20



Optical Accessories



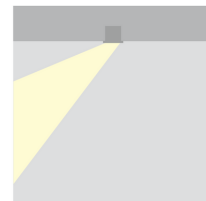
Honey comb



Frosted diffuser



Transparent foil



COB LED

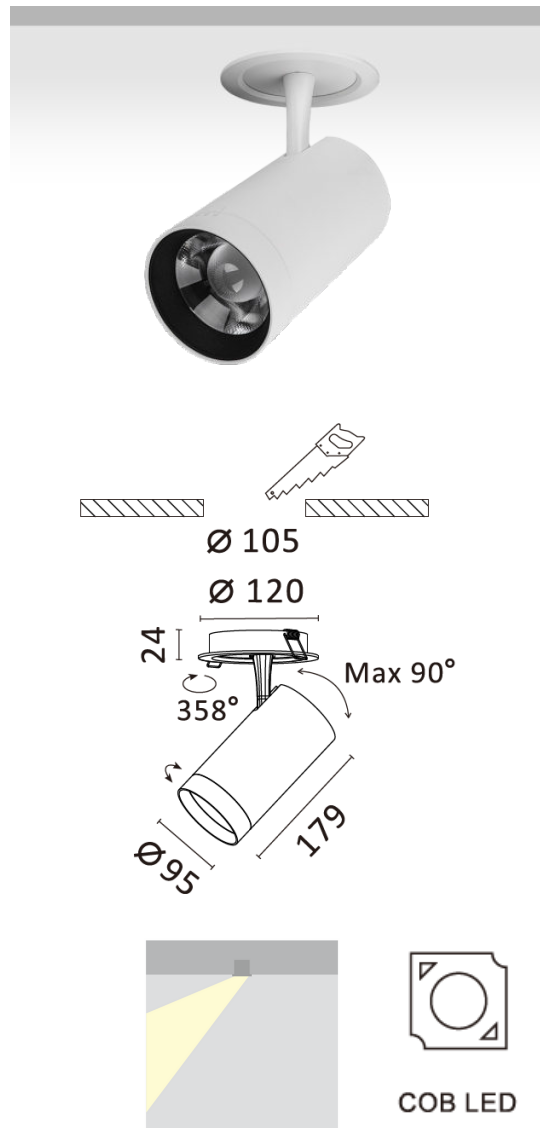
POWER	CCT	LUMEN OUTPUT	BEAM ANGLE	COLOUR FINISH	CONTROL GEAR (LED DRIVER)
20W	2700K	1990LM	12°	White Silver Black	Non Dimmable 1-10V Dimmable DALI Dimmable Triac Dimmable
25W	3000K	2350LM	24°		
30W	4000K	2800LM	36°		

LED TRACK LIGHT

EAS-TRK146-JR6351

Technical Details

- Housing: Cast aluminum.
- Spot light adjustable 358° rotating around the vertical axis and 90° rotating around the horizontal axis.
- Anti-dazzle ring: Black.
- Light source: COB LED with a lens of optical
- Stepless zoomable beam angle from 15° to 50°
- UGR<14.
- CRI: >80
- IP Rate: IP20



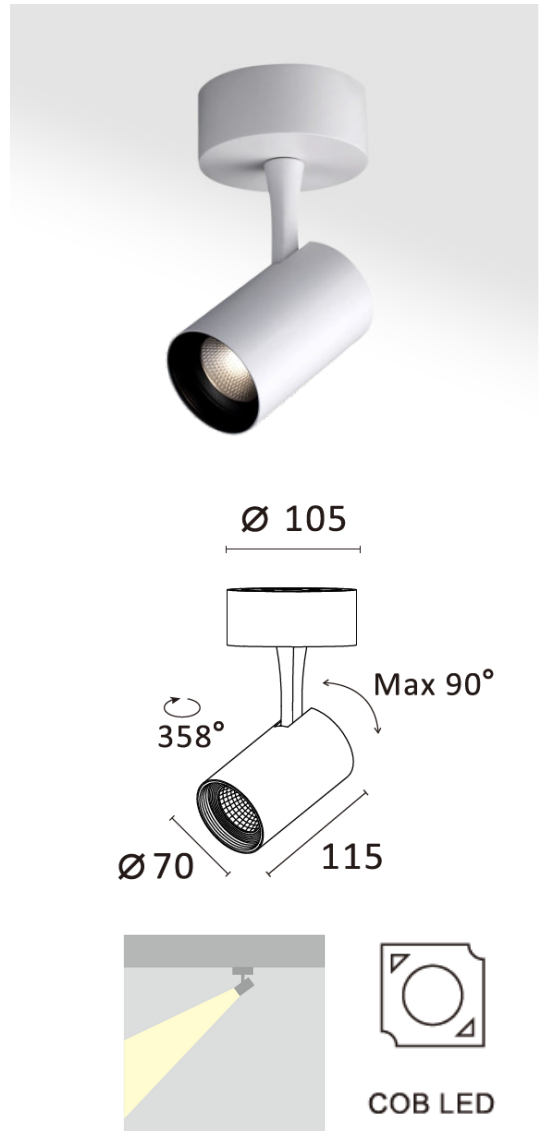
POWER	CCT	LUMEN OUTPUT	BEAM ANGLE	COLOUR FINISH	CONTROL GEAR (LED DRIVER)
20W	2700K	2168LM	15° 50°	White Silver Black	Non Dimmable 1-10V Dimmable DALI Dimmable Triac Dimmable
25W	3000K	2081LM			
30W	4000K	2340LM			

LED TRACK LIGHT

EAS-TRK146-JC6050

Technical Details

- Housing: Aluminum alloy.
- Spot light adjustable 358° rotating around the vertical axis and 90° rotating around the horizontal axis.
- Mounting plate: Steel sheet.
- Anti-dazzle ring: PC aluminum.
- Light spot pipe is available, which could make the light more soft and more perfect.
- Light source: COB LED with a high efficiency reflector of optical.
- UGR<14.
- CRI: >80
- IP Rate: IP20



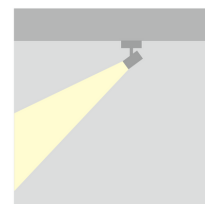
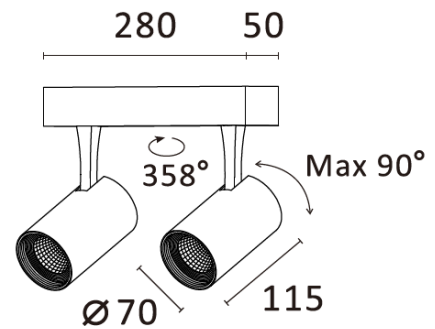
POWER	CCT	LUMEN OUTPUT	BEAM ANGLE	COLOUR FINISH	CONTROL GEAR (LED DRIVER)
10W 15W	2700K 3000K 4000K	1050LM 1358LM	15° 24° 36° 60°	White Silver Black	Non Dimmable

LED TRACK LIGHT

EAS-TRK146-JC6257

Technical Details

- Housing: Aluminum alloy.
- Spot light adjustable 358° rotating around the vertical axis and 90° rotating around the horizontal axis.
- Mounting plate: Steel sheet.
- Anti-dazzle ring: PC aluminum.
- Light spot pipe is available, which could make the light more soft and more perfect.
- Light source: COB LED with a high efficiency reflector of optical.
- UGR<14.
- CRI: >80
- IP Rate: IP20



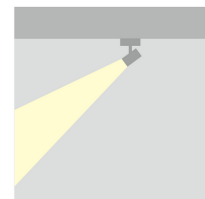
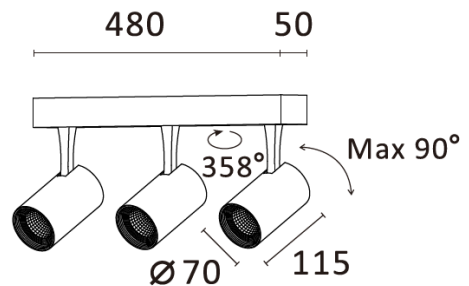
POWER	CCT	LUMEN OUTPUT	BEAM ANGLE	COLOUR FINISH	CONTROL GEAR (LED DRIVER)
2x10W 2x15W	2700K 3000K 4000K	2100LM 2700LM	15° 24° 36° 60°	White Silver Black	Non Dimmable

LED TRACK LIGHT

EAS-TRK146-JC6300

Technical Details

- Housing: Aluminum alloy.
- Spot light adjustable 358° rotating around the vertical axis and 90° rotating around the horizontal axis.
- Mounting plate: Steel sheet.
- Anti-dazzle ring: PC aluminum.
- Light spot pipe is available, which could make the light more soft and more perfect.
- Light source: COB LED with a high efficiency reflector of optical.
- UGR<14.
- CRI: >80
- IP Rate: IP20



COB LED

POWER	CCT	LUMEN OUTPUT	BEAM ANGLE	COLOUR FINISH	CONTROL GEAR (LED DRIVER)
3x10W 3x15W	2700K 3000K 4000K	3150LM 4050LM	15° 24° 36° 60°	White Silver Black	Non Dimmable

LED TRACK LIGHT

EAS-TRK146-JC6059

Technical Details

- Housing: Cast aluminum.
- Spot light adjustable 358° rotating around the vertical axis and 90° rotating around the horizontal axis.
- Anti-dazzle ring: Black.
- Light source: COB LED with a lens of optical.
- UGR<14.
- CRI: >80
- IP Rate: IP20



Optical Accessories



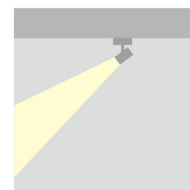
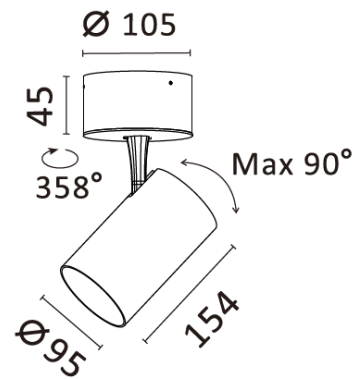
Honey comb



Frosted diffuser



Transparent foil



COB LED

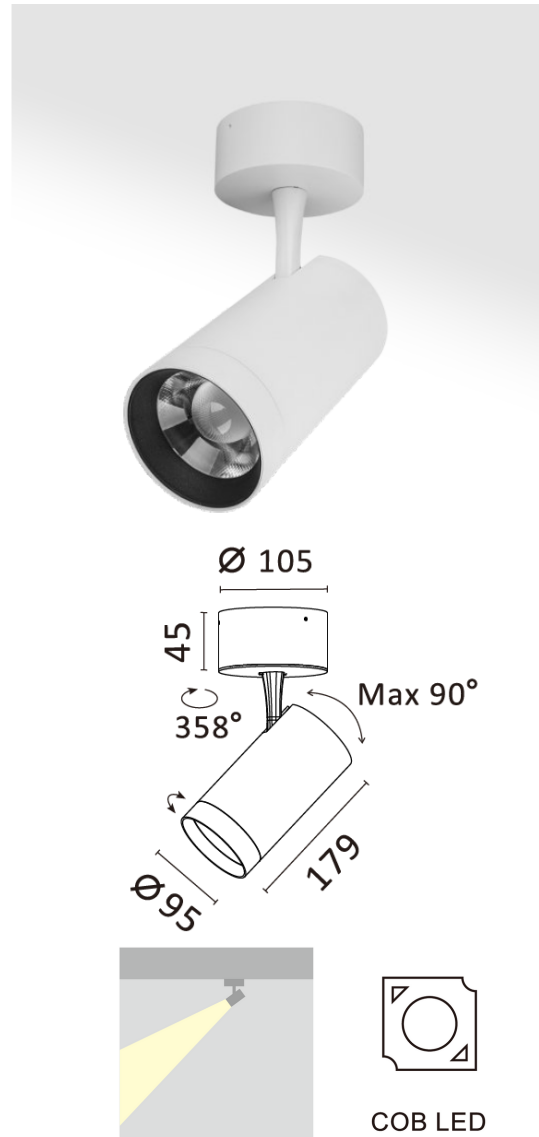
POWER	CCT	LUMEN OUTPUT	BEAM ANGLE	COLOUR FINISH	CONTROL GEAR (LED DRIVER)
20W	2700K	2219LM	12°	White Silver Black	Non Dimmable
25W	3000K	2350LM	24°		
30W	4000K	2800LM	36°		

LED TRACK LIGHT

EAS-TRK146-JC6058

Technical Details

- Housing: Cast aluminum.
- Spot light adjustable 358° rotating around the vertical axis and 90° rotating around the horizontal axis.
- Anti-dazzle ring: Black.
- Light source: COB LED with a lens of optical.
- Stepless zoomable beam angle from 15° to 50°
- UGR<14.
- CRI: >80
- IP Rate: IP20



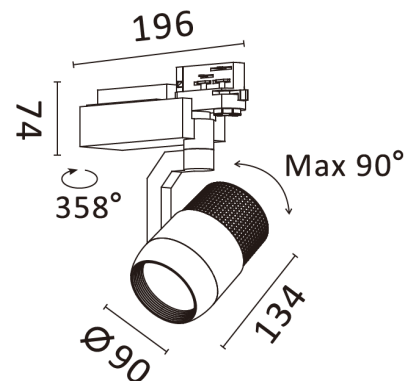
POWER	CCT	LUMEN OUTPUT	BEAM ANGLE	COLOUR FINISH	CONTROL GEAR (LED DRIVER)
20W 25W 30W	2700K 3000K 4000K	1768LM 2081LM 2571LM	15° 50°	White Silver Black	Non Dimmable

LED TRACK LIGHT

EAS-TRK146-JT6001

Technical Details

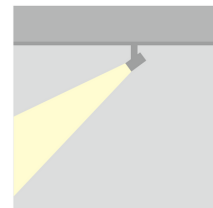
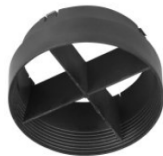
- Housing and bracket: Cast aluminum.
- Adjustable spot light with a plastic LED driver housing compartment secure to the adaptor and installation on main voltage 3-circuit track system.
- Spot light adjustable 358° rotating around the vertical axis and 90° rotating around the horizontal axis.
- Anti-dazzle ring: Black.
- Light spot pipe is available, which could make the light more soft and more perfect.
- Light source: COB LED with a high efficiency of optical.
- UGR<15.
- CRI: >80
- IP Rate: IP20



Optical Accessories

0296

Anti-dazzle ring for above COB LED track spot lights.



COB LED

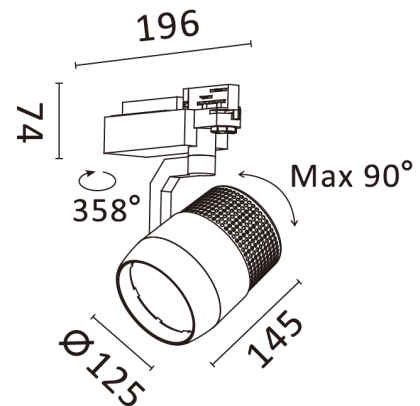
POWER	CCT	LUMEN OUTPUT	BEAM ANGLE	COLOUR FINISH	CONTROL GEAR (LED DRIVER)
20W	2700K	1994LM	15°	White Silver Black	Non Dimmable 1-10V Dimmable DALI Dimmable Triac Dimmable
25W	3000K	2258LM	24°		
30W	4000K	2881LM	36°		
			60°		

LED TRACK LIGHT

EAS-TRK146-JT6002

Technical Details

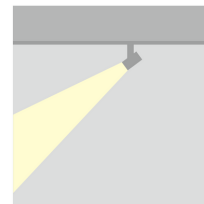
- Housing and bracket: Cast aluminum.
- Adjustable spot light with a plastic LED driver housing compartment secure to the adaptor and installation on main voltage 3-circuit track system.
- Spot light adjustable 358° rotating around the vertical axis and 90° rotating around the horizontal axis.
- Anti-dazzle ring: Plastic Black.
- Light spot pipe is available, which could make the light more soft and more perfect.
- Light source: COB LED with a high efficiency of optical.
- UGR<15.
- CRI: >80
- IP Rate: IP20



Optical Accessories

0279

Anti-dazzle ring for above COB LED track spot lights.



COB LED

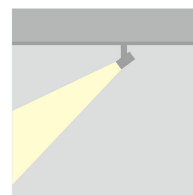
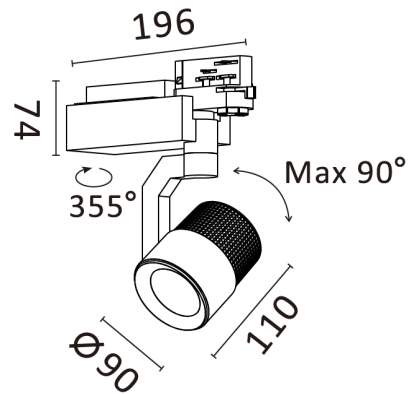
POWER	CCT	LUMEN OUTPUT	BEAM ANGLE	COLOUR FINISH	CONTROL GEAR (LED DRIVER)
30W	2700K	3114LM	15°	White Silver Black	Non Dimmable 1-10V Dimmable DALI Dimmable Triac Dimmable
40W	3000K	4029LM	24°		
50W	4000K	5095LM	36°		
			60°		

LED TRACK LIGHT

EAS-TRK146-JT6024

Technical Details

- Housing and bracket: Cast aluminum.
- Adjustable spot light with a plastic LED driver housing compartment secure to the adaptor and installation on main voltage 3-circuit track system.
- Spot light adjustable 358° rotating around the vertical axis and 90° rotating around the horizontal axis.
- Light spot pipe is available, which could make the light more soft and more perfect.
- Light source: COB LED with a high efficiency of optical.
- UGR<15.
- CRI: >80
- IP Rate: IP20



COB LED

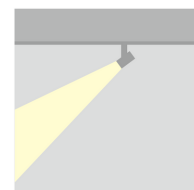
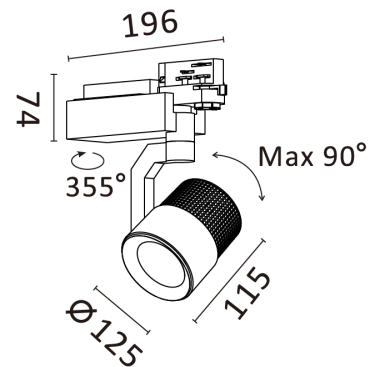
POWER	CCT	LUMEN OUTPUT	BEAM ANGLE	COLOUR FINISH	CONTROL GEAR (LED DRIVER)
15W	2700K	1245LM	10°	White Silver Black	Non Dimmable 1-10V Dimmable DALI Dimmable Triac Dimmable
20W	3000K	1605LM	20°		
25W	4000K	1894LM	30°		

LED TRACK LIGHT

EAS-TRK146-JT6036

Technical Details

- Housing and bracket: Cast aluminum.
- Adjustable spot light with a plastic LED driver housing compartment secure to the adaptor and installation on main voltage 3-circuit track system.
- Spot light adjustable 358° rotating around the vertical axis and 90° rotating around the horizontal axis.
- Light spot pipe is available, which could make the light more soft and more perfect.
- Light source: COB LED with a high efficiency of optical.
- UGR<15.
- CRI: >80
- IP Rate: IP20



COB LED

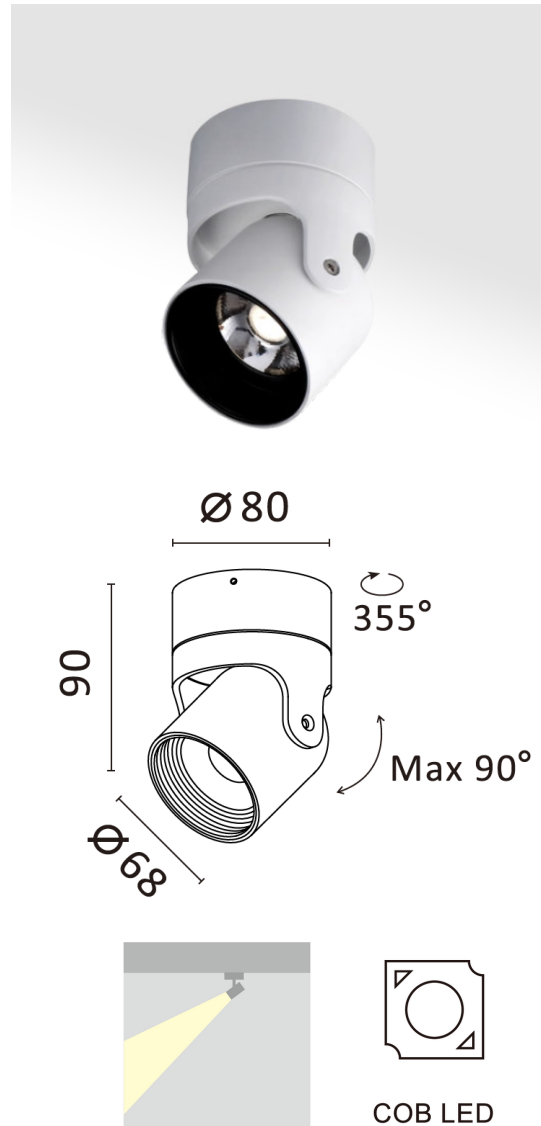
POWER	CCT	LUMEN OUTPUT	BEAM ANGLE	COLOUR FINISH	CONTROL GEAR (LED DRIVER)
30W	2700K	3233LM	10°	White Silver Black	Non Dimmable 1-10V Dimmable DALI Dimmable Triac Dimmable
40W	3000K	3636LM	24°		
50W	4000K	4920LM	36°		

LED TRACK LIGHT

EAS-TRK146-JC6026

Technical Details

- Housing and bracket: Cast aluminum.
- Spot light adjustable 358° rotating around the vertical axis and 90° rotating around the horizontal axis.
- Anti- dazzle ring: Aluminum alloy.
- Light source: COB LED with a lens of optical
- UGR<15.
- CRI: >80
- IP Rate: IP20



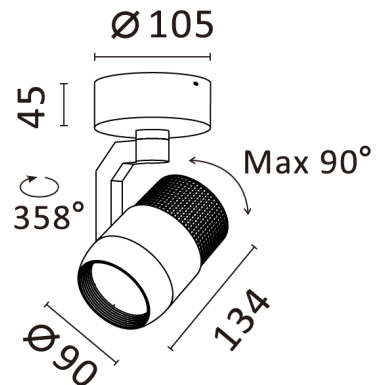
POWER	CCT	LUMEN OUTPUT	BEAM ANGLE	COLOUR FINISH	CONTROL GEAR (LED DRIVER)
6W 10W	2700K 3000K 4000K	535LM 905LM	10° 20° 30°	White Silver Black	Non Dimmable

LED TRACK LIGHT

EAS-TRK146-JC6054

Technical Details

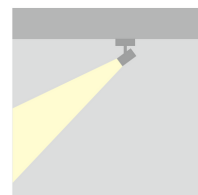
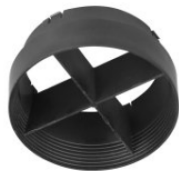
- Housing and bracket: Cast aluminum.
- Spot light adjustable 358° rotating around the vertical axis and 90° rotating around the horizontal axis.
- Mounting ring: Aluminum alloy.
- Anti- dazzle ring: Plastic Black.
- Light spot pipe is available, which could make the light more soft and more perfect.
- Light source: COB LED with a high efficiency of optical.
- UGR<15.
- CRI: >80
- IP Rate: IP20



Optical Accessories

0296

Anti-dazzle ring for above COB LED surface-mounted spot lights.



COB LED

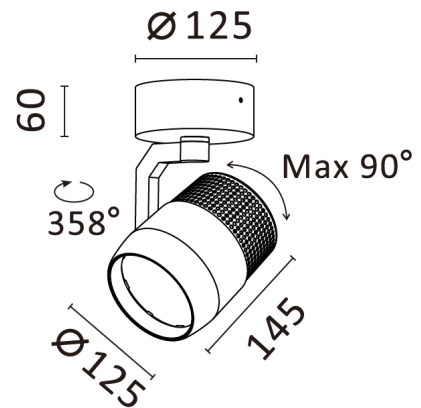
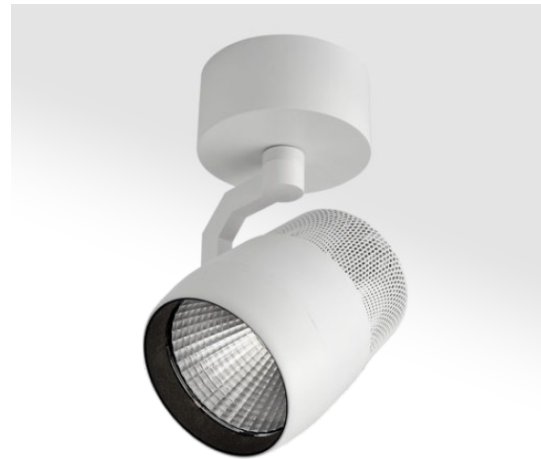
POWER	CCT	LUMEN OUTPUT	BEAM ANGLE	COLOUR FINISH	CONTROL GEAR (LED DRIVER)
20W	2700K	1994LM	15°	White Silver Black	Non Dimmable
25W	3000K	2258LM	24°		
30W	4000K	2881LM	36°		
			60°		

LED TRACK LIGHT

EAS-TRK146-JC6063

Technical Details

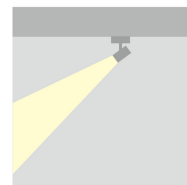
- Housing and bracket: Cast aluminum.
- Spot light adjustable 358° rotating around the vertical axis and 90° rotating around the horizontal axis.
- Mounting ring: Aluminum alloy.
- Anti- dazzle ring: Plastic Black.
- Light spot pipe is available, which could make the light more soft and more perfect.
- Light source: COB LED with a high efficiency of optical.
- UGR<15.
- CRI: >80
- IP Rate: IP20



Optical Accessories

0279

Anti-dazzle ring for above COB LED surface-mounted spot lights.



COB LED

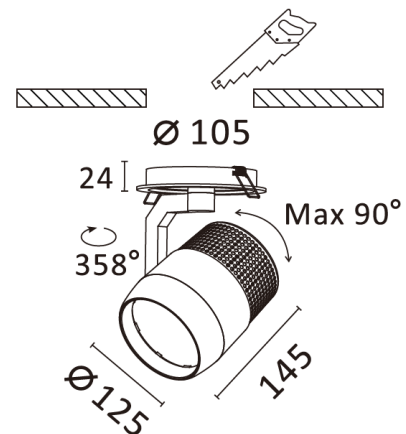
POWER	CCT	LUMEN OUTPUT	BEAM ANGLE	COLOUR FINISH	CONTROL GEAR (LED DRIVER)
30W 40W	2700K 3000K 4000K	3114LM 4029LM	15° 24° 36° 60°	White Silver Black	Non Dimmable

LED TRACK LIGHT

EAS-TRK146-JR6302

Technical Details

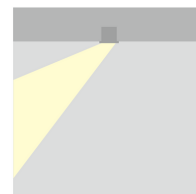
- Housing and bracket: Cast aluminum.
- Spot light adjustable 358° rotating around the vertical axis and 90° rotating around the horizontal axis.
- Anti- dazzle ring: Plastic black.
- Light spot pipe is available, which could make the light more soft and more perfect.
- Light source: COB LED with a high efficiency of optical.
- The light can be compatible with emergency battery.
- UGR<15.
- CRI: >80
- IP Rate: IP20



Optical Accessories

0279

Anti-dazzle ring for above COB LED recessed spot lights.



COB LED

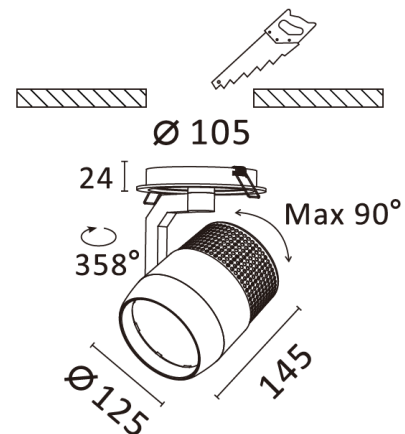
POWER	CCT	LUMEN OUTPUT	BEAM ANGLE	COLOUR FINISH	CONTROL GEAR (LED DRIVER)
30W	2700K	3114LM	15°	White Silver Black	Non Dimmable 1-10V Dimmable DALI Dimmable Triac Dimmable
40W	3000K	4029LM	24°		
50W	4000K	5095LM	36°		
			60°		

LED TRACK LIGHT

EAS-TRK146-JR6302

Technical Details

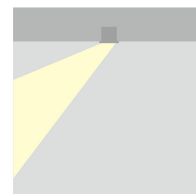
- Housing and bracket: Cast aluminum.
- Spot light adjustable 358° rotating around the vertical axis and 90° rotating around the horizontal axis.
- Anti- dazzle ring: Plastic black.
- Light spot pipe is available, which could make the light more soft and more perfect.
- Light source: COB LED with a high efficiency of optical.
- The light can be compatible with emergency battery.
- UGR<15.
- CRI: >80
- IP Rate: IP20



Optical Accessories

0279

Anti-dazzle ring for above COB LED recessed spot lights.



COB LED

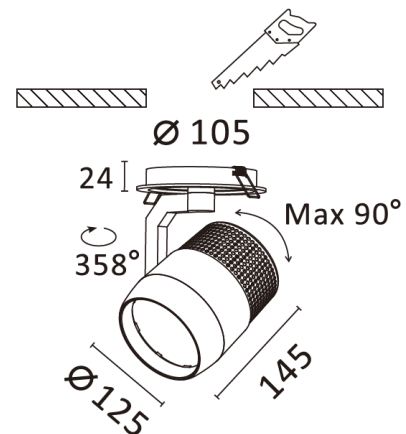
POWER	CCT	LUMEN OUTPUT	BEAM ANGLE	COLOUR FINISH	CONTROL GEAR (LED DRIVER)
30W	2700K	3114LM	15°	White Silver Black	Non Dimmable 1-10V Dimmable DALI Dimmable Triac Dimmable
40W	3000K	4029LM	24°		
50W	4000K	5095LM	36°		
			60°		

LED TRACK LIGHT

EAS-TRK146-JR6302

Technical Details

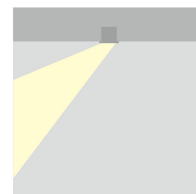
- Housing and bracket: Cast aluminum.
- Spot light adjustable 358° rotating around the vertical axis and 90° rotating around the horizontal axis.
- Anti- dazzle ring: Plastic black.
- Light spot pipe is available, which could make the light more soft and more perfect.
- Light source: COB LED with a high efficiency of optical.
- The light can be compatible with emergency battery.
- UGR<15.
- CRI: >80
- IP Rate: IP20



Optical Accessories

0279

Anti-dazzle ring for above COB LED recessed spot lights.



COB LED

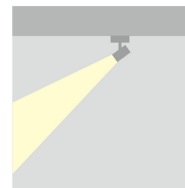
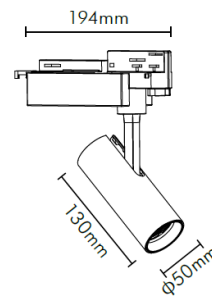
POWER	CCT	LUMEN OUTPUT	BEAM ANGLE	COLOUR FINISH	CONTROL GEAR (LED DRIVER)
30W	2700K	3114LM	15°	White Silver Black	Non Dimmable 1-10V Dimmable DALI Dimmable Triac Dimmable
40W	3000K	4029LM	24°		
50W	4000K	5095LM	36°		
			60°		

LED TRACK LIGHT

EAS-TRK30-3501

Technical Details

- Track design enables the lamp to slide freely in the track, so that the object can not escape from the light range.
- Material: Aluminum
- 50,000 Hours Lifespan
- CRI>90
- SDCM 3
- Optical accessories available
- IP Rate: IP20



COB LED

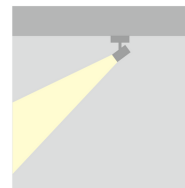
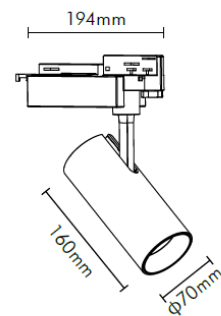
POWER	CCT	LUMEN OUTPUT	BEAM ANGLE	COLOUR FINISH	CONTROL GEAR (LED DRIVER)
8W	2700K	630~664LM	15°	White Black	Non Dimmable DALI Dimmable Phase Dimmable
10W	3000K	705~779LM	24°		
12W	4000K	802~864LM	38°		
15W	5000K	895LM~971LM			

LED TRACK LIGHT

EAS-TRK30-3701

Technical Details

- Track design enables the lamp to slide freely in the track to provide you with high brightness and high power lighting.
- Material: Aluminum
- 50,000 Hours Lifespan
- CRI>90
- SDCM 3
- Optical accessories available
- IP Rate: IP20



COB LED

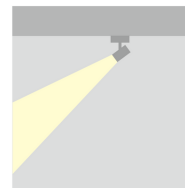
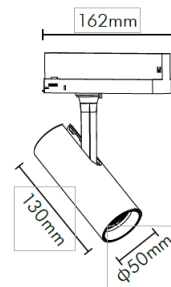
POWER	CCT	LUMEN OUTPUT	BEAM ANGLE	COLOUR FINISH	CONTROL GEAR (LED DRIVER)
15W	2700K	945~1122LM	15°	White Black	Non Dimmable DALI Dimmable Phase Dimmable
20W	3000K	1303~1570LM	24°		
25W	4000K	1622~1803LM	38°		
	5000K				

LED TRACK LIGHT

EAS-TRK30-3502

Technical Details

- Track design enables the lamp to slide freely in the track, the power supply is completely hidden in the track, so that the lamp and the track can be integrated perfectly.
- Material: Aluminum
- 50,000 Hours Lifespan
- CRI>90
- SDCM 3
- Optical accessories available
- IP Rate: IP20



COB LED

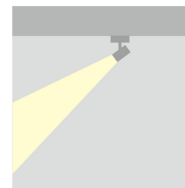
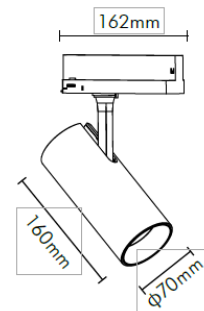
POWER	CCT	LUMEN OUTPUT	BEAM ANGLE	COLOUR FINISH	CONTROL GEAR (LED DRIVER)
8W	2700K	630~661LM	15° 24° 38°	White Black	Non Dimmable DALI Dimmable Phase Dimmable
10W	3000K	705~779LM			
12W	4000K	802~864LM			
15W	5000K	895~971LM			

LED TRACK LIGHT

EAS-TRK30-3702

Technical Details

- Track design enables the lamp to slide freely in the track, and the power supply is completely hidden in the track, which can provide higher brightness and higher power.
- Material: Aluminum
- 50,000 Hours Lifespan
- CRI>90
- SDCM 3
- Optical accessories available
- IP Rate: IP20



COB LED

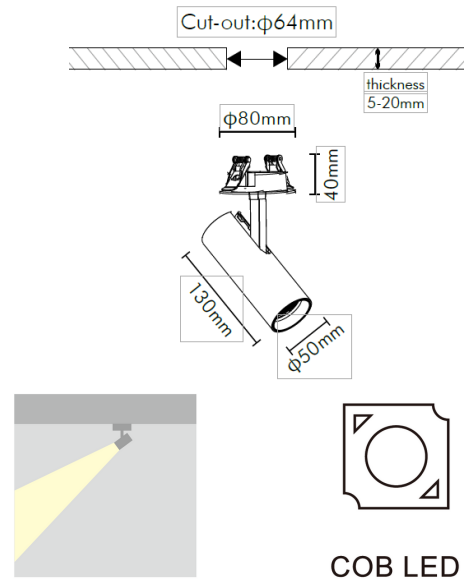
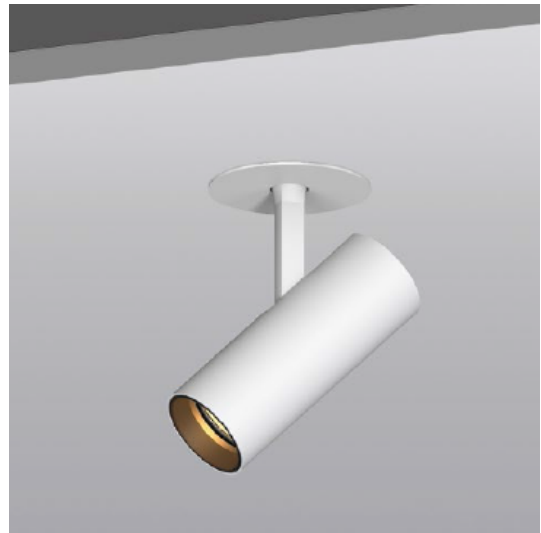
POWER	CCT	LUMEN OUTPUT	BEAM ANGLE	COLOUR FINISH	CONTROL GEAR (LED DRIVER)
15W	2700K	945~1122LM	15°	White Black	Non Dimmable DALI Dimmable Phase Dimmable
20W	3000K	1303~1570LM	24°		
25W	4000K	1622~1803LM	38°		
	5000K				

LED TRACK LIGHT

EAS-TRK30-2502

Technical Details

- Recessed installation, adjustable and flexible direction, minimalist design makes the lamp become a part of the decoration.
- Material: Aluminum
- 50,000 Hours Lifespan
- CRI>90
- SDCM 3
- Optical accessories available
- IP Rate: IP20



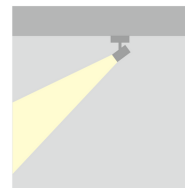
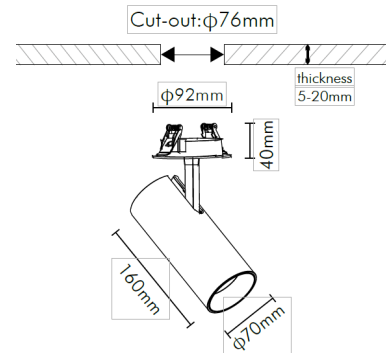
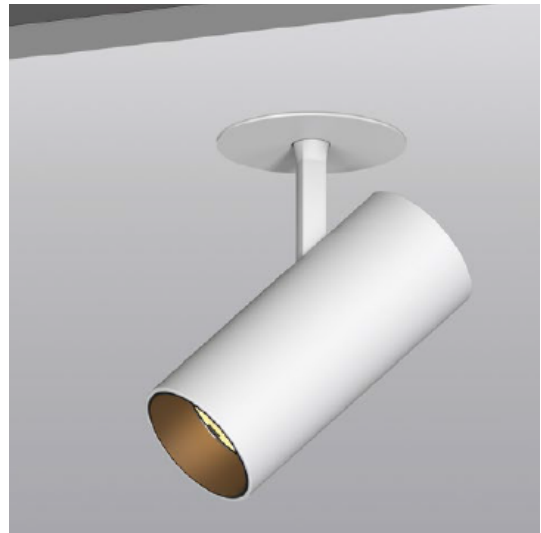
POWER	CCT	LUMEN OUTPUT	BEAM ANGLE	COLOUR FINISH	CONTROL GEAR (LED DRIVER)
8W	2700K	630~664LM	15° 24° 38°	White Black	Non Dimmable DALI Dimmable Phase Dimmable
10W	3000K	705~779LM			
12W	4000K	802~864LM			
15W	5000K	895~971LM			

LED TRACK LIGHT

EAS-TRK30-2702

Technical Details

- Recessed installation, adjustable and flexible direction, minimalist design makes the lamp become a part of the decoration, while providing higher brightness and greater power.
- Material: Aluminum
- 50,000 Hours Lifespan
- CRI>90
- SDCM 3
- Optical accessories available
- IP Rate: IP20



COB LED

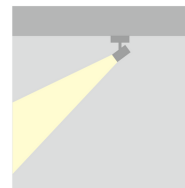
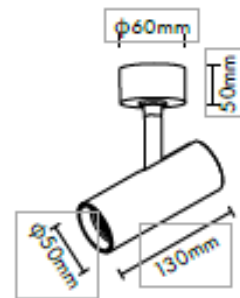
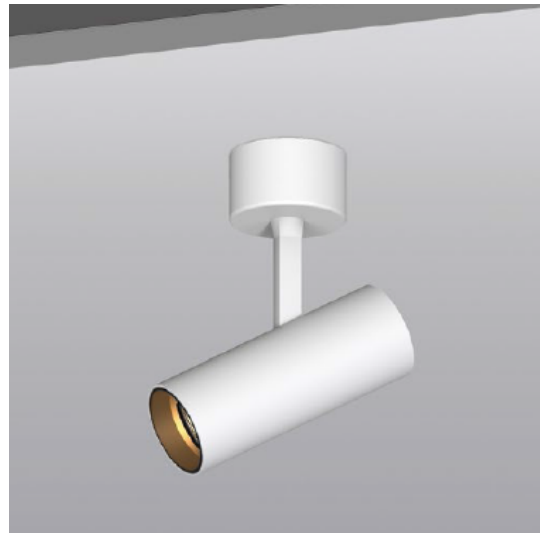
POWER	CCT	LUMEN OUTPUT	BEAM ANGLE	COLOUR FINISH	CONTROL GEAR (LED DRIVER)
15W	2700K	945~1064LM	15°	White Black	Non Dimmable DALI Dimmable Phase Dimmable
20W	3000K	1303~1570LM	24°		
25W	4000K	1622~1803LM	38°		
	5000K				

LED TRACK LIGHT

EAS-TRK30-8503

Technical Details

- Surface mounted installation, adjustable and flexible direction, minimalist design, suitable for places without ceiling.
- Material: Aluminum
- 50,000 Hours Lifespan
- CRI>90
- SDCM 3
- Optical accessories available
- IP Rate: IP20



COB LED

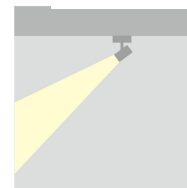
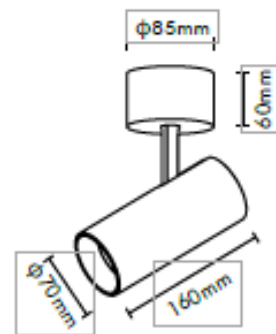
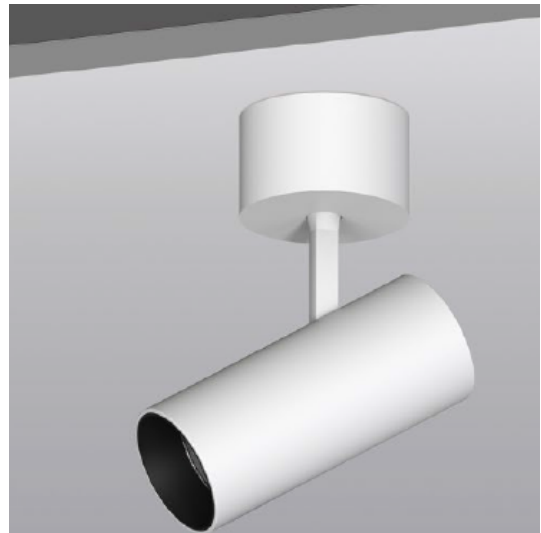
POWER	CCT	LUMEN OUTPUT	BEAM ANGLE	COLOUR FINISH	CONTROL GEAR (LED DRIVER)
8W	2700K	630~664LM	15° 24° 38°	White Black	Non Dimmable DALI Dimmable Phase Dimmable
10W	3000K	705~779LM			
12W	4000K	802~864LM			
15W	5000K	895~971LM			

LED TRACK LIGHT

EAS-TRK30-8702

Technical Details

- Surface mounted installation, adjustable and flexible direction, minimalist shape and highpower design, suitable for higher and larger places without ceiling.
- Material: Aluminum
- 50,000 Hours Lifespan
- CRI>90
- SDCM 3
- Optical accessories available
- IP Rate: IP20



COB LED

POWER	CCT	LUMEN OUTPUT	BEAM ANGLE	COLOUR FINISH	CONTROL GEAR (LED DRIVER)
15W	2700K	945~112LM	15°	White Black	Non Dimmable DALI Dimmable Phase Dimmable
20W	3000K	1303~1570LM	24°		
25W	4000K	1622~1803LM	38°		
	5000K				

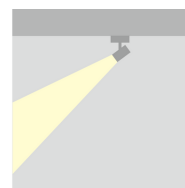
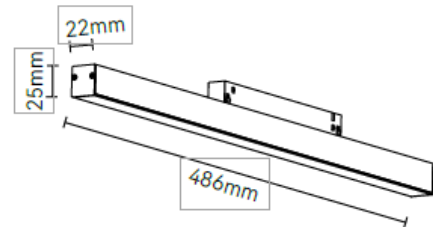
LED MAGNETIC TRACK LIGHT



EAS-TRK30-S222

Technical Details

- The short size design is perfectly combined with the track.
- The beautiful linear design can outline the space modeling and create an emotional atmosphere for you.
- Material: Aluminum
- 50,000 Hours Lifespan
- Extra wide flood beam angle
- CRI>90
- SDCM 5
- Optical accessories available
- IP Rate: IP20



COB LED

POWER	CCT	LUMEN OUTPUT	COLOUR FINISH	CONTROL GEAR (LED DRIVER)
25W	2700K 3000K 4000K 5000K	697~768LM	White Black	Non Dimmable DALI Dimmable 1-10V Dimmable

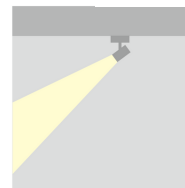
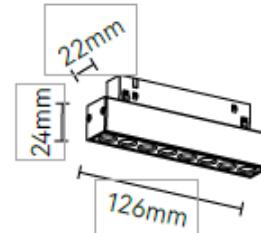
LED MAGNETIC TRACK LIGHT



EAS-TRK30-S225

Technical Details

- The long strip design is completely hidden in the track, and the lamp is well combined with the ceiling. The black linear spotlight makes the space more mysterious.
- Material: Aluminum
- 50,000 Hours Lifespan
- Optical Tilt 8° (Beam angle 26° x28°)
Round flood 15° /30° /50°
- Oval flood
- 34°x62°/60°x36°/19°x42°/35°x48°
- CRI>90
- SDCM 5
- IP Rate: IP20



COB LED

POWER	CCT	LUMEN OUTPUT	COLOUR FINISH	CONTROL GEAR (LED DRIVER)
5W	2700K 3000K 4000K 5000K	283~473LM	White Black	Non Dimmable DALI Dimmable 1-10V Dimmable

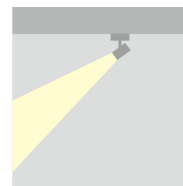
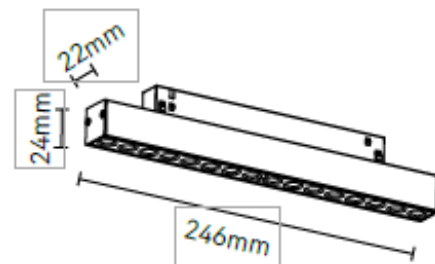
LED MAGNETIC TRACK LIGHT



EAS-TRK30-S226

Technical Details

- The long strip design is completely hidden in the track, and the lamp is well combined with the ceiling. The black linear spotlight makes the space more mysterious.
- Material: Aluminum
- 50,000 Hours Lifespan
- Optical Tilt 8° (Beam angle 26° x28°)
Round flood 15° /30° /50°
- Oval flood
34°x62°/60°x36°/19°x42°/35°x48°
- CRI>90
- SDCM 5
- IP Rate: IP20



COB LED

POWER	CCT	LUMEN OUTPUT	COLOUR FINISH	CONTROL GEAR (LED DRIVER)
10W	2700K 3000K 4000K 5000K	642~1006LM	White Black	Non Dimmable DALI Dimmable 1-10V Dimmable

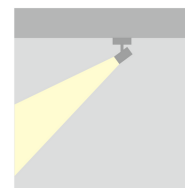
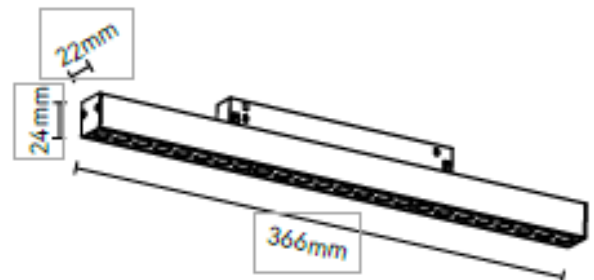
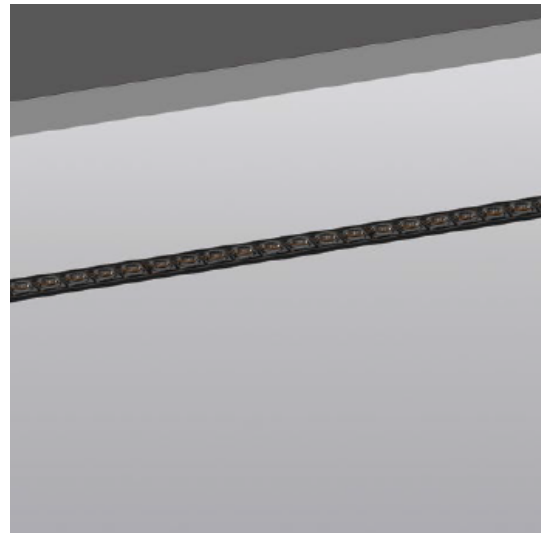
LED MAGNETIC TRACK LIGHT



EAS-TRK30-S227

Technical Details

- The long strip design is completely hidden in the track, and the lamp is well combined with the ceiling. The black linear spotlight makes the space more mysterious.
- Material: Aluminum
- 50,000 Hours Lifespan
- Optical Tilt 8° (Beam angle 26° x28°)
Round flood 15° /30° /50°
- Oval flood
34°x62°/60°x36°/19°x42°/35°x48°
- CRI>90
- SDCM 5
- IP Rate: IP20



COB LED

POWER	CCT	LUMEN OUTPUT	COLOUR FINISH	CONTROL GEAR (LED DRIVER)
15W	2700K 3000K 4000K 5000K	922~1293LM	White Black	Non Dimmable DALI Dimmable 1-10V Dimmable

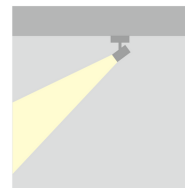
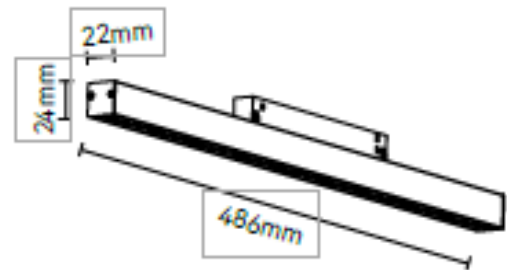
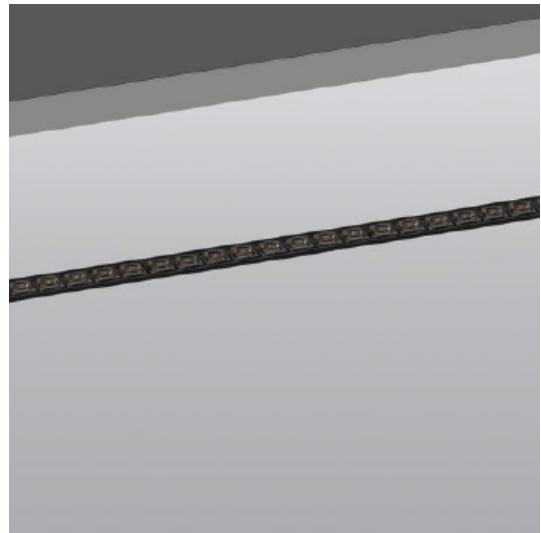
LED MAGNETIC TRACK LIGHT



EAS-TRK30-S221

Technical Details

- The long strip design is completely hidden in the track, and the lamp is well combined with the ceiling. The black linear spotlight makes the space more mysterious.
- Material: Aluminum
- 50,000 Hours Lifespan
- Optical Tilt 8° (Beam angle 26° x28°)
Round flood 15° /30° /50°
- Oval flood
34°x62°/60°x36°/19°x42°/35°x48°
- CRI>90
- SDCM 5
- IP Rate: IP20



COB LED

POWER	CCT	LUMEN OUTPUT	COLOUR FINISH	CONTROL GEAR (LED DRIVER)
20W	2700K 3000K 4000K 5000K	1305~1825LM	White Black	Non Dimmable DALI Dimmable 1-10V Dimmable

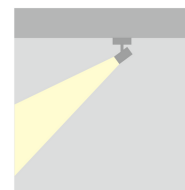
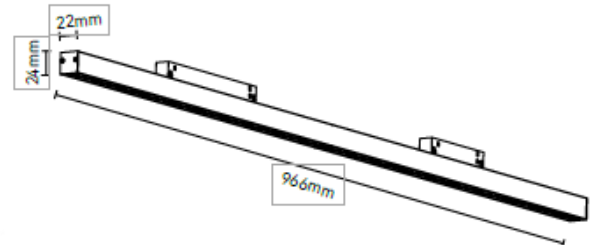
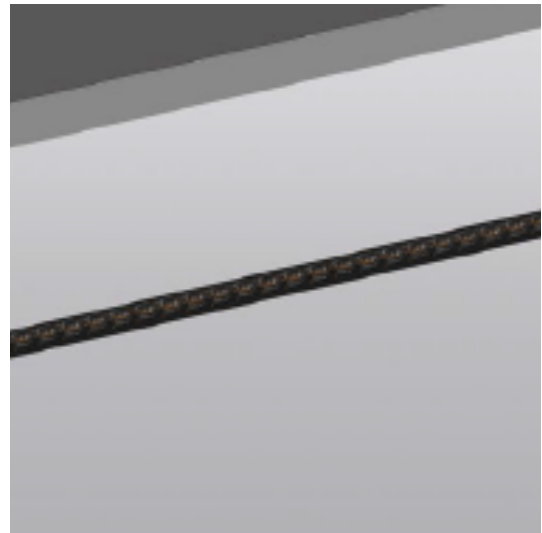
LED MAGNETIC TRACK LIGHT



EAS-TRK30-S223

Technical Details

- The long strip design is completely hidden in the track, and the lamp is well combined with the ceiling. The black linear spotlight makes the space more mysterious.
- Material: Aluminum
- 50,000 Hours Lifespan
- Optical Tilt 8° (Beam angle 26° x28°)
Round flood 15° /30° /50°
- Oval flood
34°x62°/60°x36°/19°x42°/35°x48°
- CRI>90
- SDCM 5
- IP Rate: IP20



COB LED

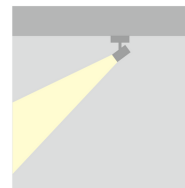
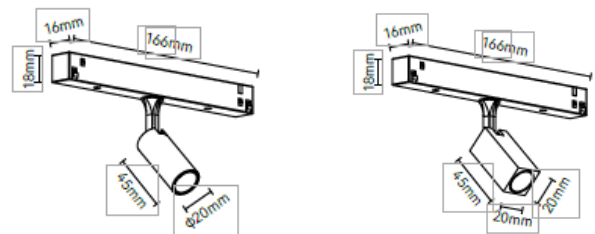
POWER	CCT	LUMEN OUTPUT	COLOUR FINISH	CONTROL GEAR (LED DRIVER)
30W	2700K 3000K 4000K 5000K	1985~2814LM	White Black	Non Dimmable DALI Dimmable 1-10V Dimmable

LED MAGNETIC TRACK LIGHT

EAS-TRK30-S201/S204 SERIES

Technical Details

- Thumb size Mini design, small and exquisite lamps can be better integrated with the space, and the unique square and round shape can be better integrated into different space designs.
- Material: Aluminum
- 50,000 Hours Lifespan
- CRI>90
- SDCM 5
- Optical accessories available
- IP Rate: IP20



COB LED

POWER	CCT	LUMEN OUTPUT	BEAM ANGLE	COLOUR FINISH	CONTROL GEAR (LED DRIVER)
1W	2700K 3000K 4000K 5000K	47~78LM	15° 24° 33°	White Black	Non Dimmable DALI Dimmable 1-10V Dimmable

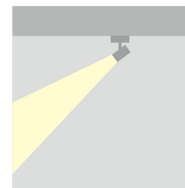
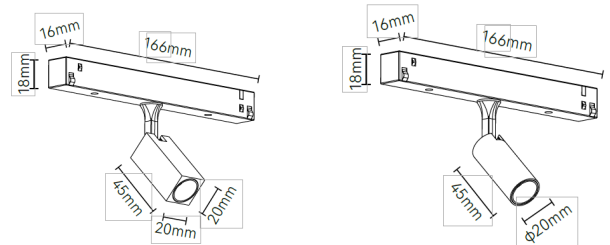
LED MAGNETIC TRACK LIGHT



EAS-TRK30-S202/S205 SERIES

Technical Details

- Thumb size Mini design, small and exquisite lamps not only can be better integrated with the space, but also has adjustable light function, so that the atmosphere of the space is much warmer.
- Material: Aluminum
- 50,000 Hours Lifespan
- CRI>90
- SDCM 5
- Optical accessories available
- IP Rate: IP20



COB LED

POWER	CCT	LUMEN OUTPUT	BEAM ANGLE	COLOUR FINISH	CONTROL GEAR (LED DRIVER)
1W 3W	2700K 3000K 4000K 5000K	47~78LM 79~134LM	15° 24° 33°	White Black	Non Dimmable DALI Dimmable 1-10V Dimmable

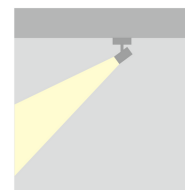
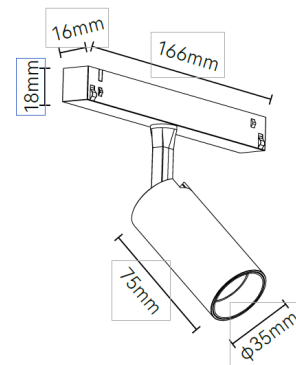
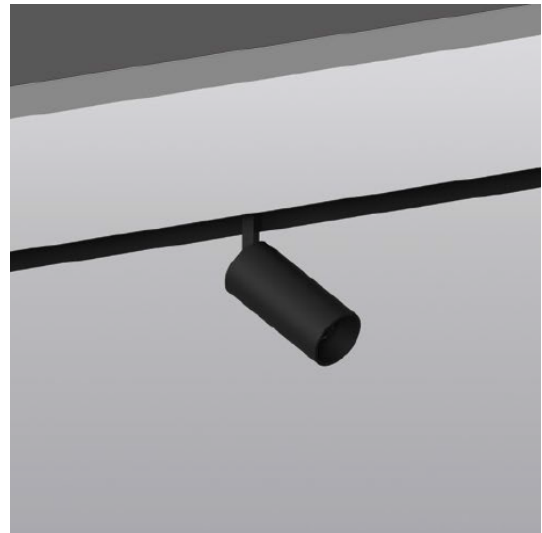
LED MAGNETIC TRACK LIGHT



EAS-TRK30-S351

Technical Details

- Track installation, small and exquisite. It can rotate 350° in horizontal direction and 90° in vertical direction. It is more suitable for exquisite design.
- Material: Aluminum
- 50,000 Hours Lifespan
- CRI>90
- SDCM 3
- Optical accessories available
- IP Rate: IP20



COB LED

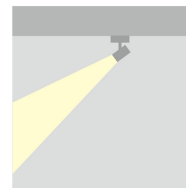
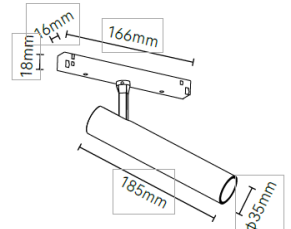
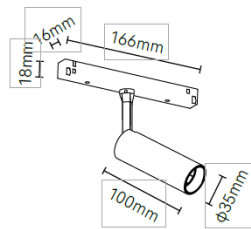
POWER	CCT	LUMEN OUTPUT	BEAM ANGLE	COLOUR FINISH	CONTROL GEAR (LED DRIVER)
5W	2700K 3000K 4000K 5000K	352~381LM	15° 24° 33°	White Black	Non Dimmable DALI Dimmable 1-10V Dimmable

LED MAGNETIC TRACK LIGHT

EAS-TRK30-S3510/S3514 SERIES

Technical Details

- Track installation, small and exquisite, different lengths as options, flexible configuration according to space requirements.
- Material: Aluminum
- 50,000 Hours Lifespan
- CRI>90
- SDCM 3
- Optical accessories available
- IP Rate: IP20



COB LED

POWER	CCT	LUMEN OUTPUT	BEAM ANGLE	COLOUR FINISH	CONTROL GEAR (LED DRIVER)
7W	2700K 3000K 4000K 5000K	401~469LM	15° 24° 33°	White Black	Non Dimmable DALI Dimmable 1-10V Dimmable

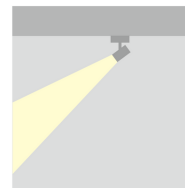
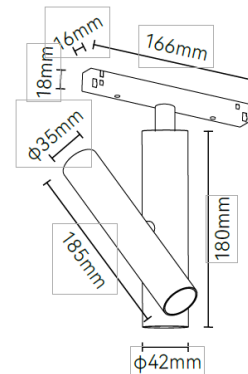
LED MAGNETIC TRACK LIGHT



EAS-TRK30-S356

Technical Details

- Unique appearance design, can be rotated 350 ° both in horizontal and vertical direction, wide range of angle adjustment makes the application more flexible.
- Material: Aluminum
- 50,000 Hours Lifespan
- CRI>90
- SDCM 3
- Optical accessories available
- IP Rate: IP20



COB LED

POWER	CCT	LUMEN OUTPUT	BEAM ANGLE	COLOUR FINISH	CONTROL GEAR (LED DRIVER)
7W	2700K 3000K 4000K 5000K	401~469LM	15° 24° 33°	White Black	Non Dimmable DALI Dimmable 1-10V Dimmable

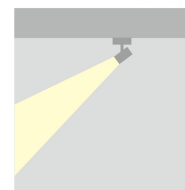
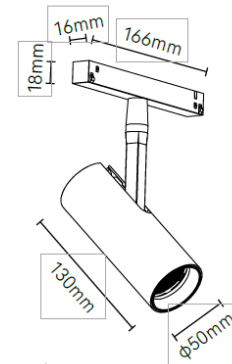
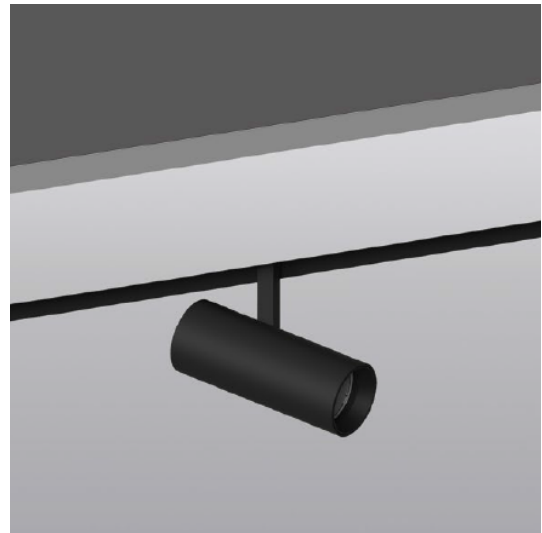
LED MAGNETIC TRACK LIGHT



EAS-TRK30-S501

Technical Details

- Track installation, solid appearance, provide more luminous flux and illumination.
- Material: Aluminum
- 50,000 Hours Lifespan
- CRI>90
- SDCM 3
- Optical accessories available
- IP Rate: IP20



COB LED

POWER	CCT	LUMEN OUTPUT	BEAM ANGLE	COLOUR FINISH	CONTROL GEAR (LED DRIVER)
12W	2700K 3000K 4000K 5000K	802~864LM	15° 24° 38°	White Black	Non Dimmable DALI Dimmable 1-10V Dimmable

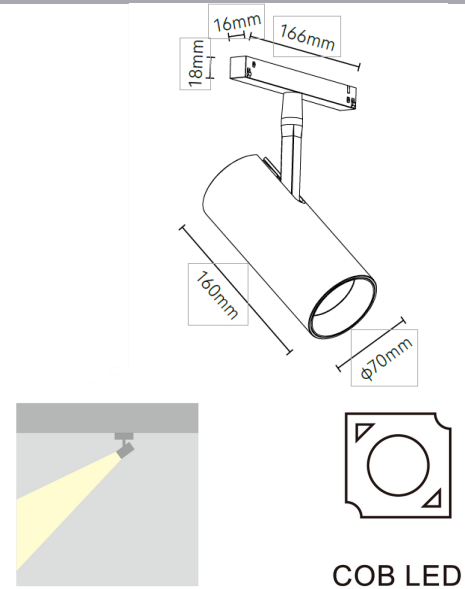
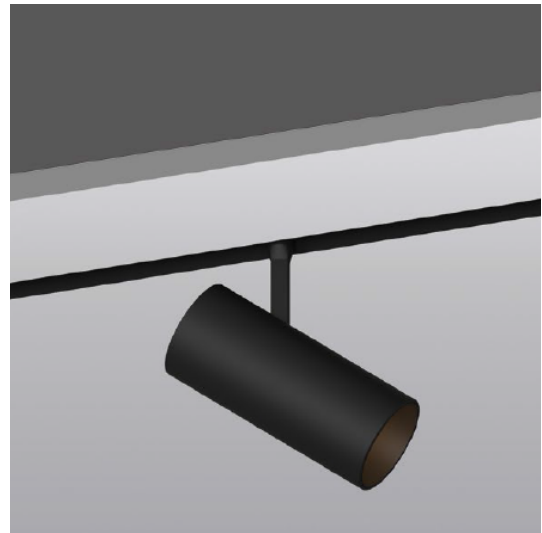
LED MAGNETIC TRACK LIGHT



EAS-TRK30-S701

Technical Details

- Track installation, high power design, can provide more luminous flux and project to a longer distance.
- Material: Aluminum
- 50,000 Hours Lifespan
- CRI>90
- SDCM 3
- Optical accessories available
- IP Rate: IP20



POWER	CCT	LUMEN OUTPUT	BEAM ANGLE	COLOUR FINISH	CONTROL GEAR (LED DRIVER)
25W	2700K 3000K 4000K 5000K	1622~1803LM	15° 24° 38°	White Black	Non Dimmable DALI Dimmable 1-10V Dimmable

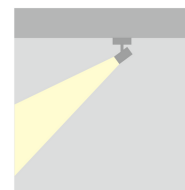
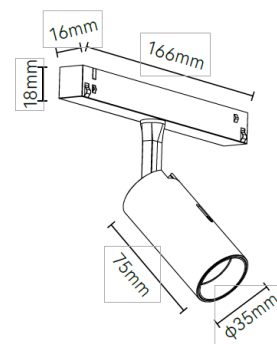
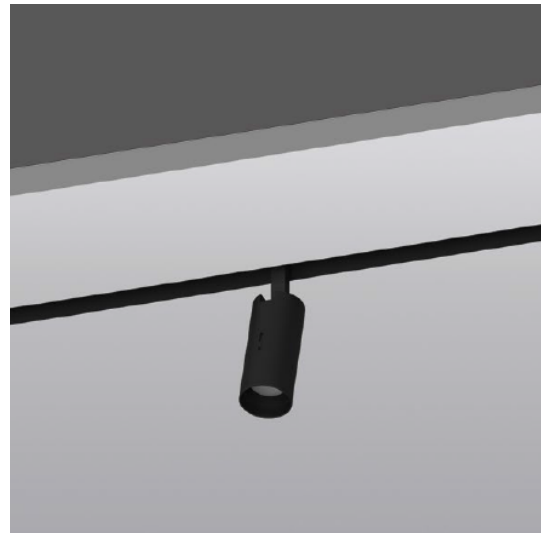
LED MAGNETIC TRACK LIGHT



EAS-TRK30-S352

Technical Details

- Track installation, small and exquisite, focusing design, beam angle can be adjusted between 18° and 36° . Flexible features can make your design more concise.
- Material: Aluminum
- 50,000 Hours Lifespan
- CRI>90
- SDCM 3
- Optical accessories available
- IP Rate: IP20



COB LED

POWER	CCT	LUMEN OUTPUT	BEAM ANGLE	COLOUR FINISH	CONTROL GEAR (LED DRIVER)
5W	2700K 3000K 4000K 5000K	109~141LM	18° 36°	White Black	Non Dimmable DALI Dimmable 1-10V Dimmable

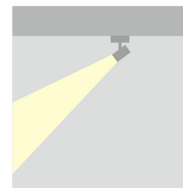
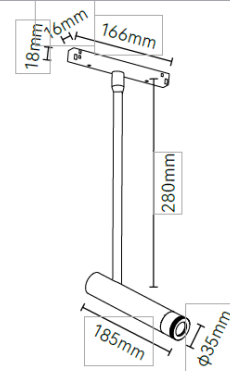
LED MAGNETIC TRACK LIGHT



EAS-TRK30-S358

Technical Details

- Track installation, slender arm, beam angle can be adjusted between 12° and 36° to create a more unique style for the space.
- Material: Aluminum
- 50,000 Hours Lifespan
- CRI>90
- SDCM 3
- Optical accessories available
- IP Rate: IP20



COB LED

POWER	CCT	LUMEN OUTPUT	BEAM ANGLE	COLOUR FINISH	CONTROL GEAR (LED DRIVER)
7W	2700K 3000K 4000K 5000K	112~143LM	12° 36°	White Black	Non Dimmable DALI Dimmable 1-10V Dimmable

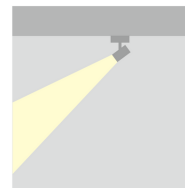
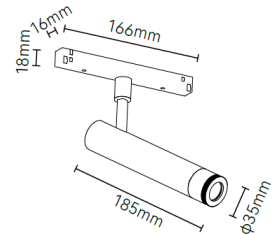
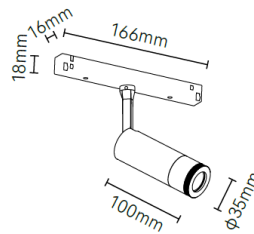
LED MAGNETIC TRACK LIGHT



EAS-TRK30-S359/357 SERIES

Technical Details

- Track installation, exquisite appearance, focusing de sign, beam angle c an be adjusted from 12 ° to 36 ° to meet different space needs.
- Material: Aluminum
- 50,000 Hours Lifespan
- CRI>90
- SDCM 3
- Optical accessories available
- IP Rate: IP20



COB LED

POWER	CCT	LUMEN OUTPUT	BEAM ANGLE	COLOUR FINISH	CONTROL GEAR (LED DRIVER)
7W	2700K 3000K 4000K 5000K	112~143LM	12° 36°	White Black	Non Dimmable DALI Dimmable 1-10V Dimmable

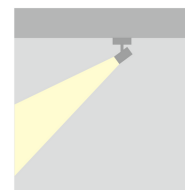
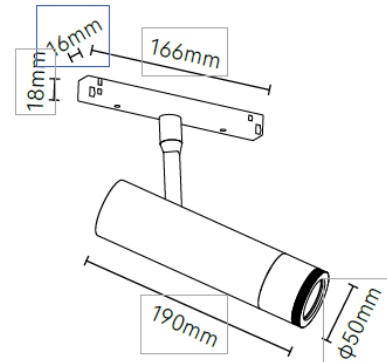
LED MAGNETIC TRACK LIGHT



EAS-TRK30-S504

Technical Details

- Track installation, solid appearance, focusing design, beam angle can be adjusted between 18° and 50° , provide more luminous flux and illumination.
- Material: Aluminum
- 50,000 Hours Lifespan
- CRI>90
- SDCM 3
- Optical accessories available
- IP Rate: IP20



COB LED

POWER	CCT	LUMEN OUTPUT	BEAM ANGLE	COLOUR FINISH	CONTROL GEAR (LED DRIVER)
12W	2700K 3000K 4000K 5000K	237~327LM	18° 50°	White Black	Non Dimmable DALI Dimmable 1-10V Dimmable

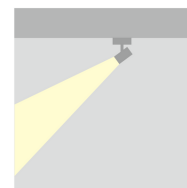
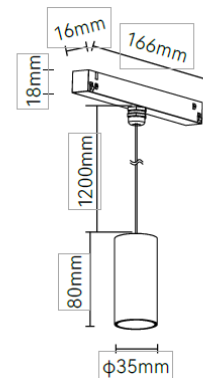
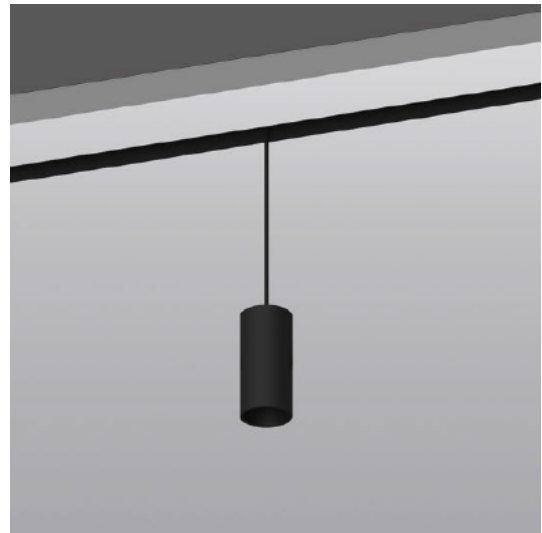
LED MAGNETIC TRACK LIGHT



EAS-TRK30-S355

Technical Details

- Track installation, pendant design with small and exquisite lighting body can bring you a delicate style of space.
- Material: Aluminum
- 50,000 Hours Lifespan
- CRI>90
- SDCM 3
- Optical accessories available
- IP Rate: IP20



COB LED

POWER	CCT	LUMEN OUTPUT	BEAM ANGLE	COLOUR FINISH	CONTROL GEAR (LED DRIVER)
5W	2700K 3000K 4000K 5000K	352~381LM	15° 24° 33°	White Black	Non Dimmable DALI Dimmable 1-10V Dimmable

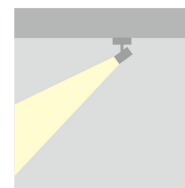
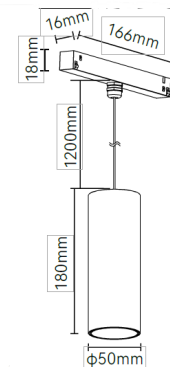
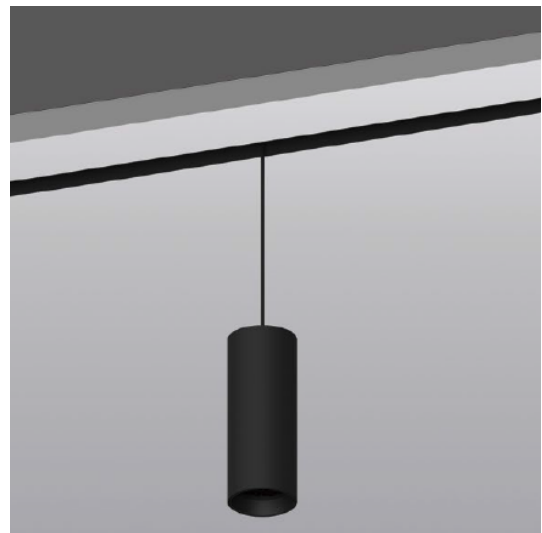
LED MAGNETIC TRACK LIGHT



EAS-TRK30-S503

Technical Details

- Track installation, pendant design, taking into account the main lighting and decorative lighting, can make the space become simple and generous.
- Material: Aluminum
- 50,000 Hours Lifespan
- CRI>90
- SDCM 3
- Optical accessories available
- IP Rate: IP20



COB LED

POWER	CCT	LUMEN OUTPUT	BEAM ANGLE	COLOUR FINISH	CONTROL GEAR (LED DRIVER)
12W	2700K 3000K 4000K 5000K	802~864LM	15° 24° 38°	White Black	Non Dimmable DALI Dimmable 1-10V Dimmable

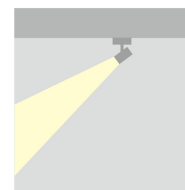
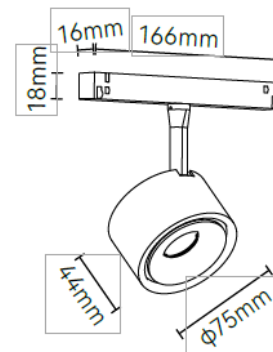
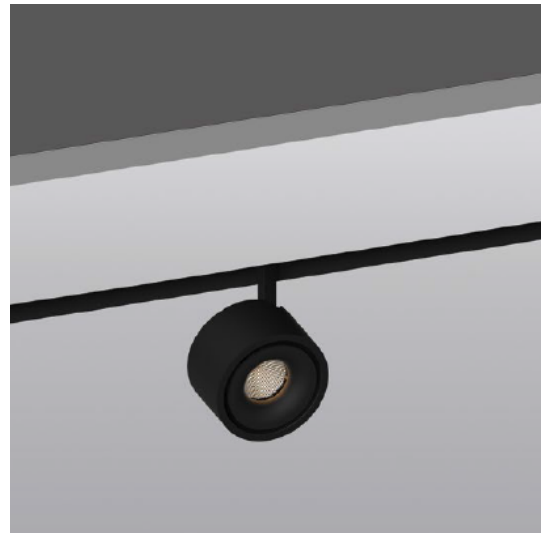
LED MAGNETIC TRACK LIGHT



EAS-TRK30-S751

Technical Details

- Track installation, "probe" shape design makes the space full of fun.
- Material: Aluminum
- 50,000 Hours Lifespan
- CRI>90
- SDCM 3
- Optical accessories available
- IP Rate: IP20



COB LED

POWER	CCT	LUMEN OUTPUT	BEAM ANGLE	COLOUR FINISH	CONTROL GEAR (LED DRIVER)
7W	2700K 3000K 4000K 5000K	416~478LM	18° 40°	White Black	Non Dimmable DALI Dimmable 1-10V Dimmable

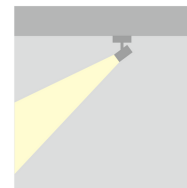
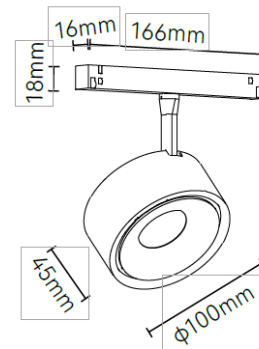
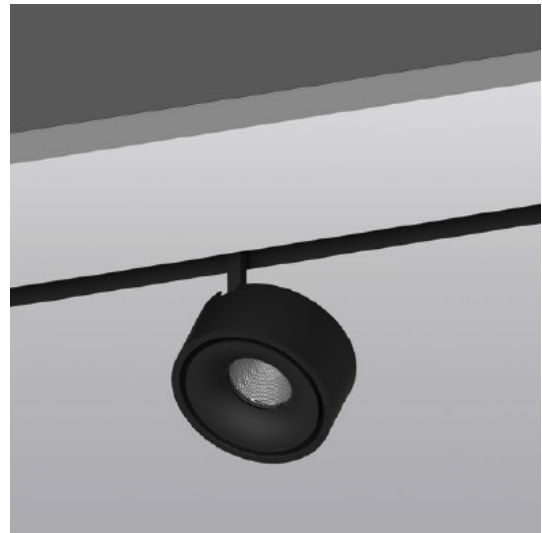
LED MAGNETIC TRACK LIGHT



EAS-TRK30-S1001

Technical Details

- Track installation, "probe" shape design, "micro fat" structure, can provide more luminous flux and illumination.
- Material: Aluminum
- 50,000 Hours Lifespan
- CRI>90
- SDCM 3
- Optical accessories available
- IP Rate: IP20



COB LED

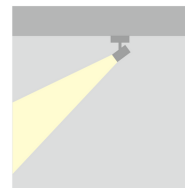
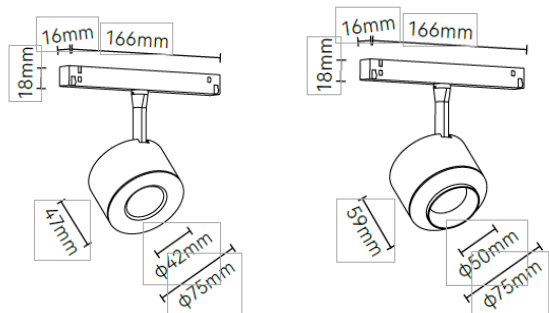
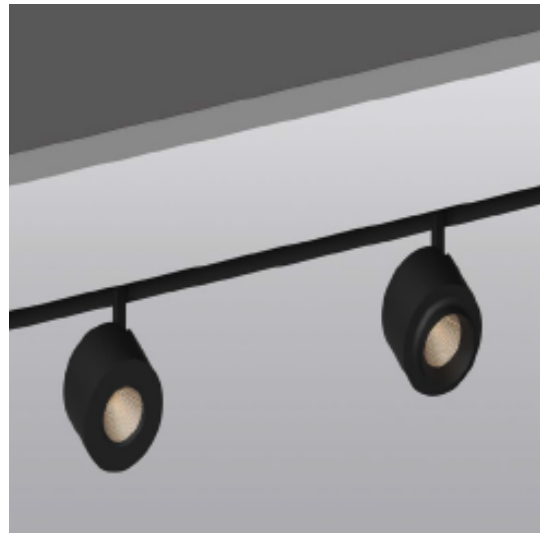
POWER	CCT	LUMEN OUTPUT	BEAM ANGLE	COLOUR FINISH	CONTROL GEAR (LED DRIVER)
15W	2700K 3000K 4000K 5000K	883~926LM	18° 25° 36° 60°	White Black	Non Dimmable DALI Dimmable 1-10V Dimmable

LED MAGNETIC TRACK LIGHT

EAS-TRK30-S752/S753 SERIES

Technical Details

- Track installation, "probe" shape design, different styles of magnetic suction ring, create more fun to the space.
- Material: Aluminum
- 50,000 Hours Lifespan
- CRI>90
- SDCM 3
- Optical accessories available
- IP Rate: IP20



COB LED

POWER	CCT	LUMEN OUTPUT	BEAM ANGLE	COLOUR FINISH	CONTROL GEAR (LED DRIVER)
7W	2700K 3000K 4000K 5000K	368~463LM	15° 24° 30°	White Black	Non Dimmable DALI Dimmable 1-10V Dimmable

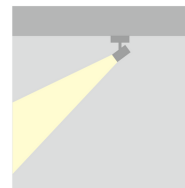
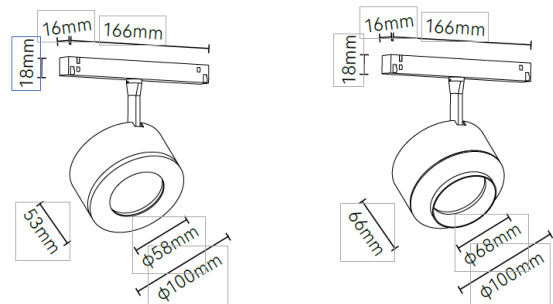
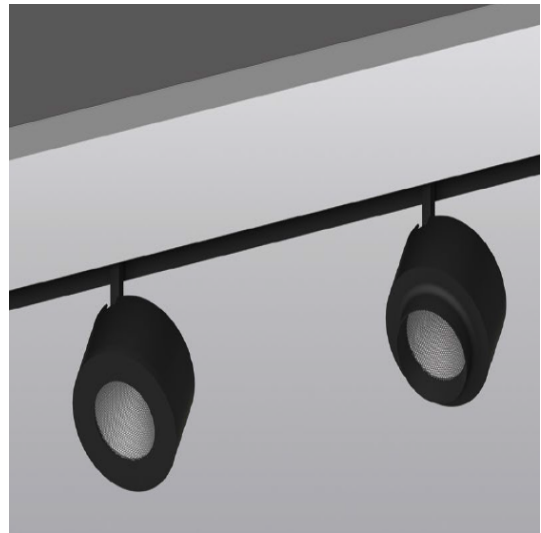
LED MAGNETIC TRACK LIGHT



EAS-TRK30-S1002/S1003 SERIES

Technical Details

- Track installation, "probe" shape design, "micro fat" structure, different styles of magnetic suction ring, can provide more modeling options, luminous flux and illumination.
- Material: Aluminum
- 50,000 Hours Lifespan
- CRI>90
- SDCM 3
- Optical accessories available
- IP Rate: IP20



COB LED

POWER	CCT	LUMEN OUTPUT	BEAM ANGLE	COLOUR FINISH	CONTROL GEAR (LED DRIVER)
15W	2700K 3000K 4000K 5000K	809~871LM	18° 25° 36° 60°	White Black	Non Dimmable DALI Dimmable 1-10V Dimmable



CONTACT US

www.easi-me.com

info@easi-me.com

+971 4 333 8814